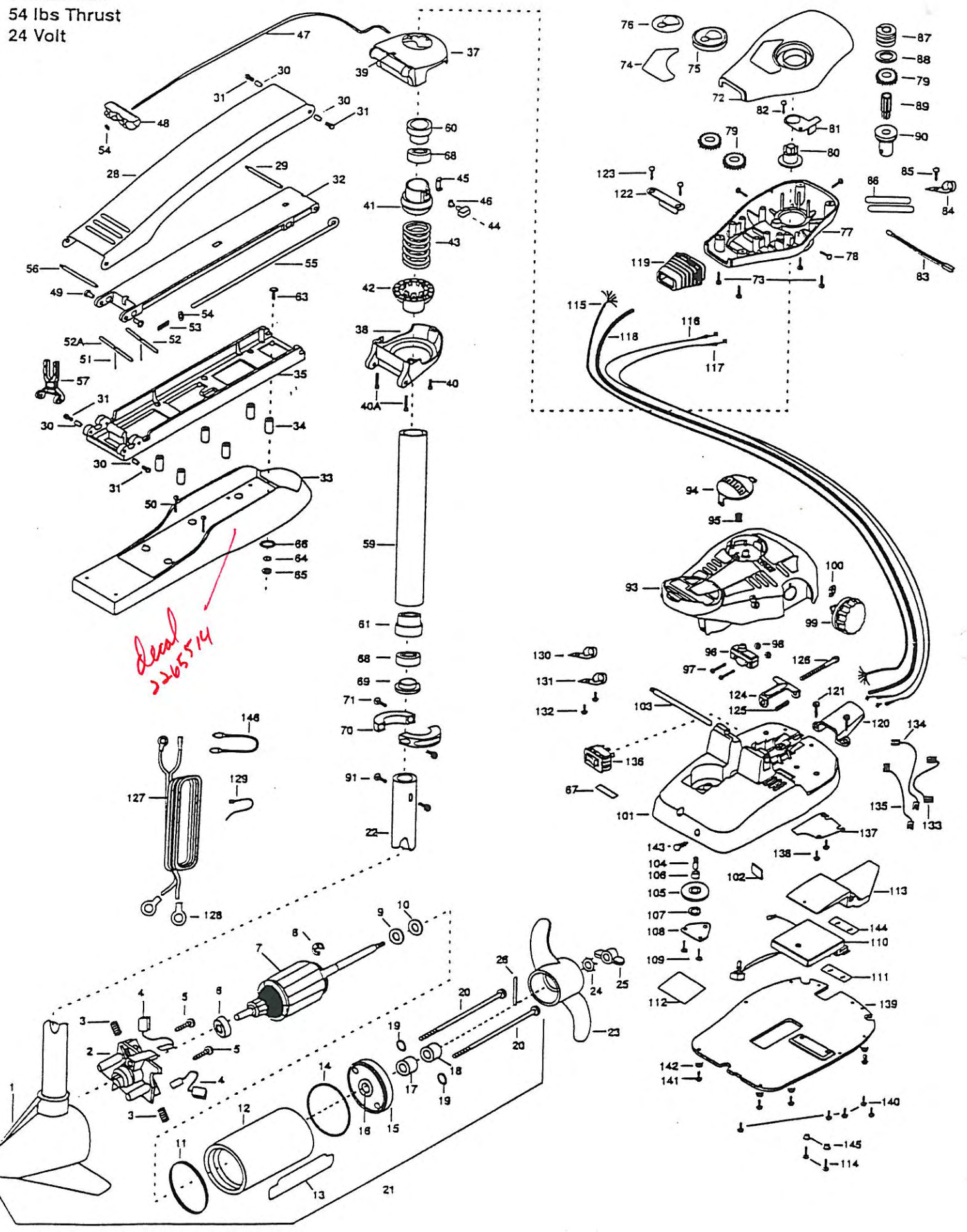


54 lbs Thrust
24 Volt



For any parts ordered from Card MasterCard or VISA, please use the correct part numbers from the parts list. Payment for MINN KOTA parts department, may be by cash, personal check, Discover or order, call 1-800-227-8433 or FAX 1-800-527-4464.

Ne pas oublier de fournir les numéros de Modèle et de Série de votre Moteur lorsque vous placez une commande. Employez toujours le numéro de pièce exact se trouvant sur la liste des pièces de remplacement.

Não deixe de incluir o número do MODELO e o número da SÉRIE do seu motor ao pedir peças. Sempre use os números corretos das peças da lista de

1	400023	PLAIN ENDBELL	52A	2233602	LOCK BAR- BOW MOUNT REAR	*104	2260515	PIN-PULLEY-AXLE
2	408403	BRUSH PLATE ASSEMBLY	53	2152700	SPRING-(LOCKBAR)	105	2262300	PULLEY (FOOT PEDAL)
3	406082	BRUSH SPRING (2 REQ'D)	54	2151700	WASHER-EYE SHAFT .682 OD	108	2260000	BEARING-PULLEY
4	406071	BRUSH ASSEMBLY	55	2153603	EYE SHAFT (42" SHAFT)	107	2261705	WASHER-NYLATRON
5	406342	BRUSH PLATE SCREW (2 REQ'D)	56	2260508	HINGE-PIN (HEADLESS) ZINC	108	2268400	COVER-PULLEY
6	406010	BALL BEARING	57	2293810	YOKE, MAXXUM MOUNT	109	2301310	SCREW-8-18 X 1/2 (2 REQ'D)
7	406207	ARMATURE ASSEMBLY 64 MAXXUM	58	2092015	TUBE W/BEARING RACE (42" SHAFT)	110	2284009	CONTROL BOARD ASSEMBLY 24V
8	405300	E-RING	*59	2272088	TUBE OUTER 18" - ORDER 58	111	2365108	INSULATING PAD (1.1 X 2.75)
9	408170	THRUST WASHER- STEEL (AS REQ'D)	60	2268260	BEARING RACE	112	2365107	INSULATING PAD (2.3 X 3.2)
10	405171	THRUST WASHER- NYLON (AS REQ'D)	61	2268220	BEARING RACE-STEEL	113	2264018	HEAT SINK, MAXXUM FT
11	408490	GASKET	62	2094830	BAG ASSEMBLY-MAXXUM FW	114	2263434	SCREW-8-18 X 1 (2 REQ'D)
12	409253	CENTER SECTION W/MAGNETS	*63	2263431	SCREW 1/4-20 X 3.5 (8 REQ'D) ORDER 82	115	2261217	WIRE HARNESS
13	2006801	DECAL-LOWER UNIT	*63A	2263435	SCREW 1/4-20 X 3.5 (2 REQ'D) ORDER 82	116	2267500	CABLE ASSEMBLY-RIGHT (5')
14	408470	O-RING	*64	2261713	WASHER-1/4 FLAT (3 REQ'D) ORDER 82	117	2267510	CABLE ASSEMBLY-LEFT (5')
15	408033	BRUSH END HOUSING	*65	2263102	NUT-1/4-20 (8 REQ'D) ORDER 82	118	2265430	CABLE JACKET (5')
16	406600	FLANGE BEARING (SERVICE ONLY)	*68	2301720	WASHER-MOUNTING, RUBBER (6 REQ'D) ORDER 82	119	2265110	BOOT-CONTROL BOX
17	408481	SEAL	67	2268610	DECAL-ON/OFF SWITCH	120	2265115	BOOT-FOOT PEDAL BASE
18	406471	SEAL- CUP	68	2268000	BEARING BALL-STEEL (2 REQ'D)	121	2262113	SCREW-8-18 X 1/2 FT.PDL (2 REQ'D)
19	405482	O-RING - THRU BOLT (2 REQ'D)	69	2268115	BEARING CONE	122	2261900	BRACKET-CONDUIT
20	408353	THRU BOLT (2 REQ'D)	70	2771815	COLLAR HALVES KIT	123	2263434	SCREW 8-18X1 (2 REQ'D)
21	2099021	MOTOR-ASSEMBLY 64MAX 42"	71	2263450	SCREW-10-24 X 7/8 (2 REQ'D)	124	2263210	BRACKET-CONDUIT ADJUSTMENT
22	2032083	TUBE-COMPOSITE 42"	72	2260283	CONTROL BOX COVER-MAXXUM	125	2262720	SPRING-CONDUIT ADJUSTMENT
23	2097760	PROPELLER (W.WEDGE) <i>2091150</i>	73	2372100	SCREW-8-18 X 5/8 (4 REQ'D)	126	2263480	SCREW-1/4-20 X 2"
24	2051700	LOCKWASHER-PROP	74	2265528	DECAL COVER, MAXXUM 54	127	2261227	LEADWIRE -VARIABLE
25	2093100	NUT-PROP	75	2260150	POINTER DISC TRNSL CNT RED	128	2020700	TERMINAL RING, 3/8" (2 REQ'D)
26	2092600	PIN-DRIVE	76	2265800	DECAL-INDICATOR	129	2256300	TIE WRAP-5.5" BLACK
27	2771975	MOUNT, BOW ASSEMBLY (42" SHAFT)	77	2262530	CONTROL BOX-PLASTIC	130	2263201	CLAMP WIRE HARNESS MICRO
28	2284208	ARM UPPER-FW (42" SHAFT)	78	2262109	SCREW-8-32 X 1/2 (3 REQ'D)	131	2263200	CLAMP-WIRE HARNESS
29	2260507	HINGE PIN (THREADED)	79	2267800	GEAR-INDICATOR (3 REQ'D)	132	2332103	SCREW-8-20 X 3/8 (2 REQ'D)
30	2293501	BUSHING (4 REQ'D)	80	2262220	INDICATOR-DRIVE	133	2260318	CONNECTING WIRE (VAR.SPD)
31	2263500	BOLT, SHOULDER (4 REQ'D)	81	2261805	BRACKET/INDICATOR	134	2260311	CONNECTING WIRE 19 1/4"
32	2774311	ARM-LOWER FW (42" SHAFT)	82	2301310	SCREW-8-18 X 1/2	135	2260321	CONNECTING WIRE-VARIABLE
33	2090268	MOTOR REST ASSEMBLY (42" SHAFT)	83	2264015	LIGHT/INDICATOR	136	2254031	SWITCH-MOW/OFF/COM
34	2261506	SPACER, MOTOR REST (8 REQ'D)	84	2263201	CLAMP WIRE HARNESS	137	2268412	SWITCH PLATE, FT PEDAL
35	2251982	BOW PLATE (42" SHAFT)	85	2301310	SCREW-8-18 X 1/2	138	2332103	SCREW-8-20 X 3/8 (2 REQ'D)
36	2271935	BRACKET ASSEMBLY (INCL 37-48)	86	2355410	SHRINK TUBE-3/8 CD X 2" (2 REQ'D)	139	2264510	BOTTOM PLATE, MAXXUM
*37	2261937	BRACKET BASE-TOP	87	2232360	PULLEY-CABLE DRUM	140	2303412	SCREW-8-20 X 5/8 (5 REQ'D)
*38	2261927	BRACKET BASE BOTTOM	88	2261730	WASHER-NYLON	141	2263455	SCREW #12-14X1/2 (4 REQ'D)
*39	2232351	EYELET-ROPE	*89	2267805	PINION DRIVE	142	2265128	BUMPER PAD, FOOT PEDAL (4 REQ'D)
*40	2263402	SCREW 1/4-20 X 3/4	*90	2268248	TOP BEARING RACE	143	2262851	PUSH PIN
*40A	2263420	BOLT 1/4-20 X 2	91	2263410	SCREW-8-32 X 5/16 (2 REQ'D)	144	2265105	INSULATING PAD
*41	2261620	SPRING-SLEEVE UPPER	92	2092022	FOOT PEDAL ASSEMBLY MAX -24V	145	2261712	SHOLDER WASHER (2 REQ'D)
*42	2261630	SPRING-SLEEVE LWR	93	2700002	FOOT PEDAL/PLUG ASSEMBLY	146	2090820	CONNECTOR CABLE
*43	2262702	SPRING, BOWGUARD, NIK PL	94	2263700	PUSH-BUTTON, FOOT PEDAL			
44	2011385	SCREW-TENSION/NEW KNOB	95	2302732	SPRING-LOWER PEDAL			
*45	2262800	TENSION BLOCK -ALUM	96	2264023	SWITCH-SEALED ASSEMBLY			
*46	2263100	NUT-1/4-20 INSERT	97	2262114	SCREW-MOUNTING/SWITCH (2 REQ'D)			
47	2251601	ROPE- 40"	98	2233100	NUT-SWITCH MOUNT (2 REQ'D)			
48	2150400	PULL-GRIP	99	2260160	KNOB-SPEED CONTROL			
49	2236000	BEARING NYLINER (2 REQ'D)	100	2263000	E-RING			
50	2363434	SCREW-8-18X1 (2 REQ'D)	101	2774550	FOOT PEDAL BASE ASSEMBLY (INCL. 101,102,104)			
51	2152810	SPRING-PIN (LOCKBAR) (2 REQ'D)	*102	2268413	PLATE-TENSION SCREW			
52	2233600	LOCK BAR- BOW MOUNT	103	2260511	PIN-PIVOT			

* This item is part of an assembly. This item cannot be sold separately due to machining and/or assembly that is required.

54 MAXXUM

