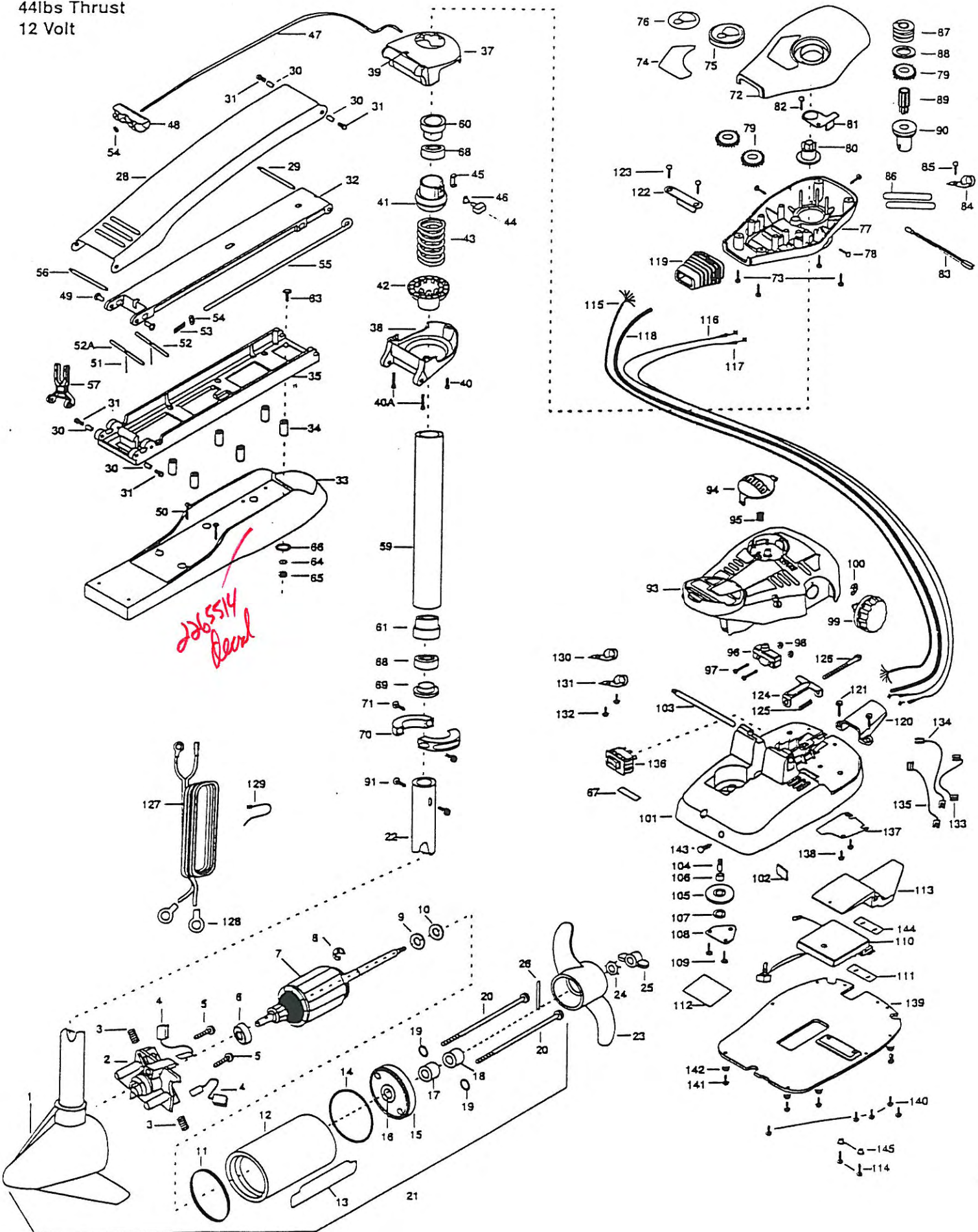


44lbs Thrust
12 Volt



For any parts ordered from MINN KOTA parts department, may be by cash, personal check, Discover Card MasterCard or VISA order, call 1-800-227-8433 or FAX 1-800-527-4464.

Employez le numéro de pièce exact se trouvant sur la liste de remplacement.

Use the correct part numbers from the parts list. Payment should be made in the correct form of payment. For any parts ordered from MINN KOTA parts department, may be by cash, personal check, Discover Card MasterCard or VISA order, call 1-800-227-8433 or FAX 1-800-527-4464.

1	408023	PLAIN ENDBELL	51	2152810	SPRING-PIN (LOCKBAR) (2 REQ'D)	100	2283000	E-RING
2	408403	BRUSH PLATE ASSEMBLY	62	2233600	LOCK BAR- BOW MOUNT	101	2774550	FOOT PEDAL BASE ASSEMBLY (INCL. 101,102,104)
3	406082	BRUSH SPRING (2 REQ'D)	62A	2233602	LOCK BAR- BOW MOUNT REAR	*102	2286413	PLATE-TENSION SCREW
4	406071	BRUSH ASSEMBLY	53	2162700	SPRING-(LOCKBAR)	103	2280511	PIN-PIVOT
5	408342	BRUSH PLATE SCREW (2 REQ'D)	54	2151700	WASHER-EYE SHAFT .562 OD	*104	2280516	PIN-PULLEY-AXLE
6	406010	BALL BEARING	55	2153603	EYE SHAFT (42" SHAFT)	105	2282300	PULLEY (FOOT PEDAL)
7	406208	ARMATURE ASSEMBLY	58	2260508	HINGE-PIN (HEADLESS) ZINC	108	2280000	BEARING-PULLEY
8	405300	E RING	57	2293810	YOKE, MAXXUM MOUNT	107	2281705	WASHER-NYLATRON
9	408170	THRUST WASHER- STEEL (AS REQ'D)	58	2992015	TUBE W/BEARING FACE (42" SHAFT)	108	2268400	COVER-PULLEY
10	405171	THRUST WASHER- NYLON (AS REQ'D)	*59	2272088	TUBE OUTER 18" -ORDER 58	109	2301310	SCREW-8-18 X 1/2 (2 REQ'D)
11	408490	GASKET	60	2288280	BEARING FACE	110	2284005	CONTROL BOARD ASSEMBLY 12V
12	402259	CENTER SECTION W/MAGNETS	61	2288220	BEARING FACE-STEEL	111	2385108	INSULATING PAD (1.1 X 2.75)
13	2006601	DECAL-LOWER UNIT	62	2994830	BAG ASSEMBLY-MAXXUM FW	112	2385107	INSULATING PAD (2.3 X 3.2)
14	408470	O RING	*63	2283431	SCREW 1/4-20 X 3.5 (8 REQ'D) ORDER 82	113	2284018	HEAT SINK, MAXXUM FT
15	406033	BRUSH END HOUSING	*63A	2283435	SCREW 1/4-20 X 3.5 (2 REQ'D) ORDER 82	114	2283434	SCREW-8-18 X 1 (2 REQ'D)
16	406800	FLANGE BEARING (SERVICE ONLY)	*64	2281713	WASHER-1/4 FLAT (8 REQ'D) ORDER 82	115	2281217	WIRE HARNESS
17	408481	SEAL	*65	2283102	NUT-1/4-20 (8 REQ'D) ORDER 82	116	2287500	CABLE ASSEMBLY-RIGHT (5')
18	408471	SEAL- CUP	*68	2301720	WASHER-MOUNTING, RUBBER (8 REQ'D) ORDER 82	117	2287510	CABLE ASSEMBLY-LEFT (5')
19	405482	O-RING - THRU BOLT (2 REQ'D)	87	2288810	DECAL-ON/OFF SWITCH	118	2285430	CABLE JACKET (5')
20	408353	THRU BOLT (2 REQ'D)	88	2268000	BEARING BALL-STEEL (2 REQ'D)	119	2285110	BOOT-CONTROL BOX
21	2099083	MOTOR-ASSEMBLY 44MAX	89	2268115	BEARING CONE	120	2285115	BOOT-FOOT PEDAL BASE
22	2032083	TUBE- COMPOSITE 42"	70	2771815	COLLAR HALVES KIT	121	2282113	SCREW-8-18 X 1/2 FT.PDL (2 REQ'D)
23	2091150	PROPELLER (W/WEDGE)	71	2283450	SCREW-10-24 X 7/8 (2 REQ'D)	122	2281900	BRACKET-CONDUIT
24	2051700	LOCKWASHER-PROP	72	2280283	CONTROL BOX COVER-MAXXUM	123	2283434	SCREW 8-18X1 (2 REQ'D)
25	2053100	NUT-PROP	73	2372100	SCREW-8-18 X 5/8 (4 REQ'D)	124	2283210	BRACKET-CONDUIT ADJUSTMENT
26	2092600	PIN DRIVE	74	2285531	DECAL COVER, MAXXUM 44	125	2282720	SPRING-CONDUIT ADJUSTMENT
27	2771975	MOUNT, BOW ASSEMBLY (42" SHAFT)	75	2280150	POINTER DISC TRANSLCNT RED	128	2283460	SCREW-1/4-20 X 2"
28	2284208	ARM UPPER-FW (42" SHAFT)	76	2285800	DECAL-INDICATOR	127	2281227	LEADWIRE -VARIABLE
29	2260507	HINGE PIN (THREADED)	77	2282530	CONTROL BOX-PLASTIC	128	2020700	TERMINAL RING, 3/8" (2 REQ'D)
30	2293501	BUSHING (4 REQ'D)	78	2282108	SCREW-8-32 X 1/2 (3 REQ'D)	129	2258300	TIE WRAP-5.5" BLACK
31	2283500	BOLT, SHOULDER (4 REQ'D)	79	2287800	GEAR-INDICATOR (3 REQ'D)	130	2283201	CLAMP WIRE HARNESS MICRO
32	2774311	ARM LOWER FW (42" SHAFT)	80	2282220	INDICATOR- DRIVE	131	2283200	CLAMP-WIRE HARNESS
33	2990268	MOTOR REST ASSEMBLY (42" SHAFT)	81	2281805	BRACKET/INDICATOR	132	2332103	SCREW-8-20 X 3/8 (2 REQ'D)
34	2281505	SPACER, MOTOR REST (8 REQ'D)	82	2301310	SCREW-8-18 X 1/2	133	2280318	CONNECTING WIRE (VAR.SPD)
35	2251082	BOW PLATE (42" SHAFT)	83	2284015	LIGHT/INDICATOR	134	2280311	CONNECTING WIRE 18 1/4"
36	2271995	BRACKET ASSEMBLY (INCL 37-48)	84	2283201	CLAMP WIRE HARNESS	135	2280321	CONNECTING WIRE-VARIABLE
*37	2281937	BRACKET BASE-TOP	85	2301310	SCREW-8-18 X 1/2	136	2254031	SWITCH-MOM/OFF/COM
*38	2281927	BRACKET BASE BOTTOM	86	2355410	SHRINK TUBE-3/8 CD X 2" (2 REQ'D)	137	2288412	SWITCH-PLATE, FT PEDAL
*39	2232351	EYELET-ROPE	87	2232360	PULLEY-CABLE DRUM	138	2332103	SCREW-8-20 X 3/8 (2 REQ'D)
*40	2283402	SCREW 1/4-20 X 3/4	88	2281730	WASHER-NYLON	139	2284510	BOTTOM PLATE, MAXXUM
*40A	2283420	BOLT 1/4-20 X 2 (2 REQ'D)	*89	2287805	PINION DRIVE	140	2303412	SCREW-8-20 X 5/8 (5 REQ'D)
*41	2281520	SPRING-SLEEVE UPPER	*90	2288248	TOP BEARING RACE:	141	2283455	SCREW #12-14X1/2 (4 REQ'D)
*42	2281530	SPRING SLEEVE LWR	91	2283410	SCREW-8-32 X 5/16 (2 REQ'D)	142	2285128	BUMPER PAD, FOOT PEDAL (4 REQ'D)
*43	2282702	SPRING, BOWGUARD, NIK PL	92	2992021	FOOT PEDAL ASSEMBLY MAX 44-12V	143	2282851	PUSH PIN
44	2011385	SCREW-TENSION/NEW KNOB	93	2780002	FOOT PEDAL/PLUG ASSEMBLY	144	2285105	INSULATING PAD
*45	2282800	TENSION BLOCK -ALUM	94	2283700	PUSH-BUTTON, FOOT PEDAL	145	2281712	SHOLDER WASHER (2 REQ'D)
*46	2283100	NUT-1/4-20 INSERT	95	2302732	SPRING-LOWER PEDAL			
47	2251601	ROPE- 40"	96	2284023	SWITCH-SEALED ASSEMBLY			
48	2150400	PULL-GRIP	97	2282114	SCREW-MOUNTING/SWITCH (2 REQ'D)			
49	2236000	BEARING NYLINER (2 REQ'D)	98	2233100	NUT-SWITCH MOUNT (2 REQ'D)			
50	2283434	SCREW-8-18X1 (2 REQ'D)	99	2260180	KNOB-SPEED CONTROL			

* This item is part of an assembly. This item cannot be sold separately due to machining and/or assembly that is required.

44MAXXUM

