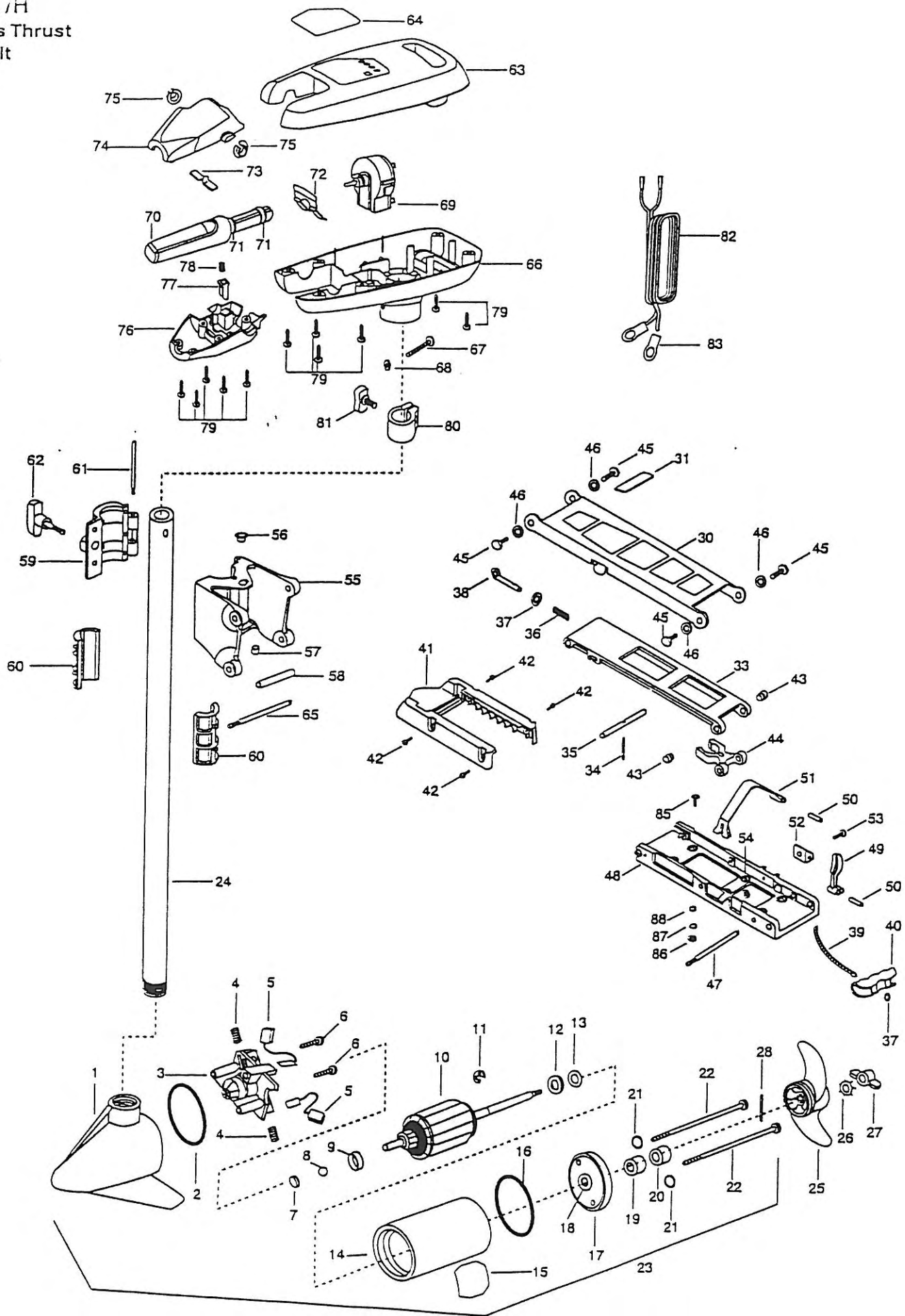


6BA1/H
36 lbs Thrust
12 Volt



Service Centers shown on the enclosed list. Be sure to provide the MODEL and SERIAL numbers of your motor when ordering parts. Please use the correct part numbers from the parts list. Payment for any parts ordered from the MINN KOTA parts department, may be made by cash, personal check, Discover Card, MasterCard or VISA. To order, call 1-800-227-6433 or FAX 1-800-527-4464.

para identificar o Centro de Serviço Autorizado MINN KOTA le plus proche. Ne pas oublier de fournir les numéros de Modèle et de Série de votre Moteur lorsque vous placez une commande. Employez toujours le numéro de pièce exact se trouvant sur la liste des pièces de remplacement.

para identificar o Centro de Serviço Autorizado MINN KOTA. Não deixe de incluir o número do MODELO e o número de SÉRIE do seu motor ao pedir peças. Sem estes números corretos das peças da lista de peças...

| Item | Part No. | Description | Item | Part No. | Description | Item | Part No. | Description |
|------|----------|-----------------------------------|------|----------|-----------------------------------|------|----------|-------------------------------------|
| 1 | 406-027 | Brush End Housing w/Spd Coll | *33 | 225-4342 | Arm- Lower (order Item 32) | 68 | 206-2551 | Control Box |
| 2 | 403-460 | O-Ring | 34 | 215-2610 | Spring Pin | 67 | 203-3400 | Screw 10-24 X 1-3/4 |
| 3 | 406-405 | Brush Plate w/ Bearing | 35 | 223-3600 | Lock Bar | 68 | 201-3110 | Hex Nut |
| 4 | 406-081 | Brush Spring (2 req'd) | 36 | 215-2700 | Spring-Lockbar | 69 | 206-4023 | Switch- 5 Spd, For/Rev |
| 5 | 406-072 | Brush Assembly (2 req'd) | 37 | 215-1700 | Washer- Eye Shaft (2 req'd) | 70 | 299-0911 | Handle Assembly w/ U-Joint |
| 6 | 406-341 | Brush Plate Screw (2 req'd) | 38 | 215-3600 | Eye Shaft | 71 | 206-0000 | Handle Bearing (2 req'd) |
| 7 | 403-050 | Thrust Disc | 39 | 225-1600 | Rope 31" | 72 | 230-2743 | Spring- Detent (Handle) |
| 8 | 403-010 | Thrust Ball | 40 | 215-0400 | Pull Grip | 73 | 230-2742 | Spring- Detent (Off) |
| 9 | 406-090 | Brush Holder | 41 | 226-3900 | Motor Rest | 74 | 206-0410 | Handle- Top Half |
| 10 | 405-205 | Armature Assembly | 42 | 230-3431 | Screw 1/4-20X5/8 (4 req'd) | 75 | 206-0005 | Bearing- Handle Pivot (2 req'd) |
| 11 | 405-300 | E-Ring | 43 | 223-6000 | Bearing- Nyloner (2 req'd) | 76 | 206-0415 | Handle- Lower Half |
| 12 | 406-170 | Thrust Washer- Steel (as req'd) | 44 | 229-3801 | Tube Lock | 77 | 230-3720 | Release Button |
| 13 | 405-171 | Thrust Washer- Nylon (as req'd) | 45 | 229-3511 | Bolt- Upper Arm (4 req'd) | 78 | 230-2745 | Spring- Release Button |
| 14 | 405-259 | Center Section w/Magnets | 46 | 229-3500 | Bushing- Shoulder (4 req'd) | 79 | 230-3412 | Screw 6-20 X5/8 (11 req'd) |
| 15 | 200-6609 | Decal | 47 | 223-0500 | Pin-Hinge | 80 | 203-1520 | Collar- Depth |
| 16 | 406-460 | O-Ring | 48 | 225-1942 | Bow Plate | 81 | 201-1365 | Screw- Collar/Knob |
| 17 | 406-035 | Plain End Housing | 49 | 226-7200 | Latch Lever | 82 | 209-0600 | Leadwire- w/ Rings |
| 18 | 406-600 | Flange Bearing (service only) | 50 | 226-0500 | Pin- Roll Latch Lever (2 req'd) | 83 | 202-0700 | Terminal Ring (2 req'd) |
| 19 | 406-461 | Seal | 51 | 226-3800 | Strap- Hold Down | 84 | 299-4803 | Bag Assembly (92—95) |
| 20 | 406-471 | Seal- cup | 52 | 226-1910 | Bracket- Hold Down Strap | *85 | 215-3501 | Mounting Bolt (4 req'd) |
| 21 | 401-462 | O-Ring- Thru Bolt (2 req'd) | 53 | 226-3440 | Screw 10-24 X3/4 | *86 | 215-3100 | Mounting Nut (4 req'd) |
| 22 | 405-352 | Thru Bolt (2 req'd) | 54 | 233-3101 | Nut- Hex | *87 | 215-1726 | Flat Washer (4 req'd) |
| 23 | 206-9041 | Motor Assembly | 55 | 226-1811 | Hinge Base | *88 | 230-1720 | Mounting Washer- Rubber (6 req'd) |
| 24 | 203-2053 | Tube 42" | *56 | 223-2350 | Eyelet- Rope | | | |
| 25 | 206-1125 | Propeller | *57 | 226-4705 | Insert-Hinge Base | | | |
| 26 | 205-1700 | Lockwasher | 58 | 223-1570 | Sleeve- Roller | | | |
| 27 | 205-3100 | Nut- Prop | 59 | 226-1821 | Hinge Door | | | |
| 28 | 209-2600 | Pin- Drive | 60 | 215-1531 | Hinge Sleeve Half (2 req'd) | | | |
| 29 | 299-1970 | Std BowMt FW H/Ctrl (30 — 62) | 61 | 226-2640 | Pin- Hinge Door | | | |
| 30 | 226-4201 | Arm- Upper | 62 | 226-0180 | Knob- Hinge Cover | | | |
| 31 | 226-5120 | Bumper | 63 | 226-0210 | Cover- Control Box | | | |
| 32 | 277-4302 | Arm- Lower Assembly (33 — 40) | 64 | 218-5600 | Decal- Cover | | | |
| | | | 65 | 226-0506 | Hinge Pin- Headless | | | |

PARTS LIST

36AT/H

* This item is part of an assembly. This item cannot be sold separately due to machining and /or assembly that is required.

