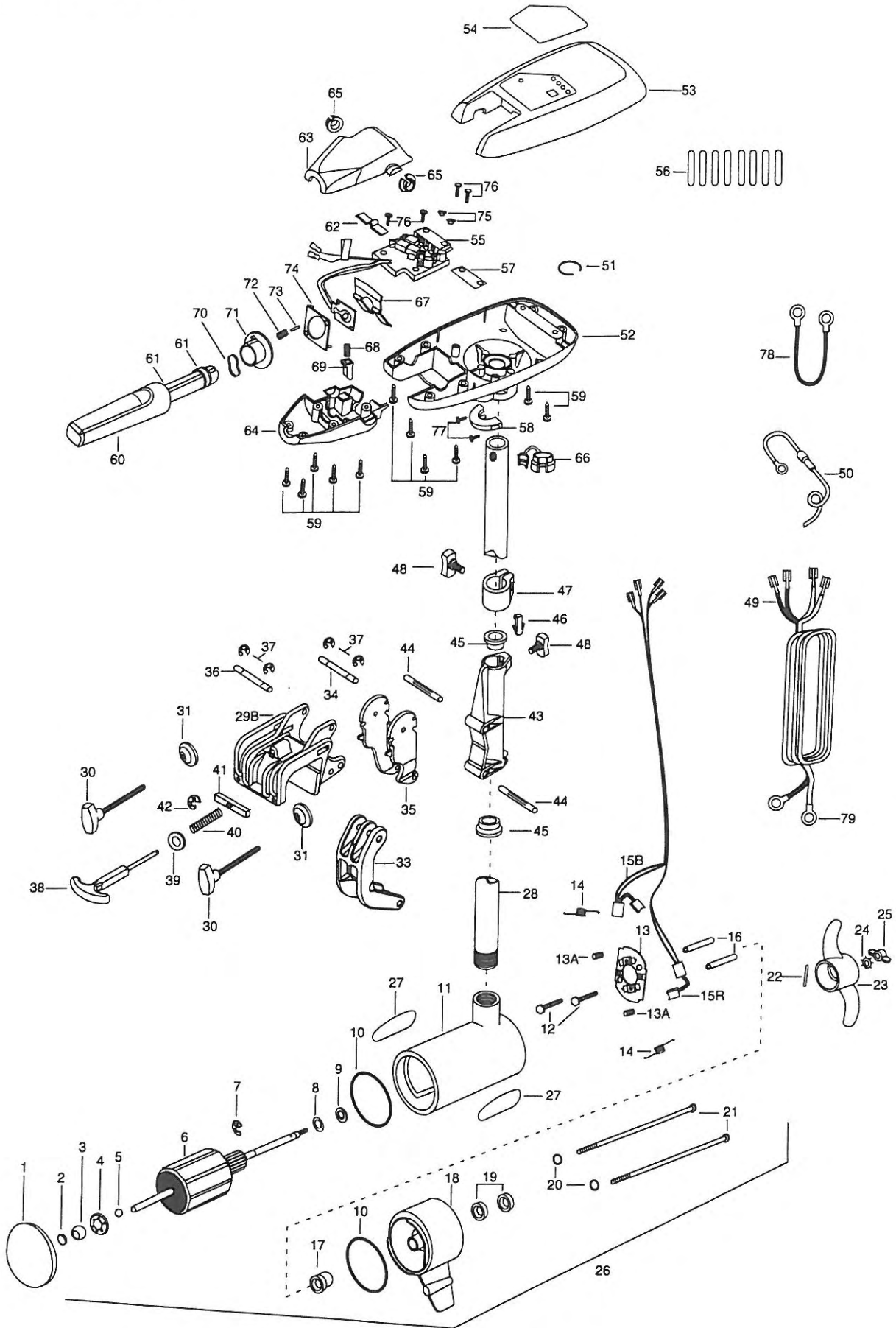


# RT55/S RT70/S



In the U.S.A., replacement parts may be ordered directly from MINN KOTA Parts Dept., JWA North America, 1531 E. Madison Avenue, Mankato, Minnesota 56001. In Canada, parts may be ordered from any of the Canadian Authorized Service Centers shown on the enclosed list. Be sure to provide the MODEL and SERIAL numbers of your motor when ordering parts. Please use the correct part numbers from the parts list. Payment for any parts ordered from the MINN KOTA parts department, may be by cash, personal check, Discover Card MasterCard, VISA, or UPS C.O.D. To order, call 1-800-227-6433 or FAX 1-800-527-4464.

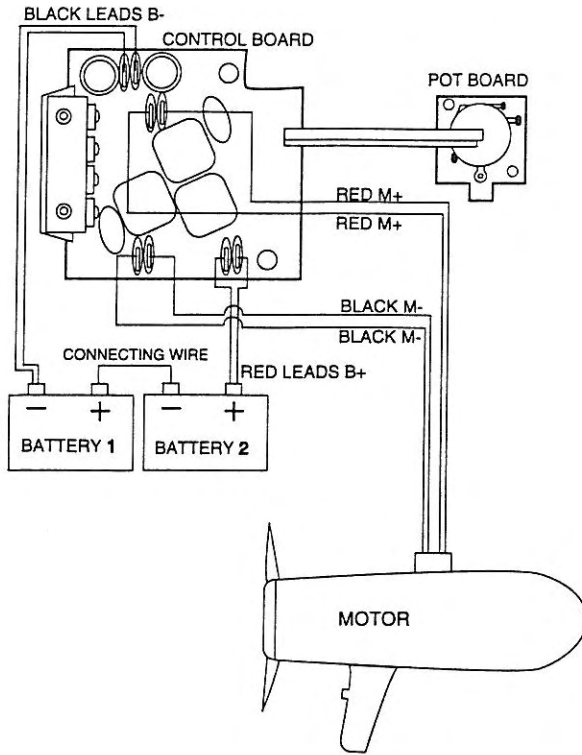
Hors de États-Unis, veuillez vous reporter à la liste ci-jointe pour le Centre de Service Agréé MINN KOTA le plus proche. Ne pas oublier de fournir les numéros de Modèle et de Série de votre Moteur lorsque vous placez une commande. Employez toujours le numéro de pièce exact se trouvant sur la liste des pièces de remplacement.

Fora da América do Norte, queira consultar a lista anexa para identificar o Centro de Serviço Autorizado MINN KOTA. Não deixe de incluir o número do MODELO e o número de SÉRIE do seu motor ao pedir peças. Sempre use os números corretos das peças da lista de peças.

Item	Part No.	Description	Item	Part No.	Description	Item	Part No.	Description
1	409-025	Front Endbell	30	201-1376	Screw- Clamp Knob SS ( 2 req'd )	65	206-0005	Bearing- Handle Pivot ( 2 req'd )
2	406-050	Thrust Disc	31	233-1700	Washer- Clamp Screw ( 2 req'd )	66	233-2900	Strain Relief- C. Cord
3	409-600	Spherical Bearing	33	203-4301	Arm-Link Lower	67	230-2743	Spring Handle Tilt Detent
4	409-301	Bearing Retainer	34	203-0502	Pin- Pivot Lower Arm	68	230-2745	Spring- Release Button
5	405-010	Ball Bearing	35	203-4201	Arm- Link Upper	69	230-3720	Release Button- Handle
6	410-204	Armature Assembly RT55/S	36	203-0501	Pin- Pivot Upper Arm	70	230-2741	Spring- Cam
6	410-205	Armature Assembly RT70/S	37	226-3011	E-Ring 3/8" ( 4 req'd )	71	230-2850	Actuator- Cam
7	409-300	E-Ring	38	203-0981	Handle- Tilt	72	230-2740	Spring- Actuator
8	409-170	Thrust Washer- Steel ( as req'd )	39	203-1701	Washer- Spring Seat	73	230-2600	Pin- Actuator
9	409-171	Thrust Washer- Nylatron ( as req'd )	40	201-2701	Spring- Lockbar	74	230-2851	Actuator- Forward/Reverse
10	409-460	O-Ring ( 2 req'd )	41	203-3605	Lockbar	75	230-1710	Washer- Insulated ( 2 req'd )
11	409-258	Center Section w/ Magnets	42	203-3011	E-Ring 5/32"	76	237-2100	Screw 5/8" ( 4 req'd )
12	405-341	Brush Plate Screw ( 2 req'd )	43	203-2020	Tube- Guide	77	230-1310	Screw 1/2" ( 2 req'd )
13	409-401	Brush Plate Assembly	44	203-0500	Pin- Pivot Tube ( 2 req'd )	78	234-0610	Connector Cable- 24v only ( RT70/S )
13A	409-343	Brush Set Screw ( 2 req'd )	45	203-7300	Bushing- Hinge ( 2 req'd )	79	2090700	Replacement Ring Terminals ( 2 req'd )
14	406-083	Brush Spring ( 2 req'd )	46	203-2800	Tension Block			
15B	409-072	Brush Assembly- Black ( 36"/42" )	47	203-1520	Collar- Depth			
15R	409-071	Brush Assembly- Red ( 36"/42" )	48	201-1366	Screw- Collar/Knob ( 2 req'd )			
16	405-151	Brush Plate Spacer ( 2 req'd )	49	233-0600	Leadwire- w/ Ring Terminals			
17	409-000	Flange Bearing	50	206-0310	Fused Ground Wire			
18	409-034	Rear Endbell	51	230-3001	Ring- Pig			
19	409-461	Seal ( 2 req'd )	52	206-2584	Control Box			
20	409-462	O-Ring- Thru Bolt ( 2 req'd )	53	230-0227	Control Box Cover			
21	409-352	Thru Bolt ( 2 req'd )	54	209-5615	Decal- Cover ( RT55/S )			
22	209-2600	Pin- Drive	54	209-5616	Decal- Cover ( RT70/S )			
23	233-1120	Propeller	55	233-4005	Control Board Assembly ( RT55/S )			
24	209-1700	Lockwasher	55	234-4005	Control Board Assembly ( RT70/S )			
25	209-3100	Nut- Prop	56	230-5400	Shrink Tube 3/8" OD ( 8 req'd )			
26	233-7080	Motor Assembly ( RT55/S-36"/42" )	57	236-5105	Insulating Pad			
26	231-7040	Motor Assembly ( RT70/S-36"/42" )	58	206-1511	Collar- Control Box			
27	206-6649	Decal- Riptide ( 2 req'd )	59	203-3412	Screw 5/8" ( 11 req'd )			
28	203-2057	Tube ( 36" )	60	299-0915	Handle Assembly- Complete			
28	203-2053	Tube ( 42" )	61	206-0000	Bearing- Handle ( 2 req'd )			
29	299-1963	Bracket-Kota Stow Assembly SW	62	230-2742	Spring- Detent ( Off )			
29A*	277-1909	Bracket Assembly ( includes 29B-32 )	63	206-0411	Handle- Top Half			
29B*	203-1922	Bracket- Die Cast Painted ( order 29A )	64	206-0415	Handle- Lower Half			

\* This item is part of an assembly. This item cannot be sold separately due to machining and /or assembly that is required.

# RT70/S



---

# RT55/S

