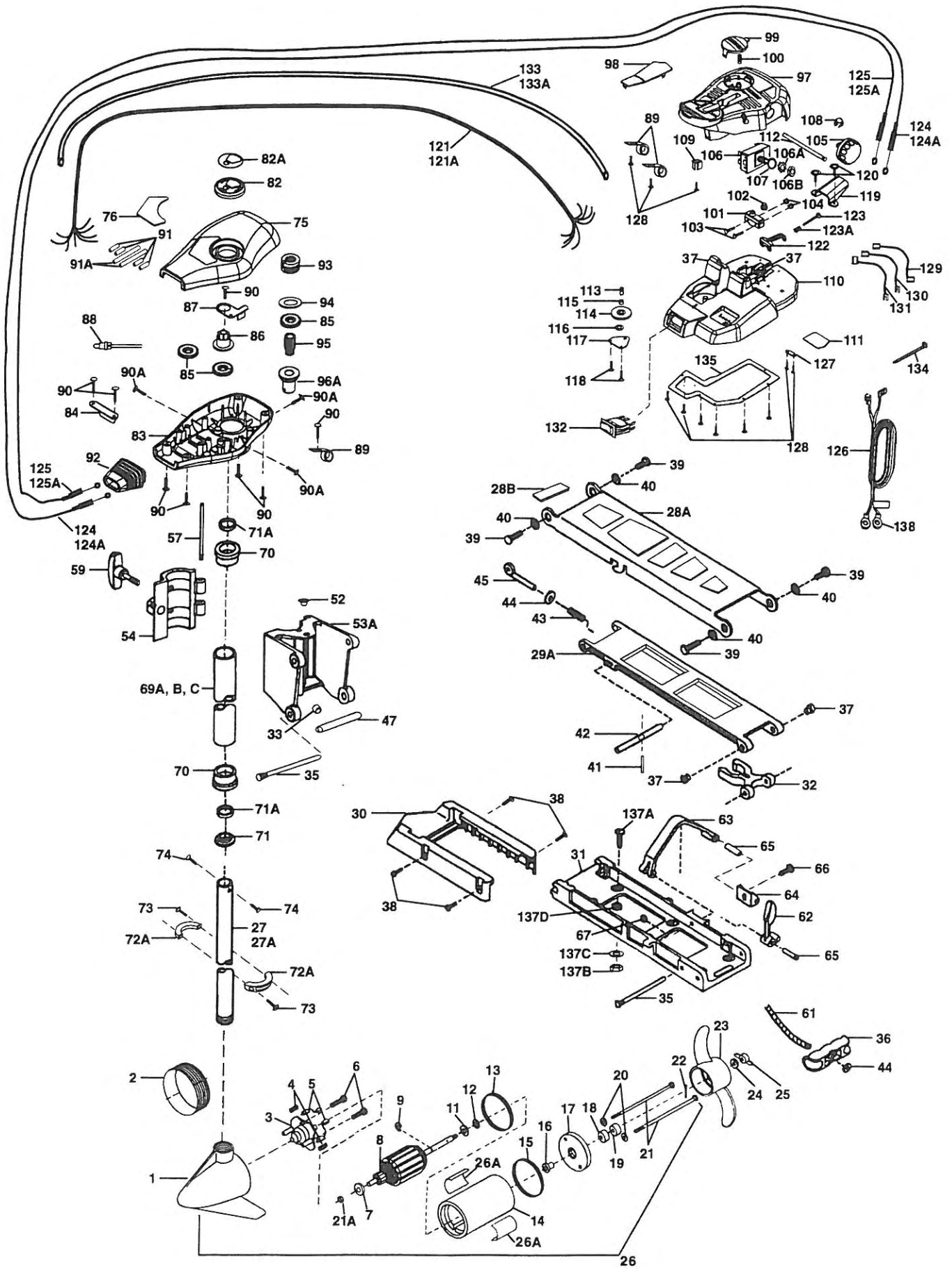


# PARTS DIAGRAM

30AT



# MODEL 30AT

## REPLACEMENT PARTS

In the U.S.A., replacement parts may be ordered from the Minn Kota Parts Dept., JWA North America, 1531 E. Madison Ave., Mankato, MN 56001. In Canada, parts may be ordered from any of the Canadian Authorized Service Centers shown on the enclosed list. Be sure to provide the MODEL and SERIAL numbers of your motor when ordering parts and please use the correct part Numbers from the Parts List. Payment for parts ordered from the Minn Kota Parts Dept. may be by cash, check, MasterCard, VISA card, or UPS C.O.D. To order call 1-800-227-6433.

| Item # | Part Number | Description                                      | Item # | Part Number | Description                                   |
|--------|-------------|--|--------|-------------|---|
| 1      | 406-024     | Front Endbell                                    | 74     | 226-3410    | Screw (2 req'd)                               |
| 2      | 405-246     | Speed Coil (Optional)                            | 75     | 226-0262    | Control Box Cover                             |
| 3      | 406-402     | Brush Plate Assembly                             | 76     | 226-5522    | Decal-Cover                                   |
| 4      | 406-081     | Brush Spring (2 req'd)                           | 82     | 226-0150    | Pointer Disc                                  |
| 5      | 406-072     | Brush Assembly (2 req'd)                         | 82A    | 226-5800    | Decal Indicator                               |
| 6      | 406-341     | Brush Plate Screw (2 req'd)                      | 83     | 226-2530    | Control Box                                   |
| 7      | 406-090     | Brushholder                                      | 84     | 226-1900    | Bracket                                       |
| 8      | 403-207     | Armature Assembly                                | 85     | 226-7800    | Gear Indicator (3 req'd)                      |
| 9      | 405-300     | E-Ring   | 86     | 226-2220    | Indicator-Drive                               |
| 11     | 406-170     | Thrust Washer (Steel)                            | 87     | 226-1905    | Bracket-Indicator                             |
| 12     | 405-171     | Thrust Washer (Nylon)                            | 88     | 226-4015    | Light-Indicator                               |
| 13     | 406-480     | Gasket   | 89     | 226-3200    | Clamp-Wire Harness (3 req'd)                  |
| 14     | 403-255     | Center Section W/ Magnets                        | 90     | 230-1310    | Screw (8 req'd)                               |
| 15     | 406-460     | O-Ring   | 90A    | 226-2109    | Screw (3 req'd)                               |
| 16     | 406-600     | Flange Bearing                                   | 91     | 237-5400    | Shrink Tube (4 req'd)                         |
| 17     | 406-032     | Rear Endbell                                     | 91A    | 235-5410    | Shrink Tube (2 req'd)                         |
| 18     | 406-461     | Seal   | 92     | 226-5110    | Boot-Control Box                              |
| 19     | 406-471     | Seal (Cup)                                       | 93     | 223-2360    | Pulley-Cable Drum                             |
| 20     | 401-462     | O-Ring (Thru Bolt) (2 req'd)                     | 94     | 226-1730    | Washer-Nylon                                  |
| 21     | 403-354     | Thru Bolt (2 req'd)                              | 95     | 226-7805    | Drive Pinion (Order Item #96)                 |
| 21A    | 403-010     | Ball Bearing                                     | 96     | 277-6203    | Top Bearing Race Assembly (Includes #95, 96A) |
| 21B    | 403-050     | Thrust Disc                                      | 96A    | 226-6245    | Bearing Race (Order Item #96)                 |
| 22     | 209-2600    | Drive Pin  | 97     | 226-4430    | Foot Pedal                                    |
| 23     | 206-1125    | Propeller  | 98     | 226-6700    | Plug  |
| 24     | 205-1700    | Lockwasher                                       | 99     | 226-3700    | Push Button                                   |
| 25     | 205-3100    | Prop Nut   | 100    | 230-2732    | Spring  |
| 26     | 203-9071    | Motor Assembly Complete (42 Std.) (48" Optional) | 101    | 226-4020    | Switch Momentary                              |
| 26A    | 206-6641    | Motor Decal (2 req'd)                            | 102    | 226-5140    | Boot-Switch                                   |
| 27     | 203-2063    | Tube 42"   | 103    | 226-2114    | Screw (2 req'd)                               |
| 27A    | 203-2064    | Tube 48" (Optional)                              | 104    | 223-3100    | Nut (2 req'd)                                 |
| 28     | 299-1954    | Bow Mount Assembly                               | 105    | 226-0170    | Speed Control Knob                            |
| 28A    | 226-4201    | Arm-Upper  | 106    | 226-4025    | Switch-5 Speed                                |
| 28B    | 226-5120    | Bumper   | 106A   |             | Lockwasher (comes w/switch)                   |
| 29     | 277-4302    | Arm-Lower Assembly (W/Items 29A, 36, 41-45, 61)  | 106B   |             | Nut (comes w/switch)                          |
| 29A    | 225-4321    | Arm-Lower (Order Item #29)                       | 107    | 226-1715    | Spacer  |
| 30     | 226-3900    | Motor Rest                                       | 108    | 226-3000    | E-Ring  |
| 31     | 225-1942    | Bow Plate  | 109    | 226-0730    | Connector                                     |
| 32     | 229-3801    | Tube Lock  | 110    | 226-4500    | Foot Pedal Base                               |
| 33     | 226-4705    | Insert (Part of #53A)                            | 111    | 226-5607    | Decal-Battery                                 |
| 35     | 223-0500    | Hinge Pin (2 req'd)                              | 112    | 226-0510    | Pin-Pivot                                     |
| 36     | 215-0400    | Pull Grip  | 113    | 226-0515    | Pin-Pulley                                    |
| 37     | 223-6000    | Nyliner Bearing (4 req'd)                        | 114    | 226-2300    | Pulley  |
| 38     | 230-3430    | Screw (4 req'd)                                  | 115    | 226-0000    | Bearing-Pulley                                |
| 39     | 229-3511    | Bolt-Upper Arm (4 req'd)                         | 116    | 226-1705    | Washer-Nylatron                               |
| 40     | 229-3500    | Bushing-Upper Arm (4 req'd)                      | 117    | 226-6400    | Cover-Pulley                                  |
| 41     | 215-2610    | Spring Pin                                       | 118    | 230-1310    | Screw (2 req'd)                               |
| 42     | 223-3600    | Lock Bar   | 119    | 226-5115    | Boot-Foot Pedal                               |
| 43     | 215-2700    | Spring   | 120    | 226-2113    | Screw (2 req'd)                               |
| 44     | 215-1700    | Washer (2 req'd)                                 | 121    | 226-1205    | Wire Harness (5')                             |
| 45     | 215-3600    | Eye Shaft  | 121A   | 226-1206    | Wire Harness (7')                             |
| 47     | 223-1570    | Roller Sleeve                                    | 122    | 226-3210    | Bracket-Conduit Adj.                          |
| 52     | 223-2350    | Rope Eyelet                                      | 123    | 226-3460    | Screw   |
| 53     | 277-1812    | Hinge Base Assembly (Includes #52, 53A, 33)      | 123A   | 226-2720    | Spring  |
| 53A    | 226-1811    | Hinge Base                                       | 124    | 226-7500    | Cable Assembly-Right (5')                     |
| 54     | 226-1821    | Hinge Door                                       | 124A   | 226-7501    | Cable Assembly-Right (7')                     |
| 57     | 226-2640    | Hinge Pin  | 125    | 226-7510    | Cable Assembly-Left (5')                      |
| 59     | 226-0180    | Knob-Hinge Cover                                 | 125A   | 226-7511    | Cable Assembly-Left (7')                      |
| 61     | 225-1600    | Rope   | 126    | 226-1225    | Leadwire                                      |
| 62     | 226-7200    | Latch Lever                                      | 127    | 226-3205    | Clamp   |
| 63     | 226-3801    | Hold Down Strap                                  | 128    | 233-2103    | Screw (11 req'd)                              |
| 64     | 226-1910    | Bracket  | 129    | 226-0300    | Connecting Wire-Black (See Wiring Diagram)    |
| 65     | 226-0500    | Roll Pin (2 req'd)                               | 130    | 226-0310    | Connecting Wire-White (See Wiring Diagram)    |
| 66     | 226-3440    | Screw  | 131    | 226-0320    | Connecting Wire-Red (See Wiring Diagram)      |
| 67     | 233-3101    | Hex Nut  | 132    | 225-4031    | Switch Mom/Off/Com                            |
| 69     | 299-2015    | Outer Tube Assembly (18") (Includes #69A, 70)    | 133    | 226-5430    | Cable Jacket (5')                             |
| 69A    | 227-2066    | Outer Tube (18") (Order #69)                     | 133A   | 226-5431    | Cable Jacket (7')                             |
| 69B    | 299-2016    | Outer Tube Assembly (24") (Includes #69C, 70)    | 134    | 225-6300    | Tie Wrap                                      |
| 69C    | 227-2067    | Outer Tube (24") (Order #69B)                    | 135    | 226-6410    | Cover Plate                                   |
| 70     | 226-6260    | Bearing Race (2 req'd)                           | 137    | 299-4803    | Bag Assembly                                  |
| 71     | 226-6115    | Bearing Cone                                     | 137A   | 215-3501    | Mounting Bolt (4 req'd) (Order #137)          |
| 71A    | 226-6000    | Ball Bearing (2 req'd)                           | 137B   | 215-3100    | Mounting Nut (4 req'd) (Order #137)           |
| 72     | 277-1615    | Collar Kit (Includes #72A, 73)                   | 137C   | 215-1726    | Mounting Washer (SS) (4 req'd) (Order #137)   |
| 72A    | 226-1615    | Collar Half (2 req'd)                            | 137D   | 230-1720    | Mounting Washer (6 req'd) (Order #137)        |
| 73     | 226-3450    | Screw (2 req'd)                                  | 138    | 209-0700    | Ring Terminals (2 req'd)                      |

