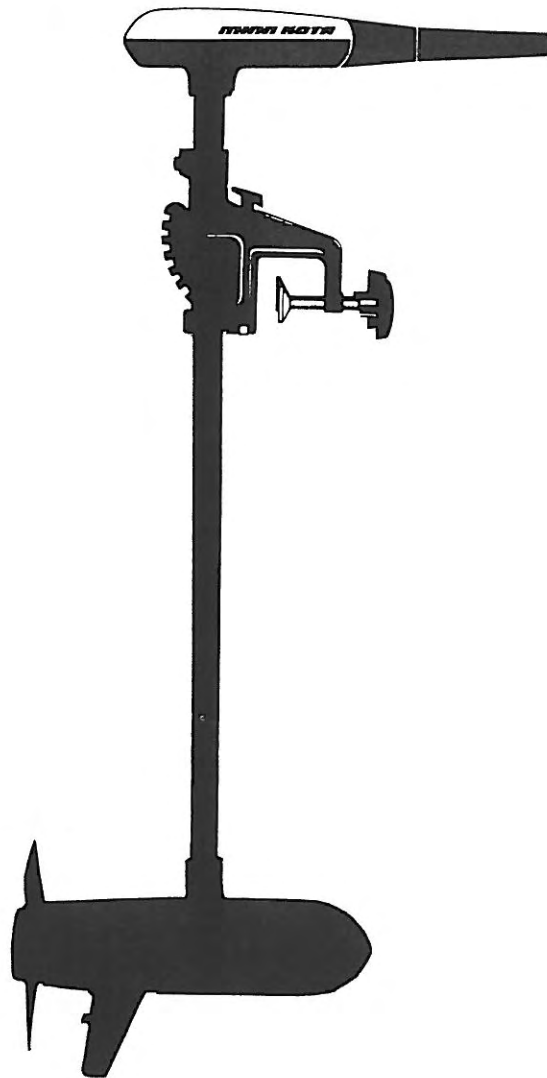


# ***MINN KOTA***

---

PARTS LIST INSERT

## **TRANSOM SALTWATER MODEL RT 3.1/S, RT 4.3/S**



---

Replacement Parts .....	p. 2
Parts Diagram.....	p. 3
Wiring Diagram.....	p. 4

# Model RT 3.1/S, RT 4.3/S

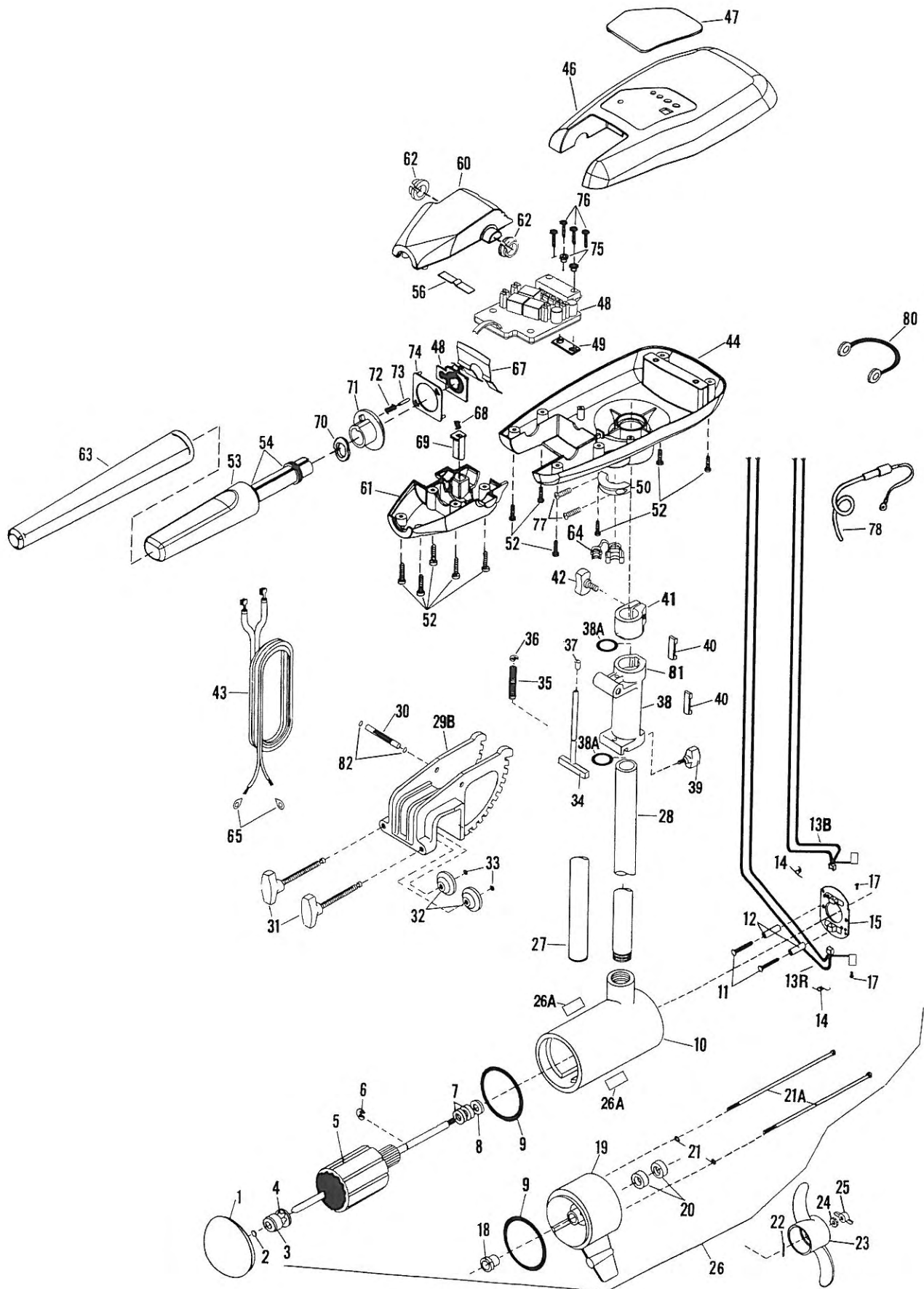
## REPLACEMENT PARTS

In the U.S.A., replacement parts may be ordered from the Minn Kota Parts Dept., JWA North America, 153 Madison Ave., Mankato, MN 56001. In Canada, parts may be ordered from any of the Canadian Authorized Service Centers shown on the enclosed list. Be sure to provide the MODEL and SERIAL numbers of your motor when ordering parts and please use the correct part Numbers from the Parts List. Payment for parts ordered from the Minn Kota Parts Dept. may be by cash, check, MasterCard, Visa card, or UPS C.O.D. To order call 1-800-227-6433.

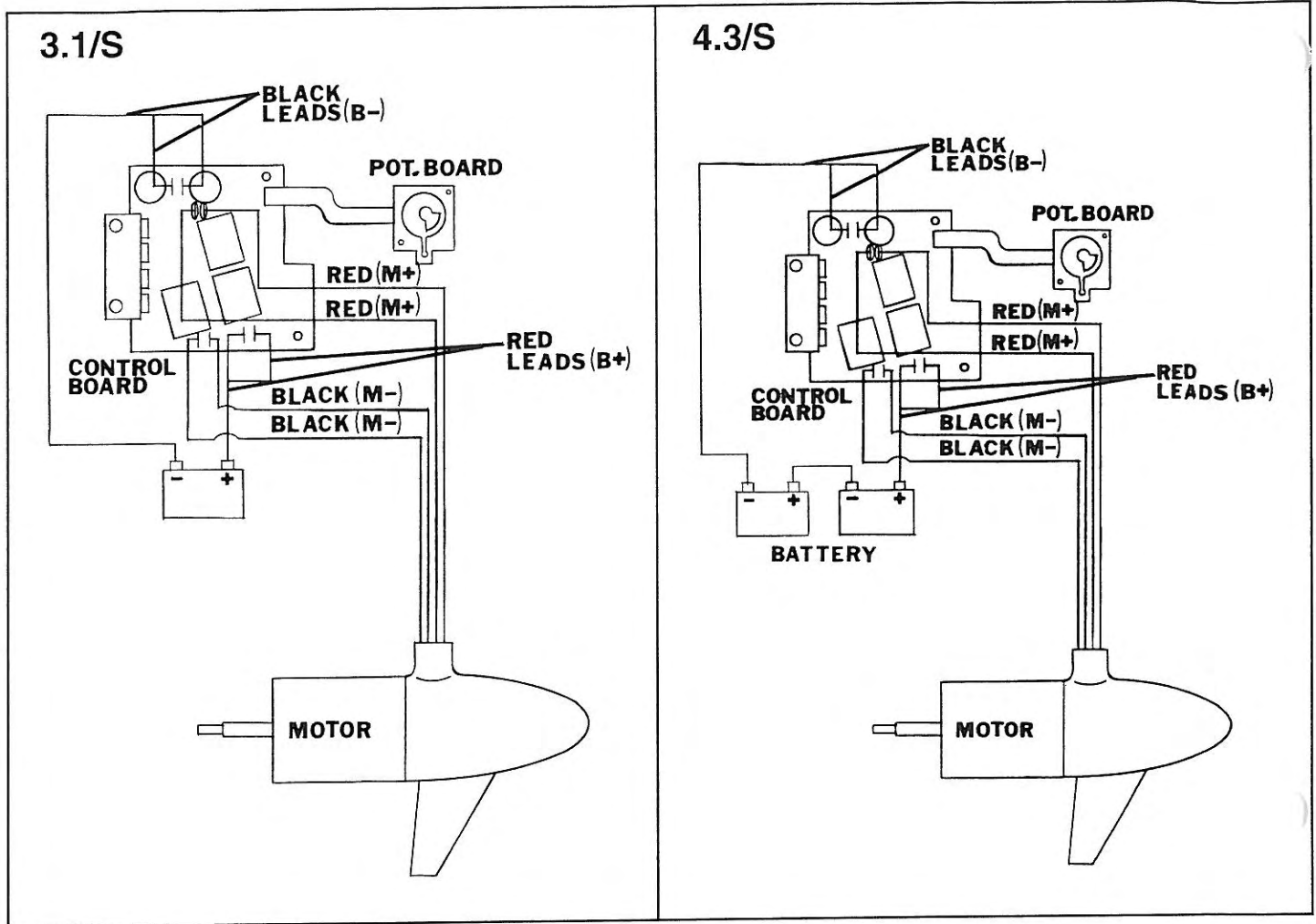
Item No.	Part No.	Description	Item No.	Part No.	Description
1	409-025	Front End Bell	33	233-3000	Retaining-Ring (2 req'd.)
2	406-050	Thrust Disc	34	203-3601	T-Bar
3	409-600	Spherical Bearing	35	233-2700	T-Bar Spring
4	409-301	Bearing Retainer	36	233-3001	E-Ring
5	410-204	Armature Assy.-RT 3.1/S	37	201-0100	Tilt Knob
5A	410-205	Armature Assy.-RT 4.3/S	38	203-1854	Hinge
6	409-300	E-Ring	38A	203-7300	Bushing (2 req'd.)
7	409-170	Thrust Washer-Steel (2 req'd.)	39	201-1386	Screw-Tension
8	409-171	Thrust Washer-Nylatron	40	203-2800	Tension Block (2 req'd.)
9	409-460	O-Ring (2 req'd.)	41	203-1520	Collar
10	409-258	Center Section w/Magnets	42	201-1366	Screw-Collar
11	405-341	Brush Plate Screw (2 req'd.)	43	233-0600	Leadwire (Includes Battery Terminals)
12	405-151	Brush Plate Spacer (2 req'd.)	44	206-2584	Control Box
13R	409-071	Brush Assy. (Red)	46	230-0227	Control Box Cover-RT 3.1/S
13R	409-073	Brush Assy. (Red) Optional 48/54" Motor Only	47	209-5673	Decal-Cover-RT 3.1/S
13B	409-072	Brush Assy. (Black)	47	209-5674	Decal-Cover-RT 4.3/S
13B	409-074	Brush Assy. (Black) Optional 48/54" Motor Only	48	233-4005	Control Board Assy.-RT 3.1/S
14	406-083	Brush Spring (2 req'd.)	48	234-4005	Control Board Assy.-RT 4.3/S
15	409-401	Brush Plate Assy.	49	236-5105	Insulating Pad
17	409-343	Set Screw (2 req'd.)	50	206-1501	Collar
18	409-000	Flange Bearing	52	230-3412	Screw (11 req'd.)
19	409-034	Rear End Bell	53	299-0915	Handle Assy. Complete
20	409-461	Seal (2 req'd.)	54	206-0000	Handle Bearing (2 req'd.)
21	409-462	O-Ring Thru Bolt (2 req'd.)	56	230-2742	Spring-Off Detent
21A	409-352	Thru Bolt (2 req'd.)	60	206-0411	Handle-Top Half
22	209-2600	Drive Pin	61	206-0415	Handle-Lower Half
23	233-1120	Propeller	62	206-0005	Bearing-Handle Pivot (2 req'd.)
24	209-1700	Lock Washer	63	206-0425	Handle Ext.
25	209-3100	Prop Nut	64	233-2900	Strain Relief
26	233-7080	Motor Assy. Comp.-RT 3.1/S-36/42"	65	209-0700	Ring Terminals (2 req'd.)
26	233-7081	Motor Assy. Comp.-RT 3.1/S-48" (optional)	67	230-2743	Spring-Handle Tilt Detent
26	231-7040	Motor Assy. Comp.-RT 4.3/S-36/42"	68	230-2745	Spring-Release Button
26	231-7041	Motor Assy. Comp.-RT 4.3/S-48" (optional)	69	230-3720	Release Button-Handle
26A	206-6649	Motor Decal (2 req'd.)	70	230-2741	Spring-Cam
27	200-5500	Decal Tube	71	230-2850	Actuator-Cam
28	203-2057	Tube 36"	72	230-2740	Spring-Actuator
28A	203-2053	Tube 42" (optional)	73	230-2600	Pin-Actuator
28B	203-2054	Tube 48" (optional)	74	230-2851	Actuator-Fwd/Rev.
29	299-1961	Hinge & Bracket Assy. (Includes #29A, 30-40)	75	230-1710	Washer-Insul. (2 req'd.)
29A	277-1905	Bracket & Clamp Screw Assy. (Includes #29B, 31-33)	76	237-2100	Screw (4 req'd.)
*29B	203-1903	Bracket (Order #29A) (Not Available Separately)	77	230-1310	Screw (2 req'd.)
30	233-0500	Hinge Pin	78	206-0310	Connecting Ground Wire-Fused
31	201-1376	Clamp Screw (2 req'd.)	80	234-0610	Connector Cable-RT 4.3 /S
32	233-1700	Clamp Washer (2 req'd.)	81	200-5705	Serial No.
			82	233-3100	Speed Nuts (2 req'd.)

\* This item is part of an assembly. This item cannot be sold separately due to machining and/or assembly that is required.

# PARTS DIAGRAM



# WIRING DIAGRAM



## **MINN KOTA**

ELECTRIC FISHING MOTORS

1531 E MADISON AVENUE  
PO BOX 8129  
MANKATO MINNESOTA 56002-8129  
PARTS, SERVICE WARRANTY:  
CALL TOLL FREE:  
1-800-227-6433  
FAX NO. 800-527-4464