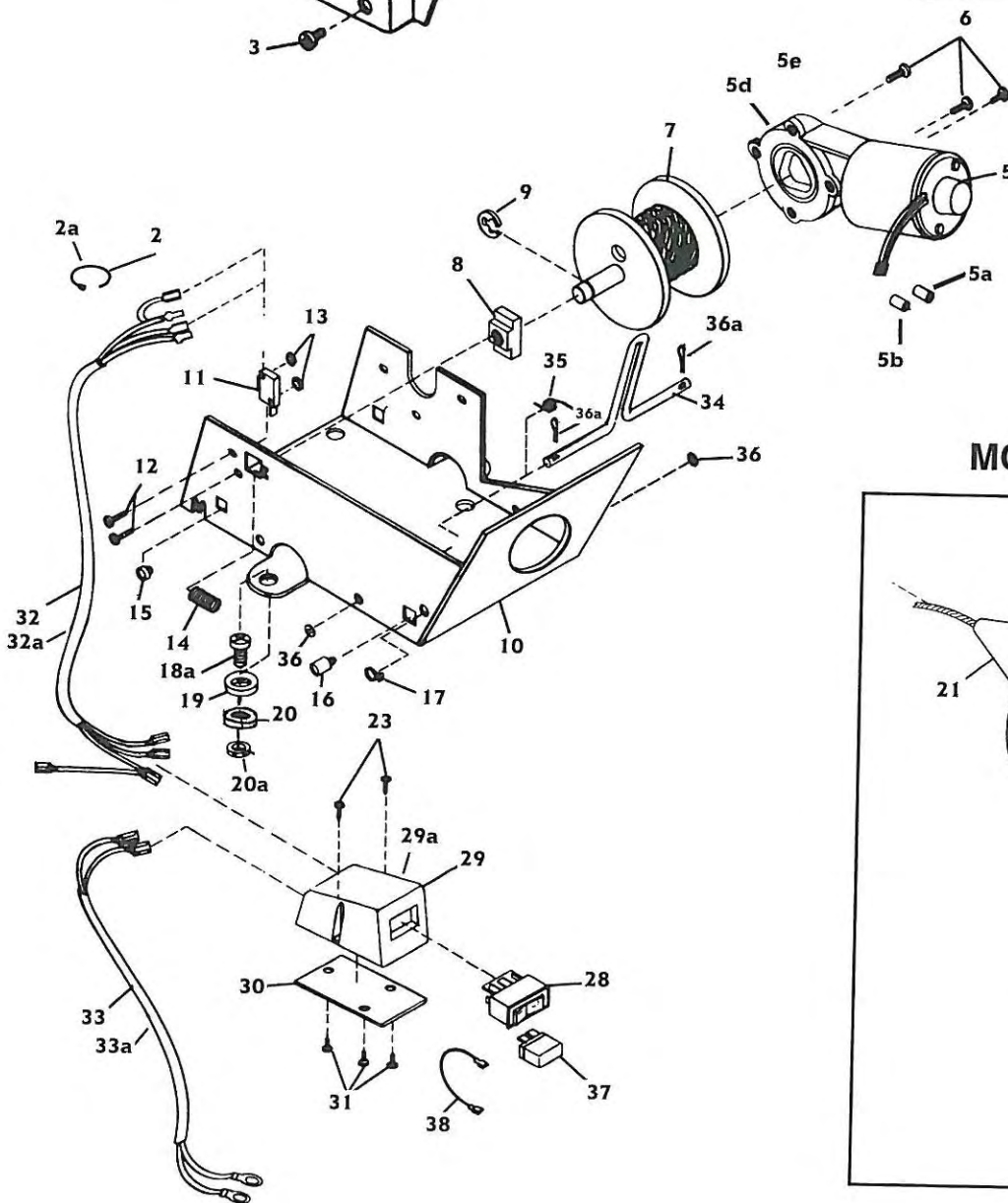
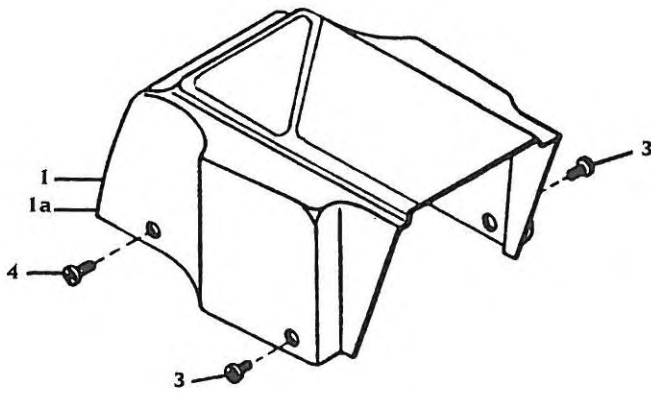
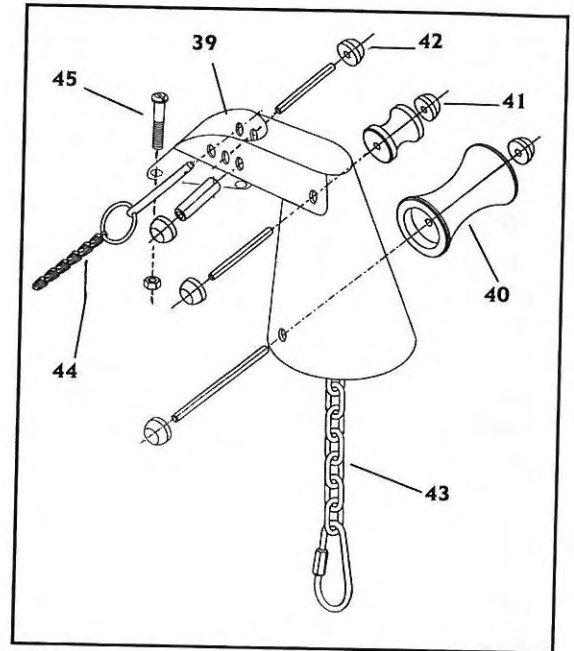
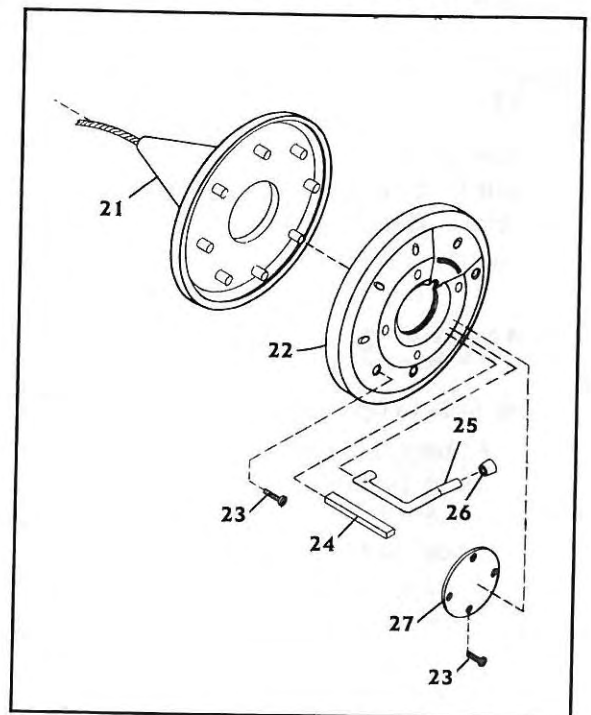


# PARTS DIAGRAM

## MODEL DH-35



## MODEL DH-18 ONLY

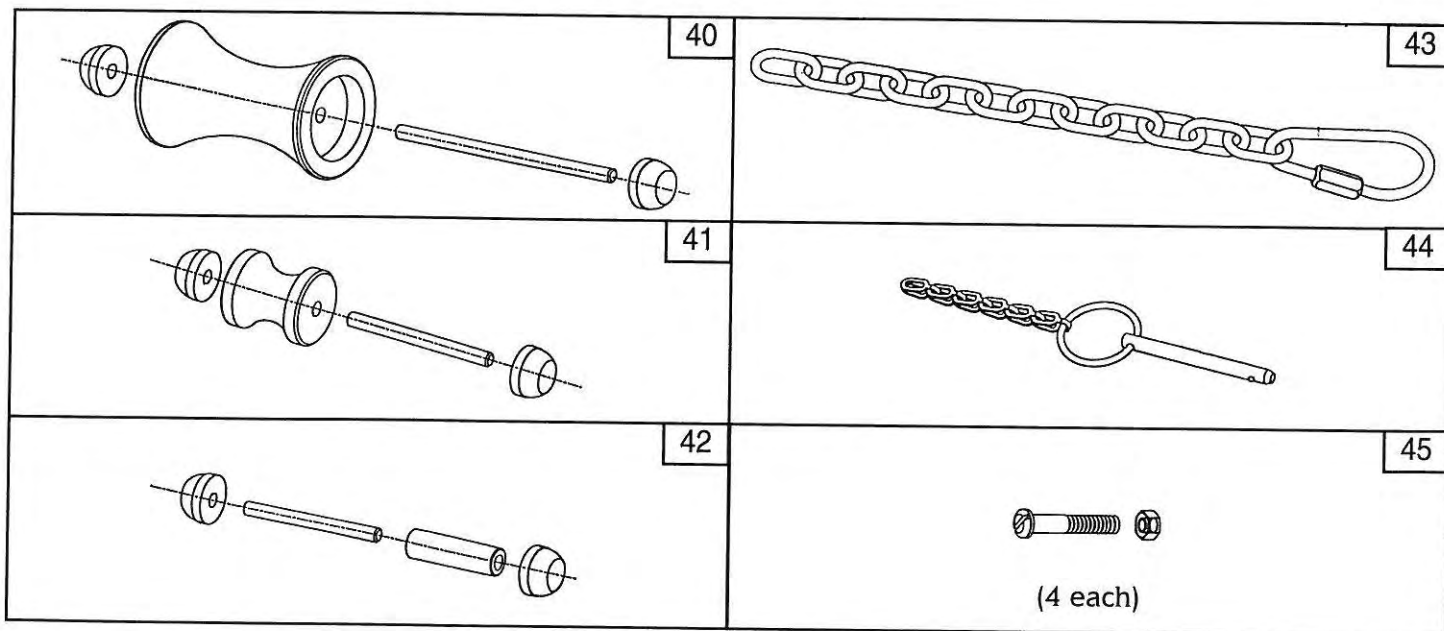


# REPLACEMENT PARTS

In the U.S.A., replacement parts may be ordered from the Minn Kota Parts Dept., JWA-North America, 1531 E. Madison Ave., Mankato, MN 56001. In Canada, parts may be ordered from any of the Canadian Authorized Service Centers shown on the enclosed list. Be sure to provide the Model and Serial numbers of your DeckHand when ordering parts and please use the correct Part Numbers from the Parts List. Payment for parts ordered from the Minn Kota Parts Dept. may be by cash, check, MasterCard, Visa card, or UPS C.O.D. To order call 1-800-227-6433.

Item No.	Part No.	Description	Item No.	Part No.	Description
1	237-0200	Cover DH-18	21	237-8000	Anchor-Upper Half
1a	237-0201	Cover DH-35	22	237-8100	Anchor-Lower Half
2	230-3000	Pig Ring (2 req'd DH-18)	23	237-2100	Screw (14 req'd)
2a	230-3001	Pig Ring (2 req'd DH-35)	24	237-2800	Keeper Block
3	237-2121	Cover Screw-Front (2 req'd)	25	237-3600	Lock Lever
4	237-2111	Cover Screw-Rear (2 req'd)	26	237-0100	Lock Lever Knob
5	237-7800	Gear Motor (universal)	27	237-6700	Plug
5a	237-5400	Wire Insulator (2 req'd)	28	237-4000	Control Switch
5b	235-5410	Shrink Tube (DH-35)	29	237-6500	Switch Housing (DH-18)
5c	237-7801	Gear	29a	237-6501	Switch Housing (DH-35)
5d	237-0460	Gasket	30	237-6511	Switch Plate
5e	237-3002	Snap Ring	31	237-2150	Screw-Switch Plate (3 req'd)
6	237-2140	Screw-Gear Motor (3 req'd)	32	237-0700	Control Wire (DH-18)
7	237-7900	Spool includes 60' rope	32a	237-0701	Control Wire (DH-35)
8	237-0000	Bearing-Spool	33	237-0600	Leadwire (DH-18)
9	237-3000	E-Ring	33a	237-0601	Leadwire (DH-35)
10	237-1900	Base	34	237-1610	Rope Guide
11	237-4010	Switch-Momentary	35	237-2710	Spring
12	237-2130	Screw-Momentary Switch (2 req'd)	36	215-1700	Washer (2 req'd)
13	237-3100	Nut-Momentary Switch (2 req'd)	37	237-8202	Circuit Breaker
14	237-2700	Spring	38	237-1410	Connecting Wire (DH-35)
15	237-2900	Cover Grommet-Rear (2 req'd)	38a	237-1412	Connecting Wire (DH-18)
16	237-2910	Cover Grommet-Front (2 req'd)	39	237-8410	Davit Assembly
17	237-6300	Wire Clip (2 req'd)	<b>Bag Assemblies</b>		
18	299-4803	Bag Assembly	40	277-4800	Large Roller
18a	215-3501	Mounting Bolt (4 req'd)	41	277-4801	Small Roller
19	230-1720	Mounting Washer (4 req'd)	42	277-4802	Sleeve Roller
19b		Steel Washer (4 req'd)	43	277-4803	Safety Chain
20	215-1726	Mounting Flat Washer (4 req'd)	44	277-4804	Safety Pin
20a	215-3100	Mounting Nut (4 req'd)	45	277-4805	Mounting Bolts and Nuts

## BAG ASSEMBLIES



# WIRING DIAGRAM

