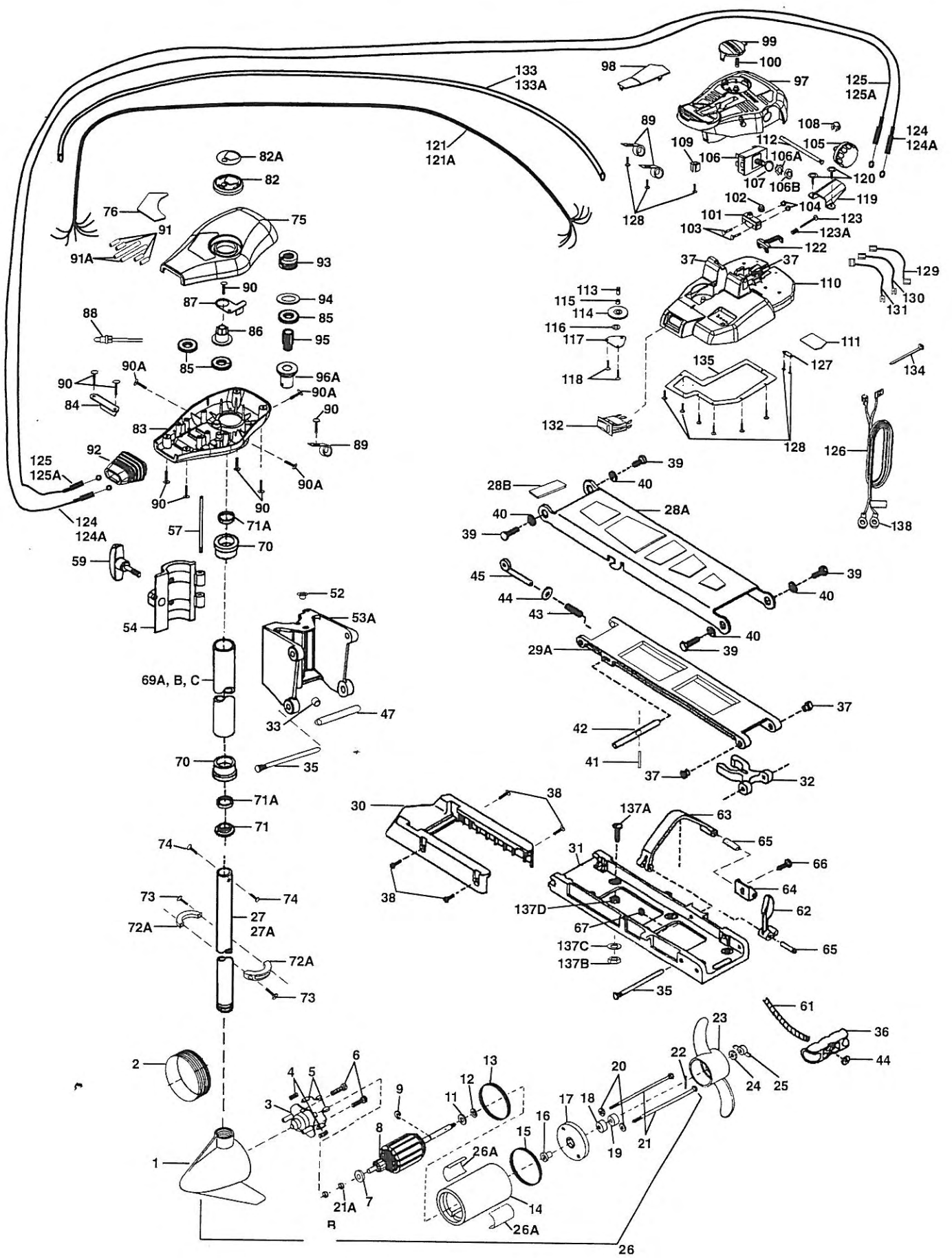


PARTS DIAGRAM 36 AT



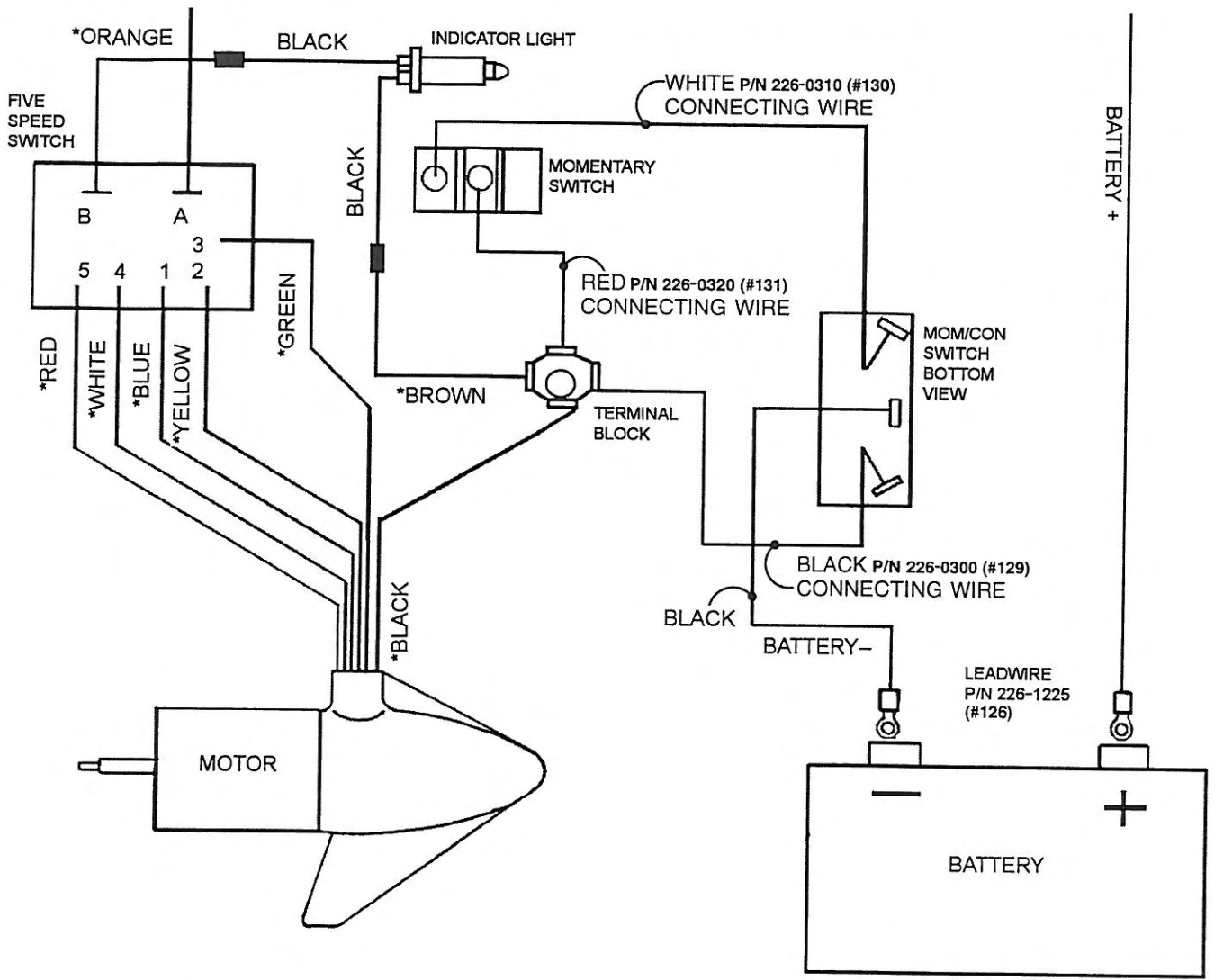
MODEL 36AT

REPLACEMENT PARTS

In the U.S.A., replacement parts may be ordered from the Minn Kota Parts Dept., JWA North America, 1531 E. Madison Ave., Mankato, MN 56001. In Canada, parts may be ordered from any of the Canadian Authorized Service Centers shown on the enclosed list. Be sure to provide the MODEL and SERIAL numbers of your motor when ordering parts and please use the correct part Numbers from the Parts List. Payment for parts ordered from the Minn Kota Parts Dept. may be by cash, check, MasterCard, VISA card, or UPS C.O.D. To order call 1-800-227-6433.

Item #	Part Number	Description	Item #	Part Number	Description
1	406-024	Front Endbell	75	226-0262	Control Box Cover
2	405-245	Speed Coil	76	226-5520	Decal-Cover
3	406-404	Brush Plate Assembly	82	226-0150	Pointer Disc
4	406-081	Brush Spring (2 req'd)	82A	226-5800	Decal Indicator
5	406-072	Brush Assembly (2 req'd)	83	226-2530	Control Box
6	406-341	Brush Plate Screw (2 req'd)	84	226-1900	Bracket
8	405-204	Armature Assembly	85	226-7800	Gear Indicator (3 req'd)
9	405-300	E-Ring	86	226-2220	Indicator-Drive
11	406-170	Thrust Washer (Steel)	87	226-1905	Bracket-Indicator
12	405-171	Thrust Washer (Nylon)	88	226-4015	Light-Indicator
13	406-480	Gasket	89	226-3200	Clamp-Wire Harness (3 req'd)
14	405-257	Center Section W/ Magnets	90	230-1310	Screw (8 req'd)
15	406-460	O-Ring	90A	226-2109	Screw (3 req'd)
16	406-600	Flange Bearing	91	237-5400	Shrink Tube (4 req'd)
17	406-032	Rear Endbell	91A	235-5410	Shrink Tube (2 req'd)
18	406-461	Seal	92	226-5110	Boot-Control Box
19	406-471	Seal (Cup)	93	223-2360	Pulley-Cable Drum
20	401-462	O-Ring (Thru Bolt) (2 req'd)	94	226-1730	Washer-Nylon
21	405-354	Thru Bolt (2 req'd)	95	226-7805	Drive Pinion (Order Item #96)
21A	406-010	Ball Bearing	96	277-6203	Top Bearing Race Assembly (Includes Item #95, 96A)
22	209-2600	Drive Pin			
23	206-1125	Propeller	96A	226-6245	Bearing Race (Order Item #96)
24	205-1700	Lockwasher	97	226-4430	Foot Pedal
25	205-3100	Prop Nut	98	226-6700	Plug
26	206-9020	Motor Assembly Complete (42 Std.)	99	226-3700	Push Button
26	206-9021	Motor Assembly Complete (48" Optional)	100	230-2732	Spring
26A	206-6641	Motor Decal (2 req'd)	101	226-4020	Switch Momentary
27	203-2063	Tube 42"	102	226-5140	Boot-Switch
27A	203-2064	Tube 48" (Optional)	103	226-2114	Screw (2 req'd)
28	299-1954	Bow Mount Assembly	104	223-3100	Nut (2 req'd)
28A	226-4201	Arm-Upper	105	226-0170	Speed Control Knob
28B	226-5120	Bumper	106	226-4025	Switch-5 Speed
29	277-4302	Arm-Lower Assembly (W/Items 29A, 36, 41-45, 61)	106A		Lockwasher (comes w/switch)
29A	225-4321	Arm-Lower (Order Item #29)	106B		Nut (comes with switch)
30	226-3900	Motor Rest	107	226-1715	Spacer
31	225-1942	Bow Plate	108	226-3000	E-Ring
32	229-3801	Tube Lock	109	226-0730	Connector
33	226-4705	Insert (Part of #53A)	110	226-4500	Foot Pedal Base
35	223-0500	Hinge Pin (2 req'd)	111	226-5607	Decal-Battery
36	215-0400	Pull Grip	112	226-0510	Pin-Pivot
37	223-6000	Nyliner Bearing (4 req'd)	113	226-0515	Pin-Pulley
38	230-3430	Screw (4 req'd)	114	226-2300	Pulley
39	229-3511	Bolt-Upper Arm (4 req'd)	115	226-0000	Bearing-Pulley
40	229-3500	Bushing-Upper Arm (4 req'd)	116	226-1705	Washer-Nylatron
41	215-2610	Spring Pin	117	226-6400	Cover-Pulley
42	223-3600	Lock Bar	118	230-1310	Screw (2 req'd)
43	215-2700	Spring	119	226-5115	Boot-Foot Pedal
44	215-1700	Washer (2 req'd)	120	226-2113	Screw (2 req'd)
45	215-3600	Eye Shaft	121	226-1205	Wire Harness (5')
47	223-1570	Roller Eyelet	121A	226-1206	Wire Harness (7')
52	223-2350	Rope Sleeve	122	226-3210	Bracket-Conduit Adj.
53	277-1812	Hinge Base Assembly (Includes #52, 53A, 33)	123	226-3460	Screw
53A	226-1811	Hinge Base	123A	226-2720	Spring
54	226-1821	Hinge Door	124	226-7500	Cable Assembly-Right (5')
57	226-2640	Hinge Pin	124A	226-7501	Cable Assembly-Right (7')
59	226-0180	Knob-Hinge Cover	125	226-7510	Cable Assembly-Left (5')
61	225-1600	Rope	125A	226-7511	Cable Assembly-Left (7')
62	226-7200	Latch Lever	126	226-1225	Leadwire
63	226-3801	Hold Down Strap	127	226-3205	Clamp
64	226-1910	Bracket	128	233-2103	Screw (11 req'd)
65	226-0500	Roll Pin (2 req'd)	129	226-0300	Connecting Wire-Black (See Wiring Diagram)
66	226-3440	Screw	130	226-0310	Connecting Wire-White (See Wiring Diagram)
67	233-3101	Hex Nut	131	226-0320	Connecting Wire-Red (See Wiring Diagram)
69	299-2015	Outer Tube Assembly (18") (Includes #69A, 70)	132	226-4031	Switch Mom/Off/Com
69A	227-2066	Outer Tube (18") (Order #69)	133	226-5430	Cable Jacket (5')
69B	299-2016	Outer Tube Assembly (24") (Includes #69C, 70)	133A	226-5431	Cable Jacket (7')
69C	227-2067	Outer Tube (24") (Order #69B)	134	225-6300	Tie Wrap
70	226-6260	Bearing Race (2 req'd)	135	226-6410	Cover Plate
71	226-6115	Bearing Cone	137	299-4803	Bag Assembly
71A	226-6000	Ball Bearing (2 req'd)	137A	215-3501	Mounting Bolt (4 req'd) (Order #137)
72	277-1615	Collar Kit (Order Item #72A, 73)	137B	215-3100	Mounting Nut (4 req'd) (Order #137)
72A	226-1615	Collar Half (2 req'd)	137C	215-1726	Mounting Washers (SS) (4 req'd) (Order #137)
73	226-3450	Screw (2 req'd)	137D	230-1720	Mounting Washer (6 req'd) (Order # 137)
74	226-3410	Screw (2 req'd)	138	209-0700	Ring Terminals (2 req'd)

WIRING DIAGRAM *30AT, 36 AT*



- * 5' HARNESS P/N 226-1205
- * 7' HARNESS P/N 226-1206