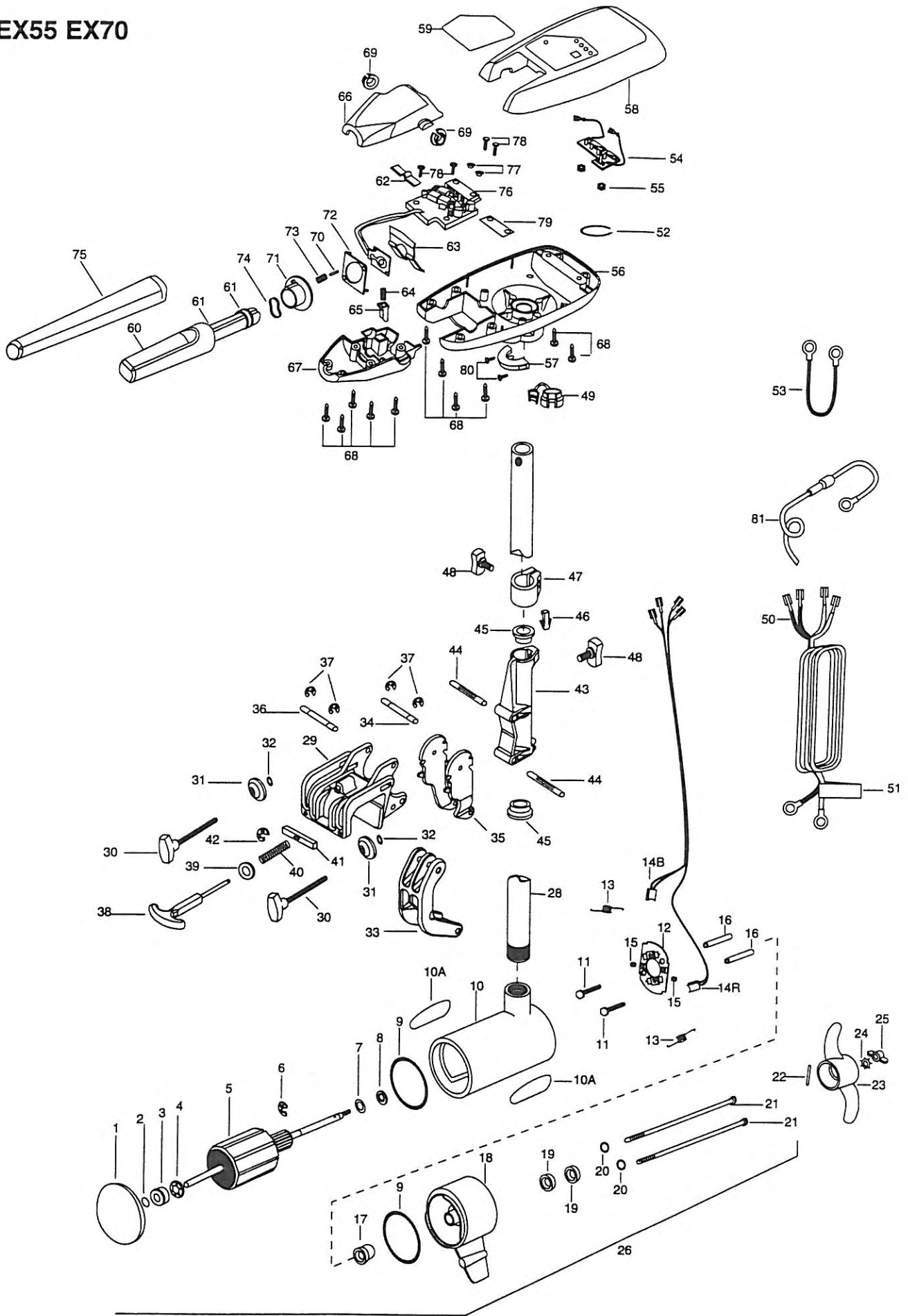


# EX55 EX70



In the U.S.A., replacement parts may be ordered directly from MINN KOTA Parts Dept., JWA North America, 1531 E. Madison Avenue, Mankato, Minnesota 56001. In Canada, parts may be ordered from any of the Canadian Authorized Service Centers shown on the enclosed list. Be sure to provide the MODEL and SERIAL numbers of your motor when ordering parts. Please use the correct part numbers from the parts list. Payment for any parts ordered from the MINN KOTA parts department, may be by cash, personal check, Discover Card, MasterCard, VISA, or UPS C.O.D. To order, call 1-800-227-6433 or FAX 1-800-527-4464.

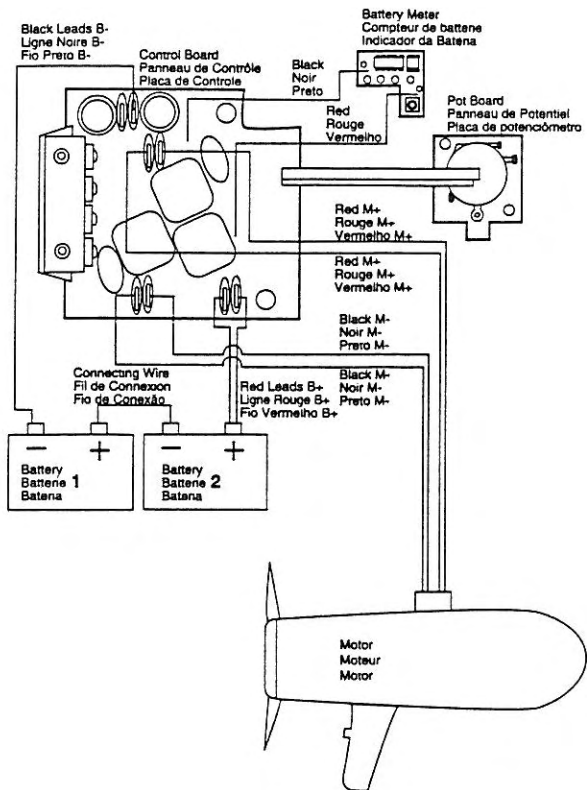
Hors de États-Unis, veuillez vous reporter à la liste ci-jointe pour le Centre de Service Agréé MINN KOTA le plus proche. Ne pas oublier de fournir les numéros de Modèle et de Série de votre Moteur lorsque vous placez une commande. Employez toujours le numéro de pièce exact se trouvant sur la liste des pièces de remplacement.

Fora da América do Norte, queira consultar a lista anexa para identificar o Centro de Serviço Autorizado MINN KOTA. Não deixe de incluir o número do MODELO e o número de SÉRIE do seu motor ao pedir peças. Sempre use os números corretos das peças da lista de peças.

1	409024	FRONT ENDBELL	29A	2771908	BRACKET ASSY (INCLUDES 29B-32)	60	2990915	HANDLE ASSEMBLY
2	406050	THRUST DISC	29B	2031920	BRACKET-DIE CAST (ORDER 29A)	61	2060000	BEARING- HANDLE ( 2 REQ'D )
3	409600	SPHERICAL BEARING	30	2011375	SCREW-CLAMP KNOB	62	2302742	SPRING-DETENT(OFF) SS
4	409301	BEARING RETAINER	31	2011710	WASHER-CLAMP SCREW	63	2302743	SPRING-DETENT (HANDLE-TILT)
5	410202	ARMATURE ASSEMBLY 55EX	32	2013010	RETAINING-RING	64	2302745	SPRING-RELEASE BUTTON SS
	410203	ARMATURE ASSEMBLY 70EX	33	2034300	ARM-LINK (LOWER)	65	2303720	RELEASE BUTTON-HANDLE
6	409300	E-RING	34	2030502	PIN-PIVOT (LOWER ARM)	66	2060411	HANDLE (TOP HALF)
7	409170	THRUST WASHER- STEEL (AS REQ'D)	35	2034200	ARM-LINK (UPPER)	67	2060415	HANDLE (LOWER HALF)
8	409171	THRUST WASHER- NYLON (AS REQ'D )	36	2030501	PIN-PIVOT (UPPER ARM)	68	2303412	SCREW-6-20 X 5/8 SELF TAP
9	409460	O-RING	37	2263010	E-RING 3/8 DIA. SHAFT	69	2060005	BEARING-HANDLE PIVOT
10	409257	CENTER SECTION W/MAGNETS	38	2030980	HANDLE-TILT	70	2302600	PIN-ACTUATOR
10A	2006605	DECAL ( 2 REQ'D )	39	2031701	WASHER-SPRING SEAT SS	71	2302850	ACTUATOR-CAM
11	405341	BRUSH PLATE SCREW ( 2 REQ'D )	40	2012701	SPR NG-LOCKBAR SS	72	2302851	ACTUATOR-FWD/REV
12	409401	BRUSH PLATE ASSEMBLY	41	2033605	LOCKBAR (KOTA STOW)	73	2302740	SPRING-(ACTUATOR)
13	406083	BRUSH SPRING (2 REQ'D )	42	2033011	E-RING 5/32 SS	74	2302741	SPRING-CAM
14B	409072	BRUSH ASSEMBLY- BLACK ( 36"/42" )	43	2032020	TUBE-GUIDE (KOTA STOW)	75	2060425	HANDLE (EXTENSION)
14R	409071	BRUSH ASSEMBLY- RED ( 36"/42" )	44	2030500	PIN-PIVOT	76	2334006	CTRL BRD W/LEAD-12V EX55
15	409343	BRUSH SET SCREW ( 2 REQ'D )	45	2037300	BUSHING-HINGE		2344006	CTRL BRD W/LEAD-24V EX70
16	405151	BRUSH PLATE SPACER ( 2 REQ'D )	46	2032800	TENSION BLOCK	77	2301710	WASHER-INSUL. (TRANSF. BAR)
17	409000	FLANGE BEARING	47	2031520	COLLAR-DEPTH ( W/O INSERT )	78	2365105	INSULATOR PAD
18	409033	REAR ENDBELL	48	2011365	SCREW-COLLAR/NEW KNOB	79	2372100	SCREW-8-18 X 5/8 SS
19	409461	SEAL ( 2 REQ'D )	49	2332900	STRAIN RELIEF	80	2301310	SCREW-8-18 X 1/2 SS
20	409462	O-RING- THRU BOLT ( 2 REQ'D )	50	2330600	LEADWIRE (10 GA-4)(RINGS)	81	2060310	GROUND WIRE-FUSED
21	409352	THRU BOLT ( 2 REQ'D )	51	2305800	DECAL LEADWIRE (BATTERY)			
22	2092600	PIN- DRIVE	52	2303001	RING-PIG )			
23	2331120	PROPELLER	53	2340610	CONNECTOR CABLE- (12')			
24	2091700	LOCKWASHER	54	2034035	BATTERY GAUGE-12 V. /4 LED			
25	2093100	NUT- PROP		2034036	BATTERY GAUGE-24 V. /4 LED			
26	2337070	MOTOR ASSEMBLY EX55	55	2303120	SPEED NUT			
	2317030	MOTOR ASSEMBLY EX70	56	2062582	CONTROL BOX			
28	2032057	TUBE ( 36" )	57	2061510	COLLAR-CTRL BOX			
	2032053	TUBE ( 42" )	58	2030210	COVER-CONTROL BOX			
29	2991962	BRACKET-KOTA STOW-ASSY	59	2335603	DECAL-COVER 55EX			
				2345603	DECAL-COVER 70EX			

PARTS LIST

55 EX 70 EX



**55EX**

