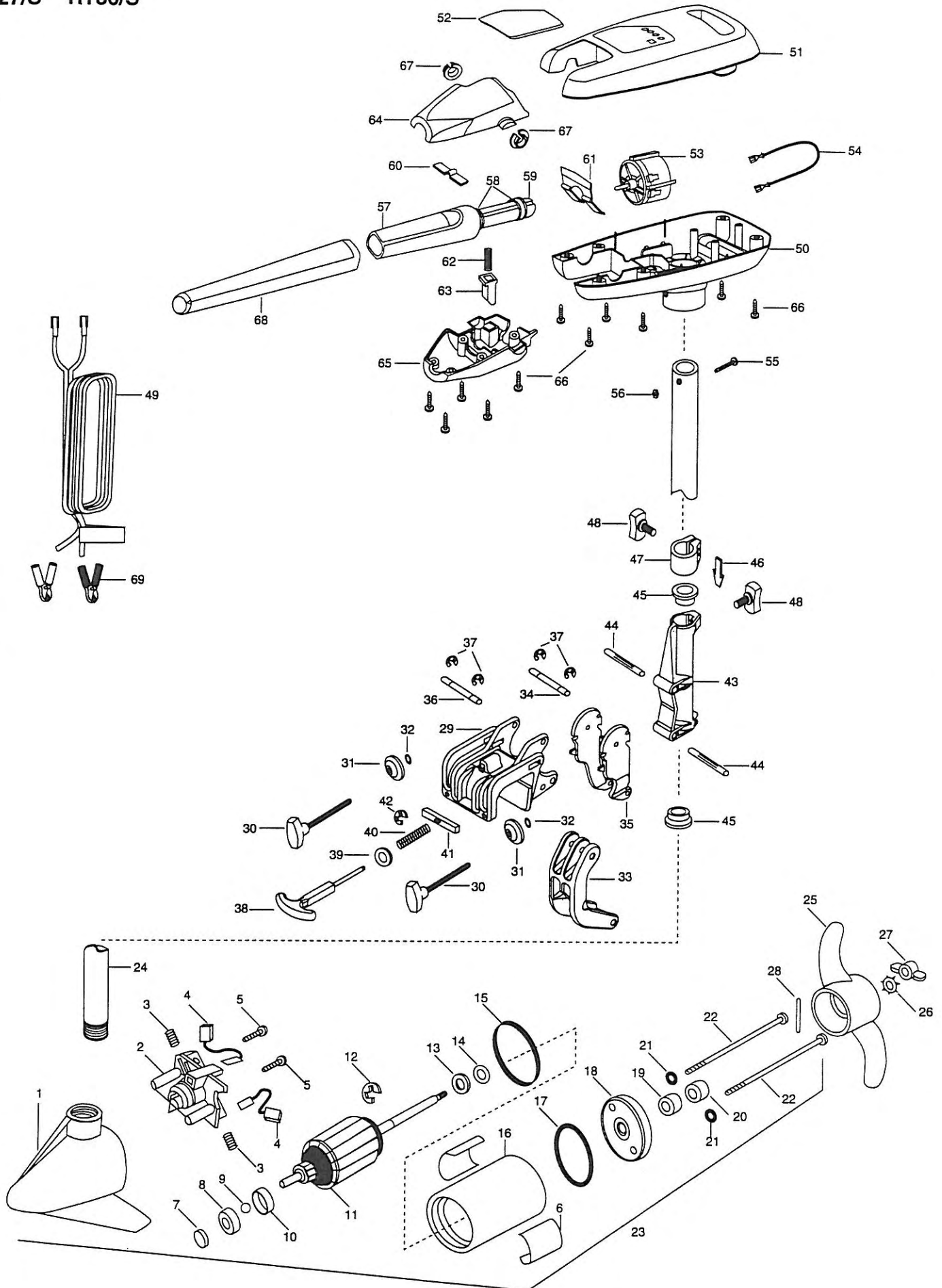


RT27/S RT36/S



1	403023	FRONT ENDBELL RT27/S	25	2061125	PROP (WEEDLESS WEDGE)	54	2020310	CONNECTING WIRE-4-1/2
	406026	FRONT ENDBELL RT36/S	26	2051700	LOCKWASHER-PROP	55	2332102	SCREW-10-24 X 1-3/4 SS
2	406402	BRUSH PLATE ASSEMBLY RT27/S	27	2053100	NUT-PROP	56	2333101	NUT-HEX
	406404	BRUSH PLATE ASSEMBLY RT36/S	28	2092600	PIN-DRIVE SS	57	2990911	HANDLE ASSY-W/U-JOINT 5SP
3	406081	BRUSH SPRING (2 REQ'D)	29	2991963	BRACKET-KOTA STOW-ASSY SW	58	2060000	HANDLE BEARING (2 REQ'D)
4	406072	BRUSH ASSEMBLY (2 REQ'D)	29A	2771909	BRACKET ASSY (INCLUDES 29B—32)	59	2771809	U-JOINT ASSEMBLY
5	406341	BRUSH PLATE SCREW (2 REQ'D)	29B	2031922	BRACKET-DIECAST-SW (ORDER 29A)	60	2302742	SPRING-DETENT (OFF) SS
6	2066649	DECAL MOTOR "RIPTIDE" (2 REQ'D)	30	2011376	SCREW-CLAMP/NEW KNOB SS (2 REQ'D)	61	2302743	SPRING-DETENT HANDLE-TILT
7	403050	THRUST DISK RT27/S	31	2331700	WASHER-CLAMP SCREW 1.5 OD (2 REQ'D)	62	2302745	SPRING-RELEASE BUTTON SS
8	406010	BALL BEARING RT36/S	32	2333000	RETAINING-RING SS (2 REQ'D)	63	2303720	RELEASE BUTTON-HANDLE
9	403010	THRUST BALL RT27/S	33	2034301	ARM-LINK (LOWER) SW	64	2060410	HANDLE (TOP HALF)
10	406090	BRUSH HOLDER RT27/S	34	2030502	PIN-PIVOT (LOWER ARM)	65	2060415	HANDLE (LOWER HALF)
11	403207	ARMATURE ASSEMBLY RT27/S	35	2034201	ARM-LINK (UPPER) SW	66	2303412	SCREW-6-20 X 5/8 SELF TAP (11 REQ'D)
	405204	ARMATURE ASSEMBLY RT36/S	36	2030501	PIN-PIVOT (UPPER ARM)	67	2060005	BEARING-HANDLE PIVOT (2 REQ'D)
12	405300	E-RING	37	2263011	E-RING 3/8 DIA. SHAFT (4 REQ'D)	68	2060425	HANDLE- EXTENSION
13	406170	THRUST WASHER- STEEL (AS REQ'D)	38	2030981	HANDLE-TILT (SW)	69	2010701	BATTERY CLIPS (2 REQ'D)
14	405171	THRUST WASHER- NYLON (AS REQ'D)	39	2031701	WASHER-SPRING SEAT SS			
15	406480	GASKET	40	2012701	SPRING-LOCKBAR SS			
16	403256	CENTER SECTION W/MAGNETS RT27/S	41	2033605	LOCKBAR (KOTA STOW)			
	405258	CENTER SECTION W/MAGNETS RT36/S	42	2033011	E-RING 5/32 SS			
17	406460	O-RING	43	2032020	TUBE-GUIDE (KOTA STOW)			
18	403032	REAR ENDBELL	44	2030500	PIN-PIVOT (LINK/TUBE) (2 REQ'D)			
19	406461	SEAL	45	2037300	BUSHING-HINGE (2 REQ'D)			
20	406471	SEAL- CUP	46	2032800	TENSION BLOCK			
21	401462	O-RING —THRU BOLT (2 REQ'D)	47	2031520	COLLAR-DEPTH (W/O INSERT)			
22	403354	THRU BOLT RT27/S (2 REQ'D)	48	2011366	SCREW-COLLAR/NEW KNOB SS (2 REQ'D)			
	405352	THRU BOLT RT36/S (2 REQ'D)	49	2050602	LEADWIRE W/CLIPS SW			
23	2039072	MOTOR ASSEMBLY RT27/S	50	2062550	CONTROL BOX			
	2069028	MOTOR ASSEMBLY RT36/S	51	2060263	COVER-CONTROL BOX			
24	2032051	TUBE (COMPOSITE) 30"	52	2035682	DECAL-COVER RT27/S			
	2032052	TUBE (COMPOSITE) 36" OPTIONAL	52	2065682	DECAL-COVER RT36/S			
	2032053	TUBE (COMPOSITE) 42" OPTIONAL	53	2064022	SWITCH-FWD/REV COMBO-5 SP			

