

FUCSIA 12 - Specification Sheet  
by Achille Castiglioni, 1996

Mounting	Ceiling pendant
Lamp (Bulb) Description	40W R50 E14 Reflector Incandescent
Environment	Indoor
Finish	N/S
Technical and Product Description	FUCSIA 12 pendant fixture providing both diffused and direct light. Twelve conical blown glass diffusers with 1.5" sandblasted edges and translucent silicone rings. Available in various configurations with corresponding white ceiling rose. Non UL version has clear cord

Electrical

Emergency Switching	Without
Voltage (V)	120

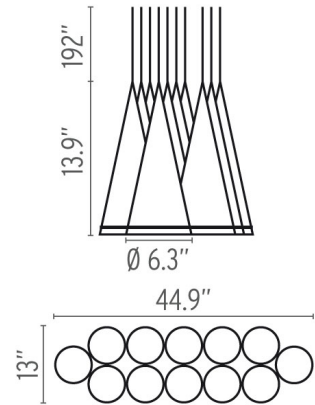
Physical

Supply	N/S
Cord length (inches)	192
Construction material	Glass, Silicone, Steel



FU241300 Glass

Dimensions



Certifications



Lamping (Bulbs)



40W R50 E14 Reflector Incandescent

