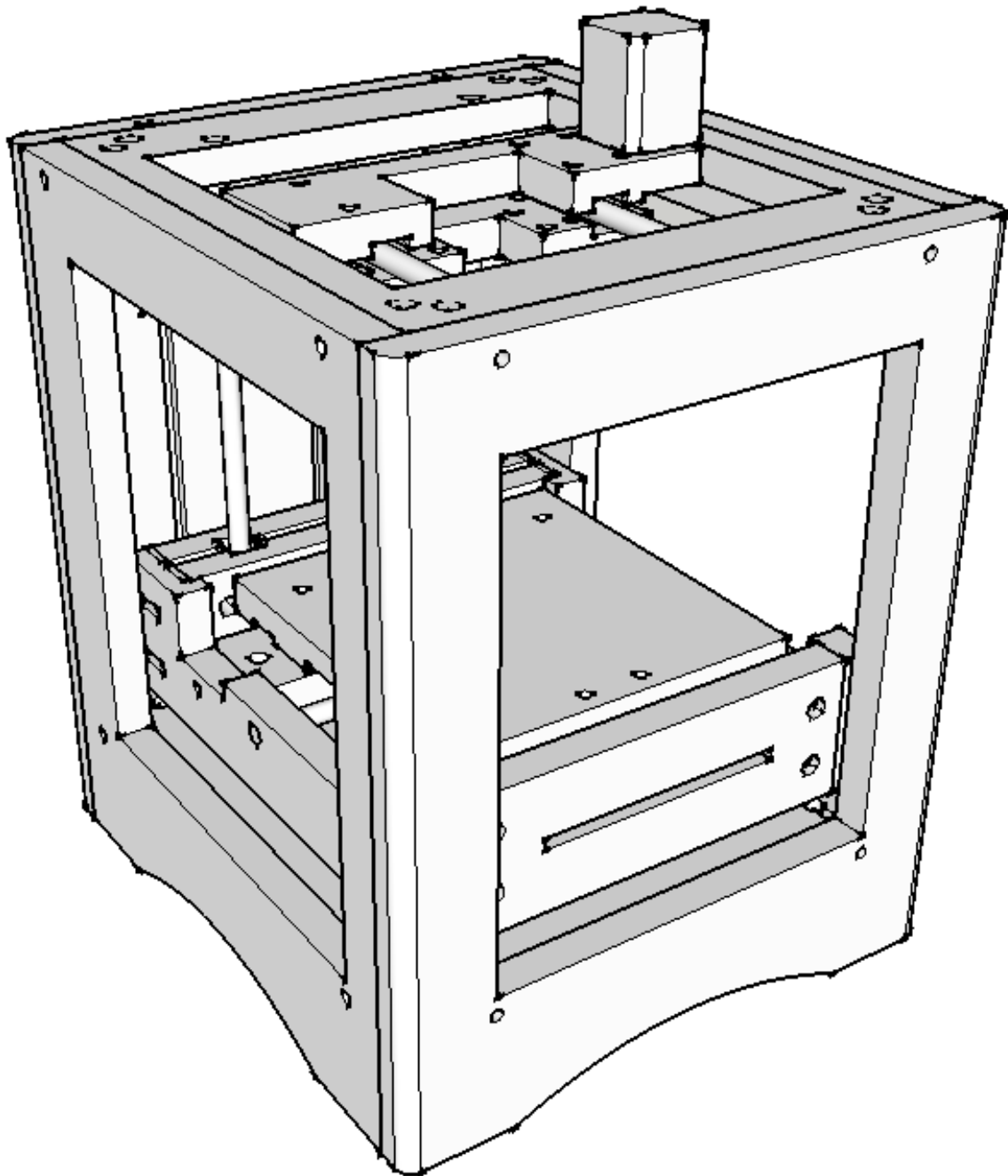
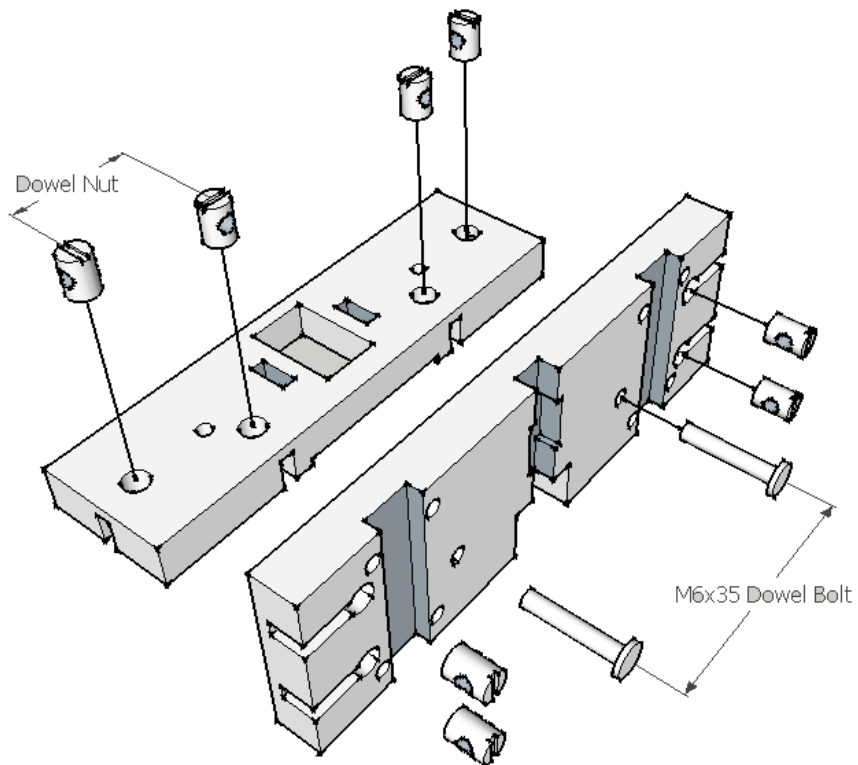
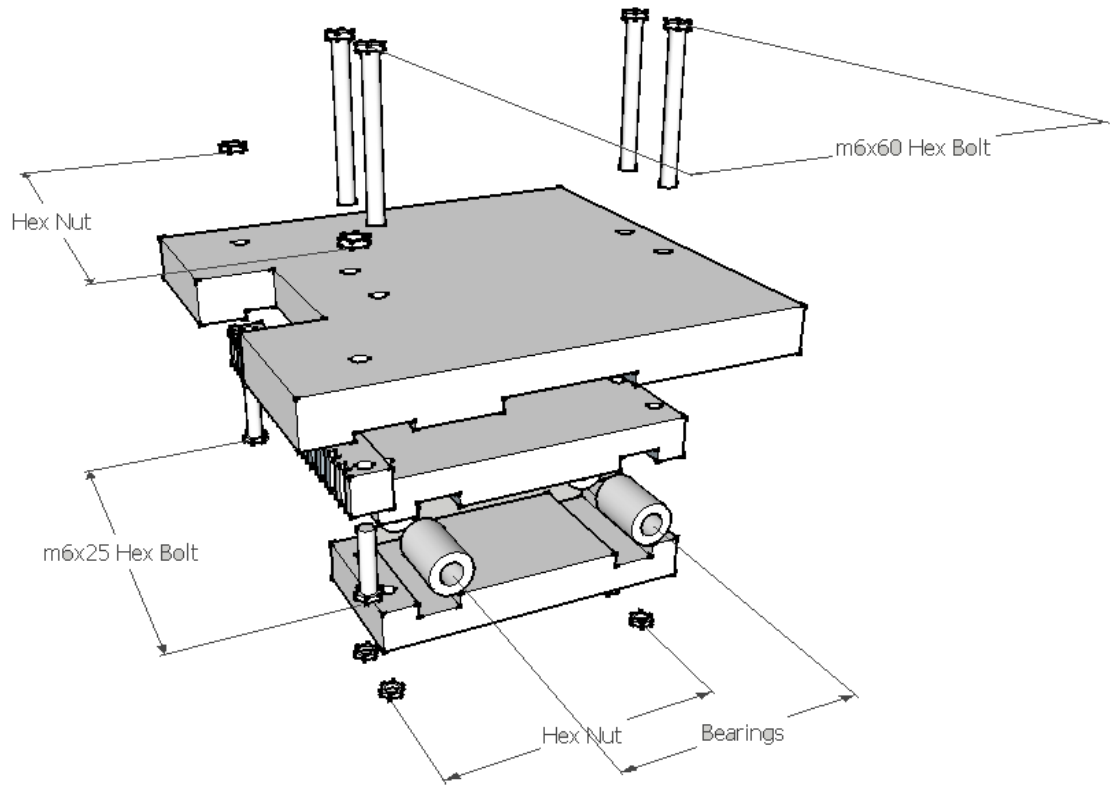


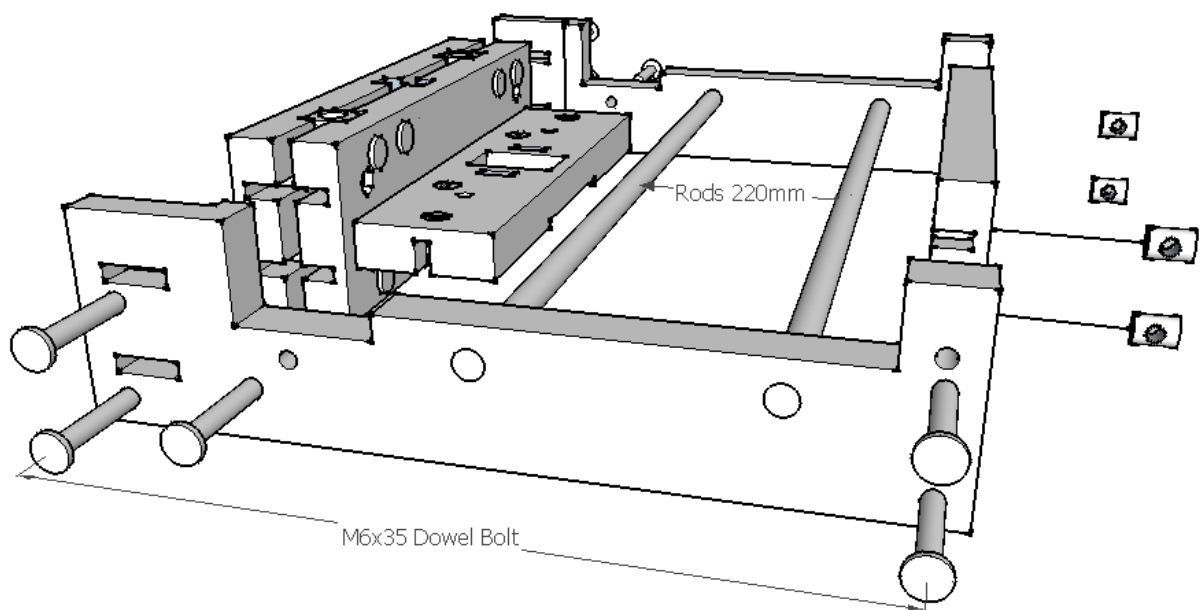
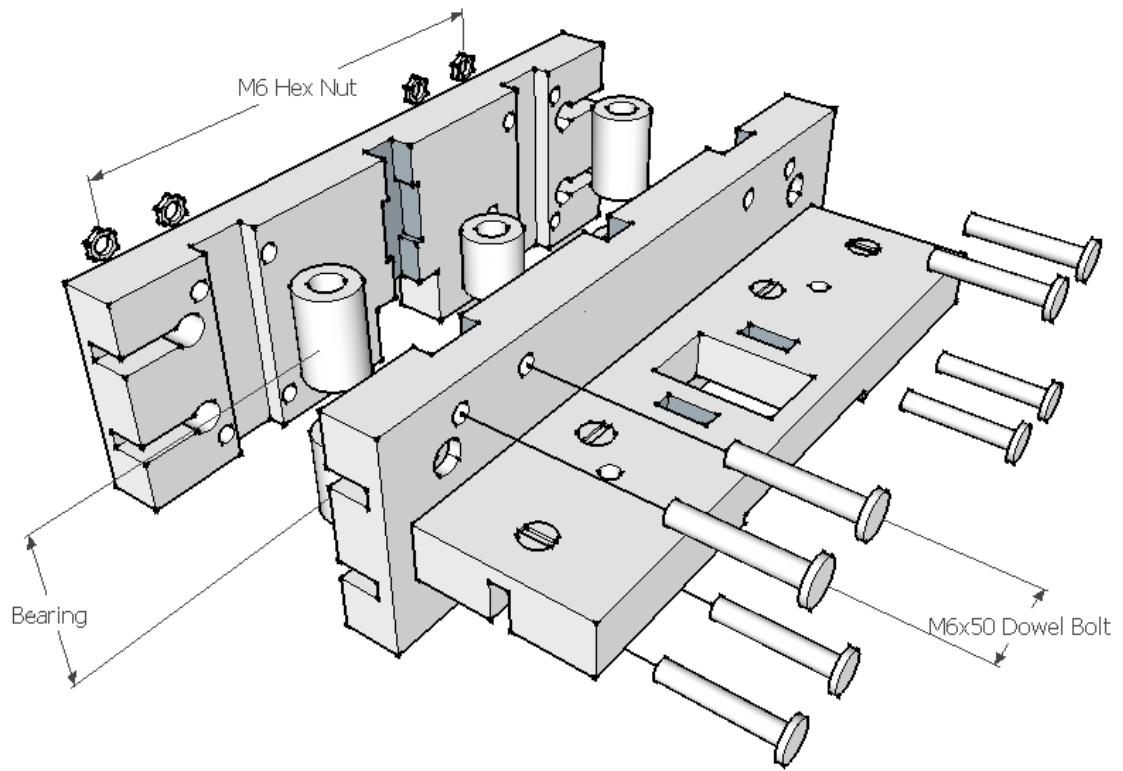
SUMPOD BASIC

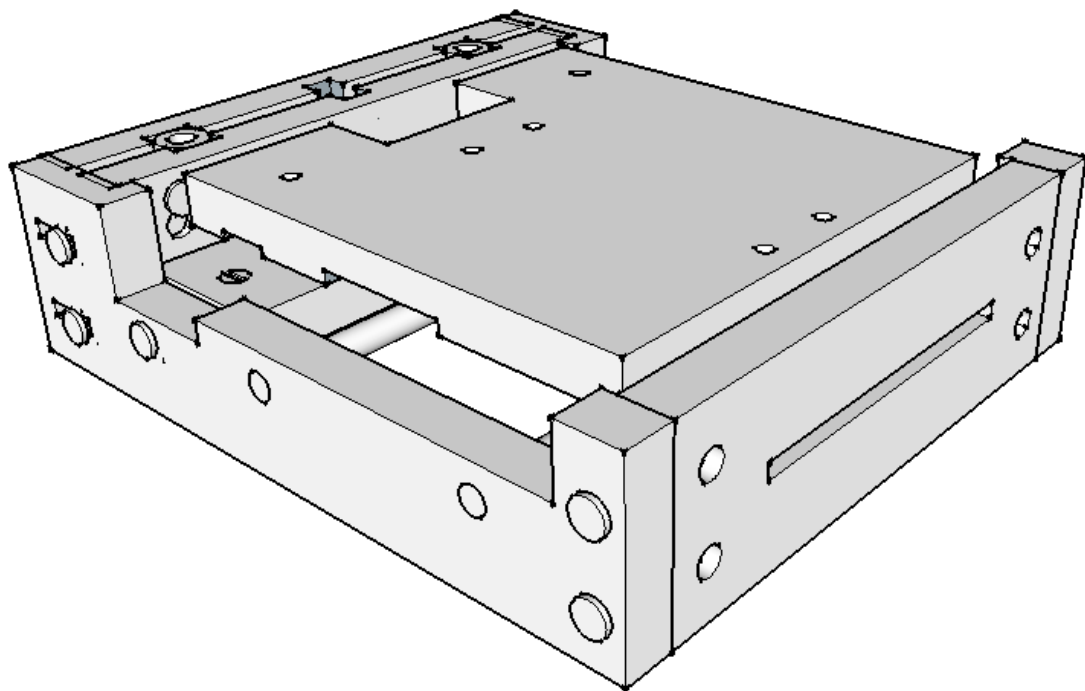
Frame Assembly Manual version 1.1



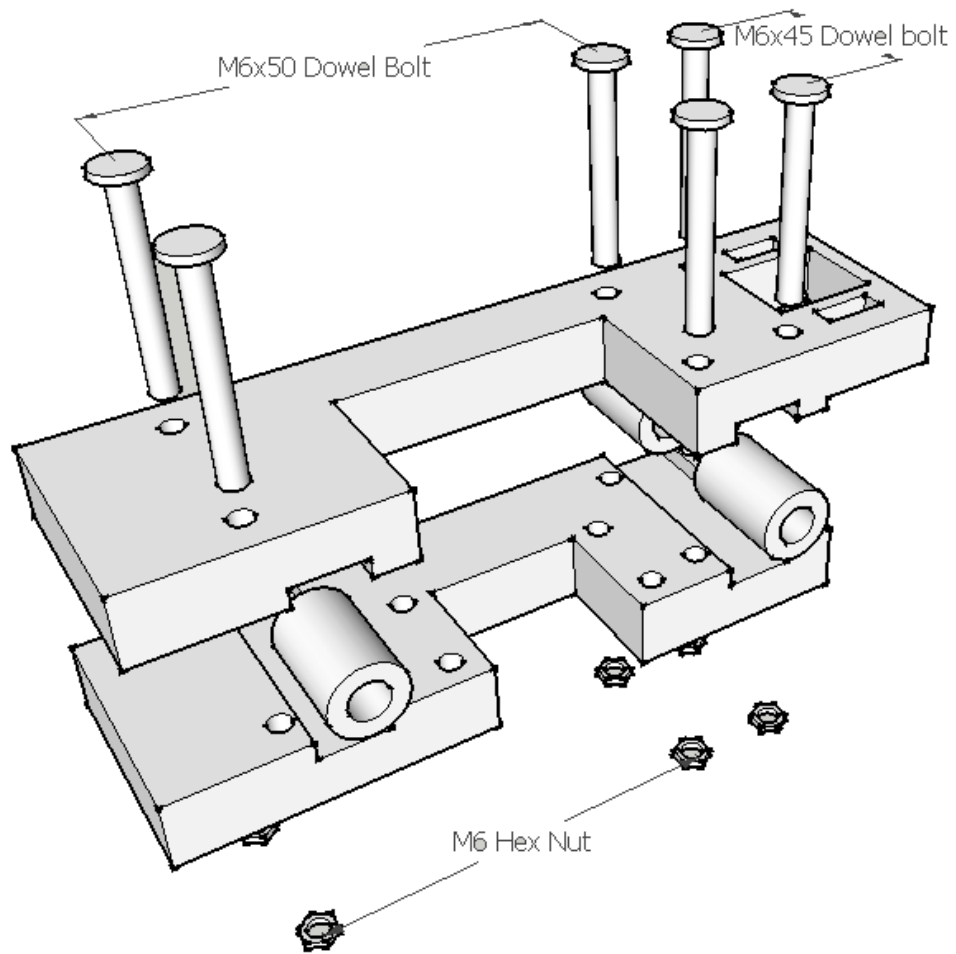
Lower Carriage



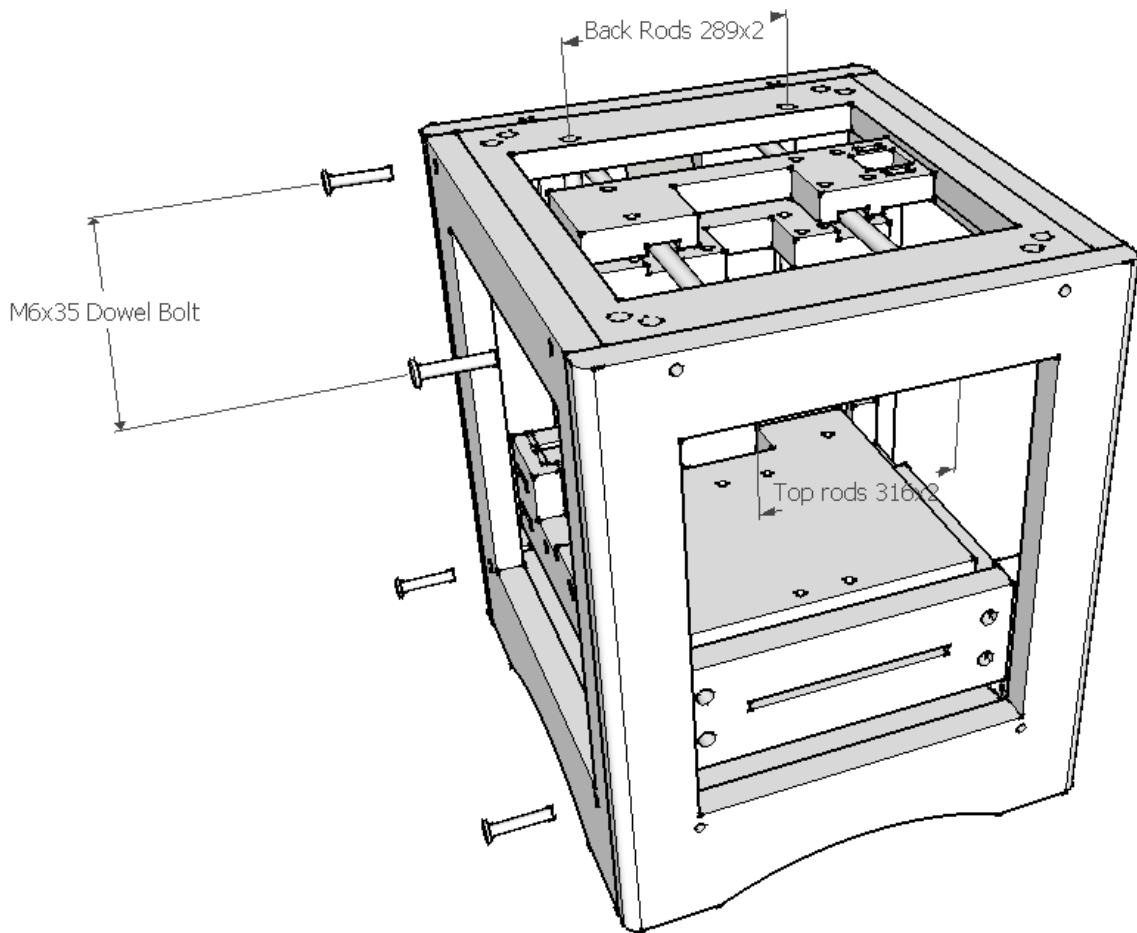




Upper Carriage



Final Frame Assembly



Extruder Assembly

