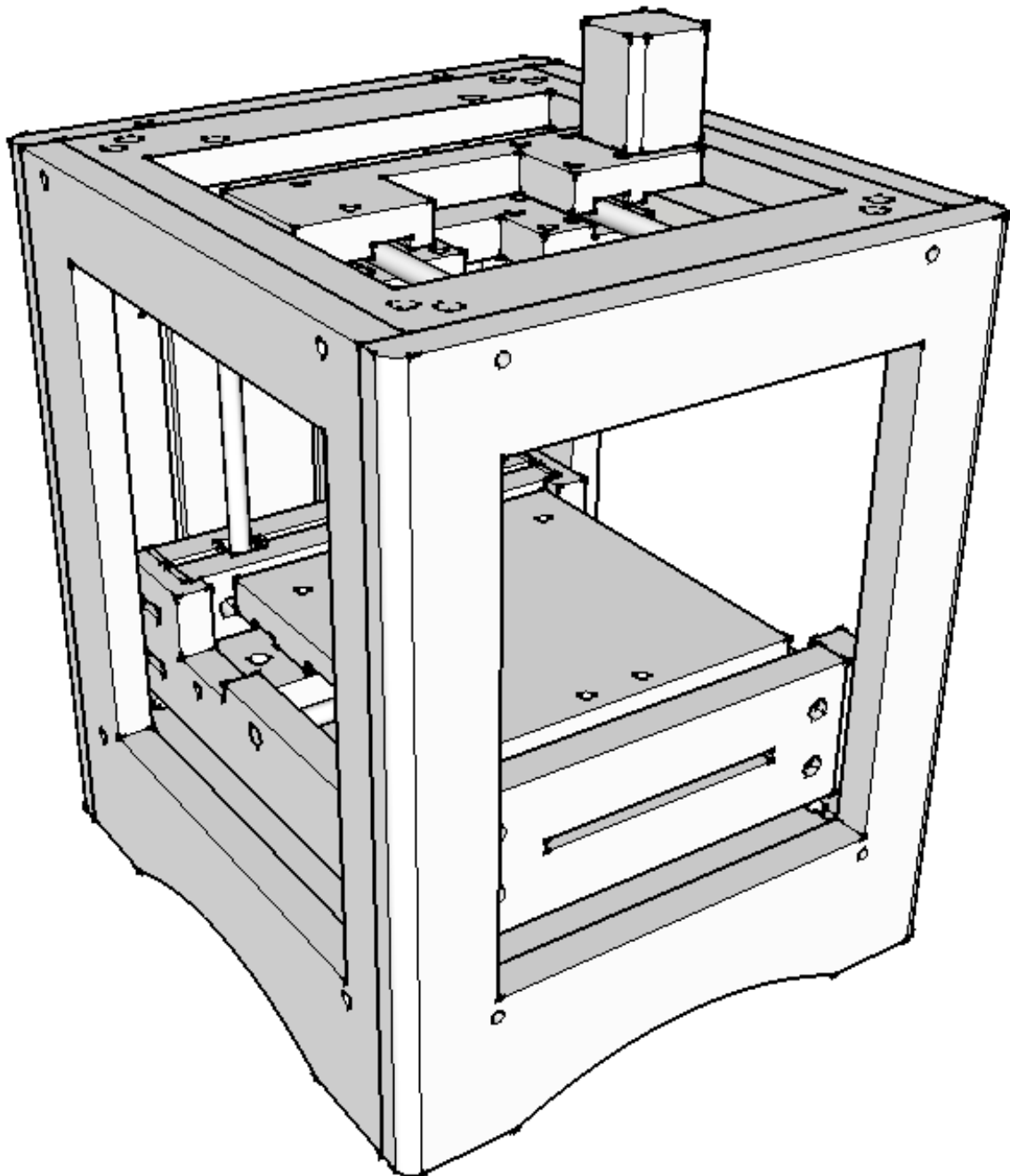


SUMPOD BASIC

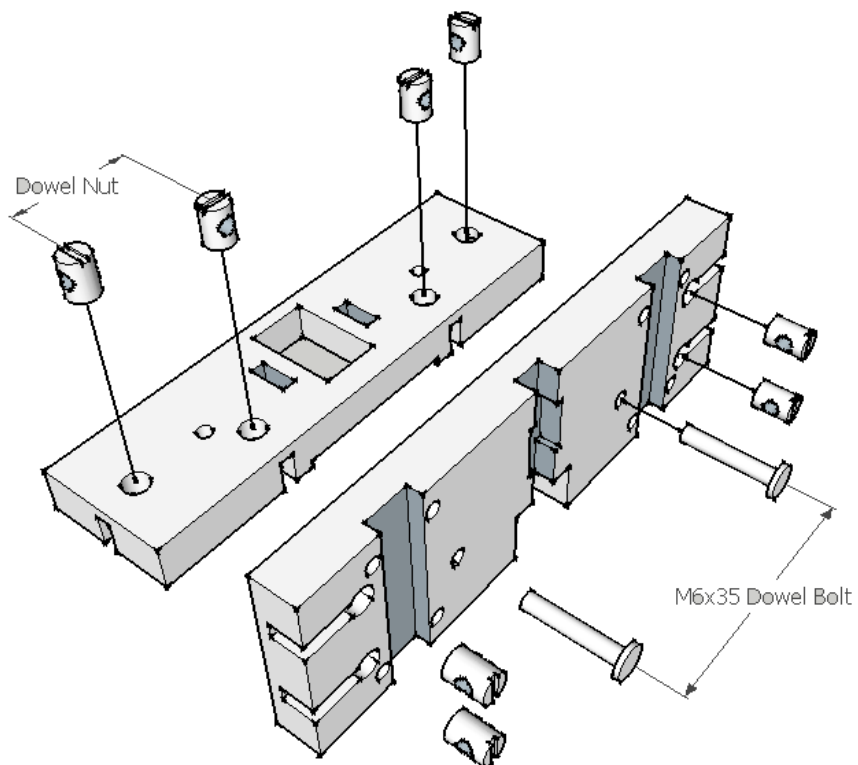
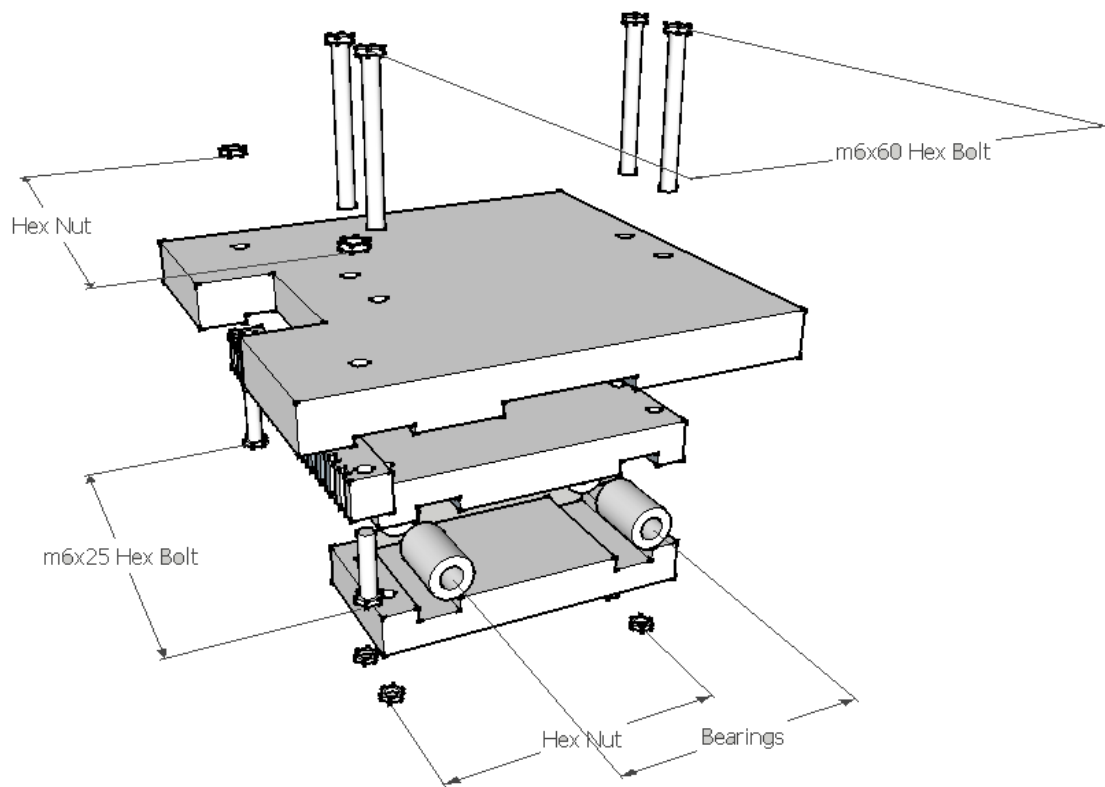
Manual version 1.2

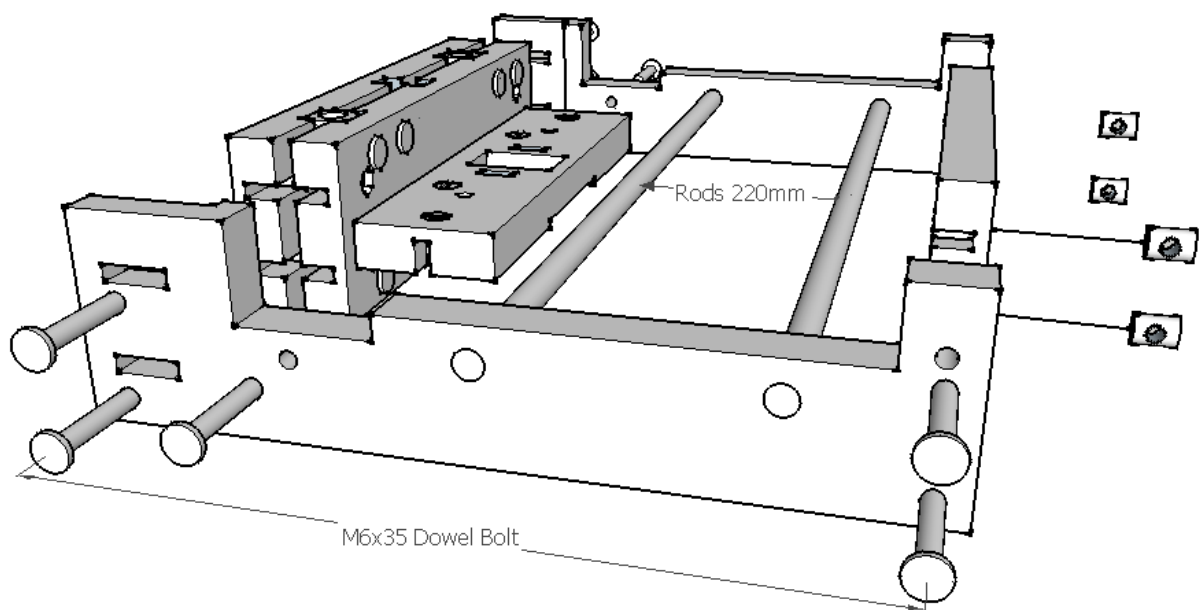
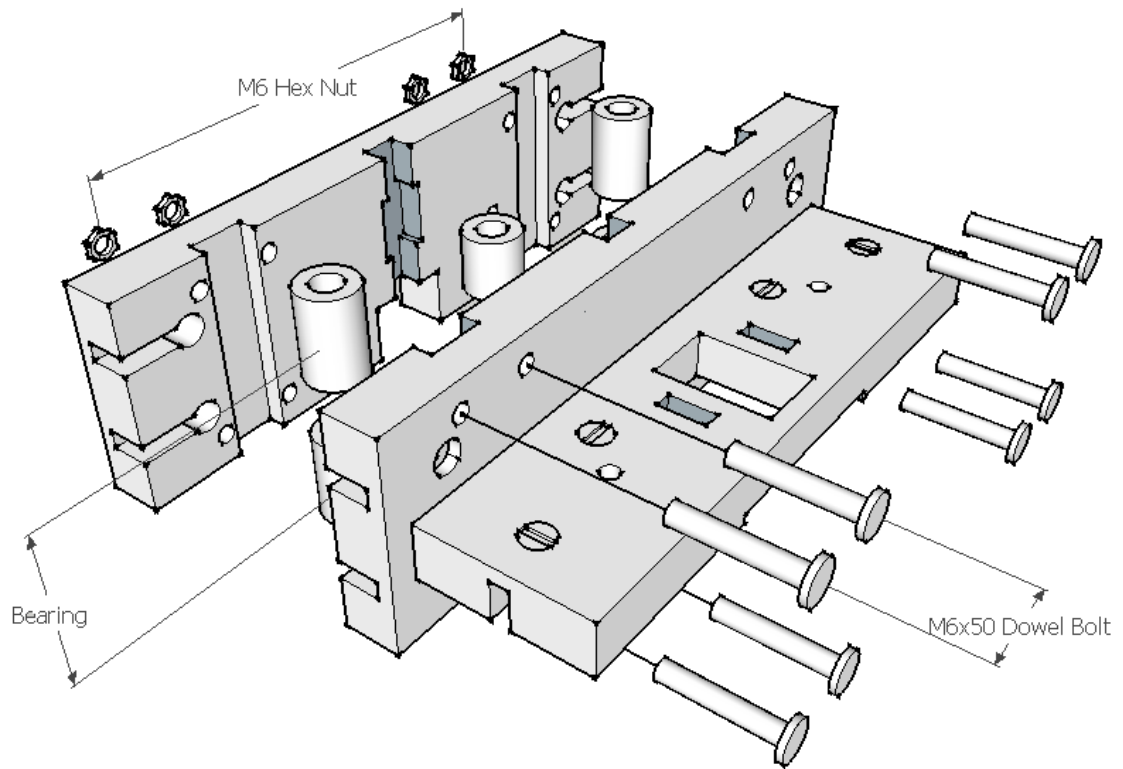


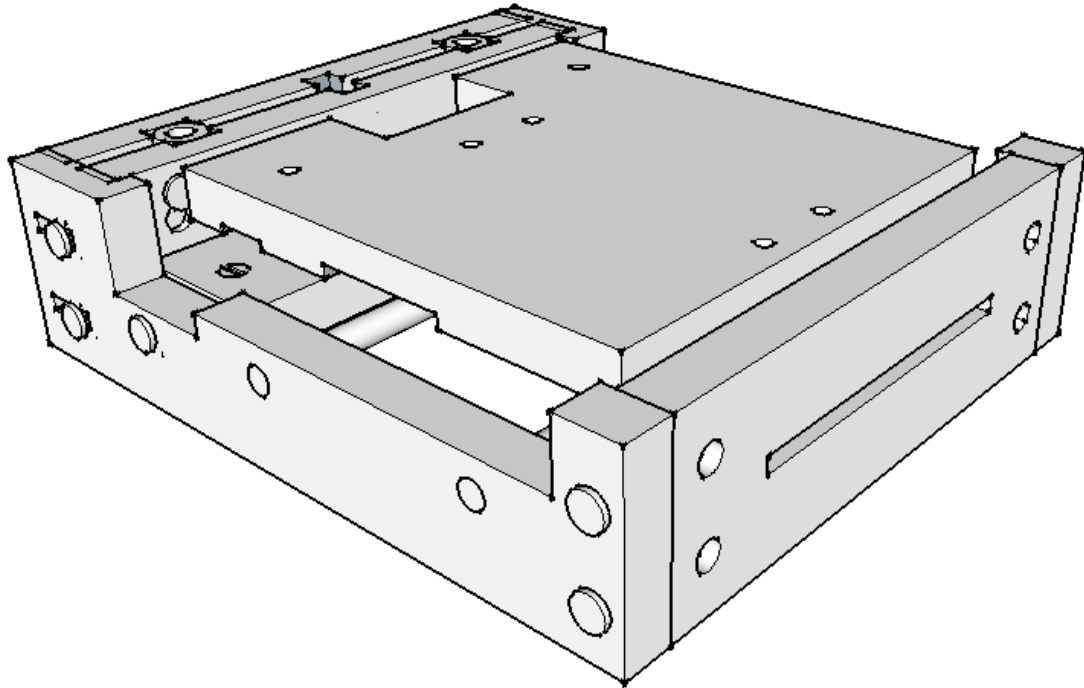
Disclaimer

Index

Lower Carriage

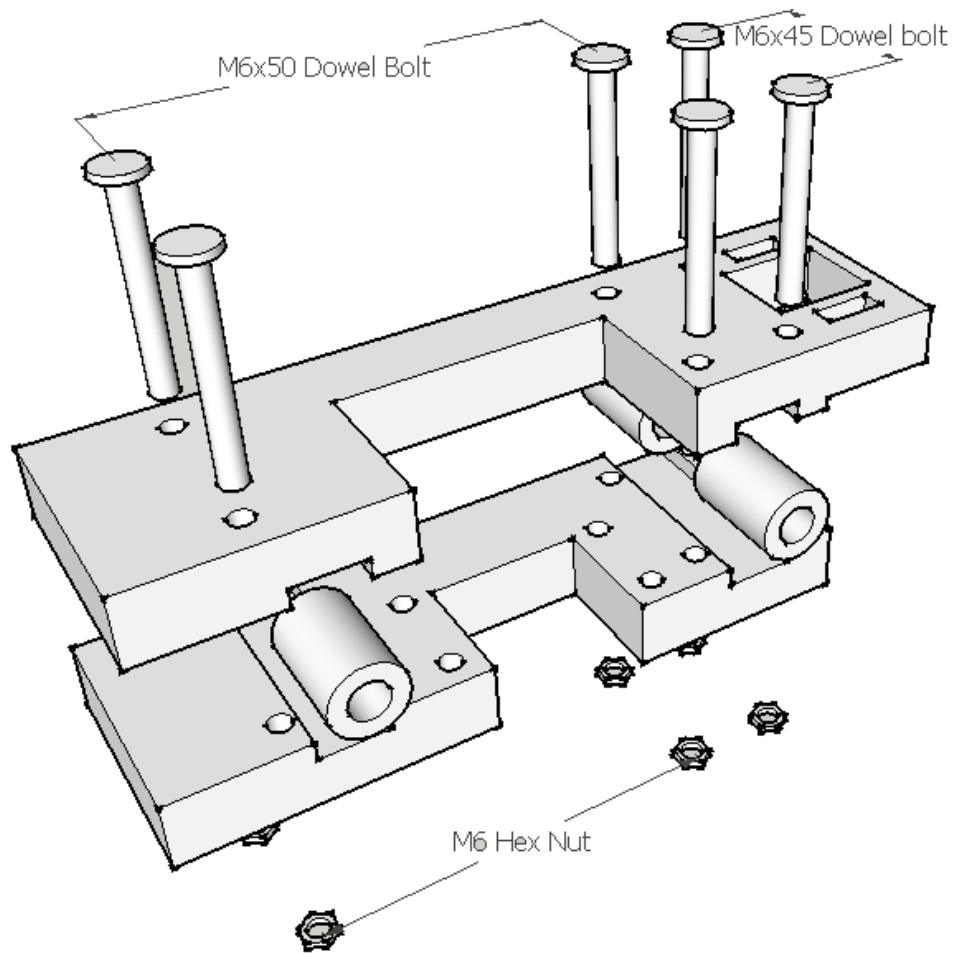




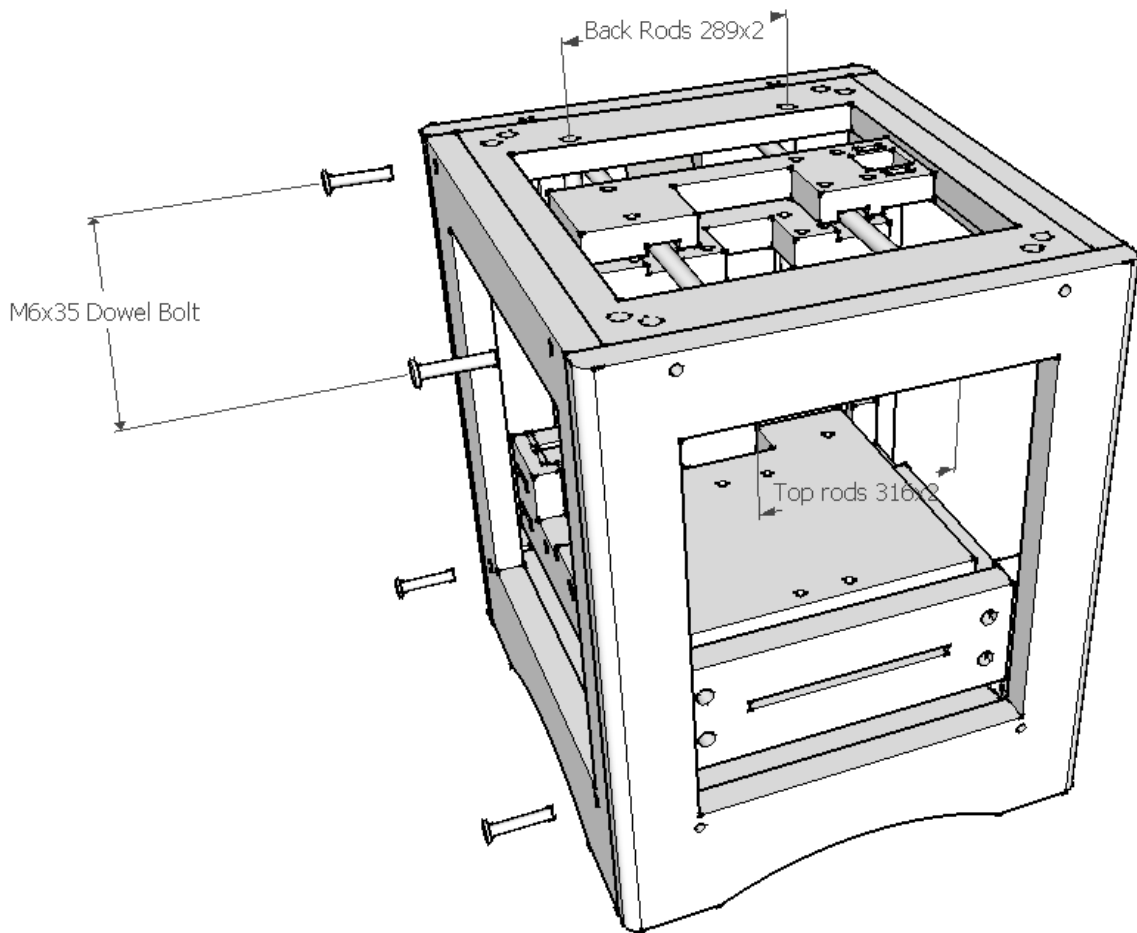


#

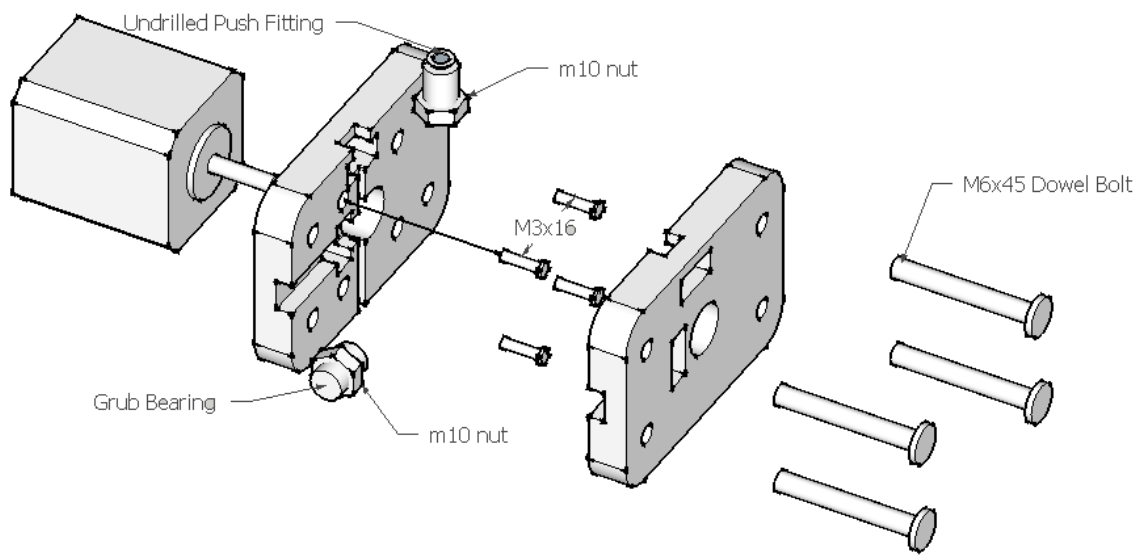
Upper Carriage



Final Frame Assembly

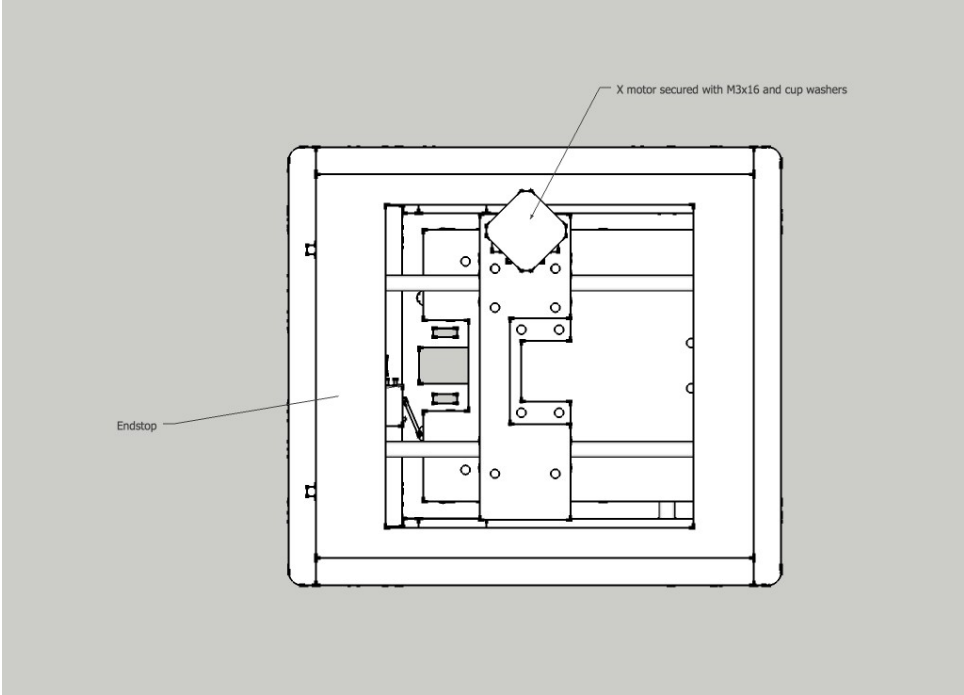


Extruder Assembly

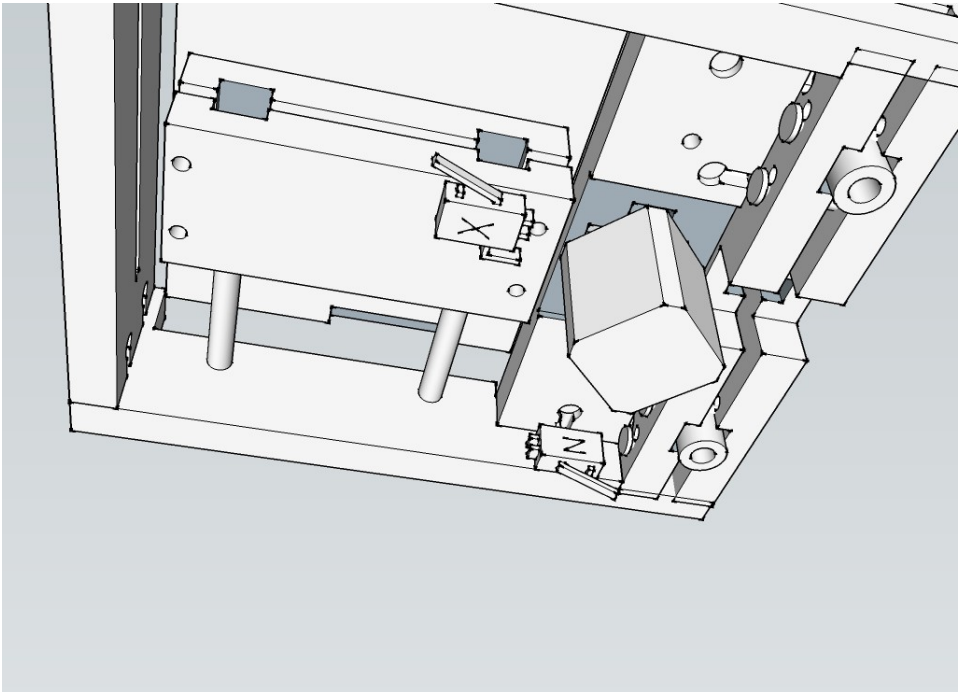


Motor Placement

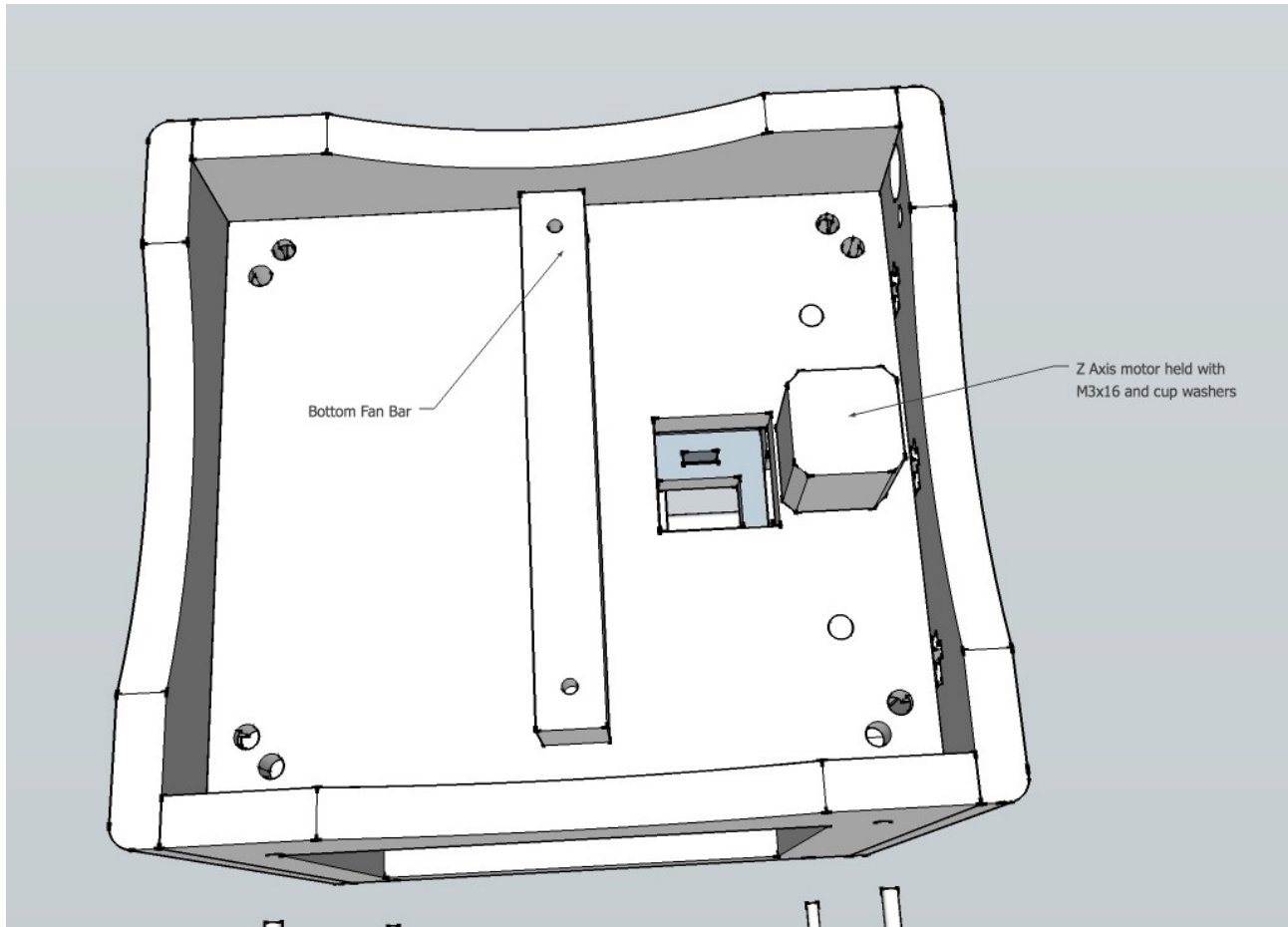
X Motor



Y Motor



Z Motor



The Bar is used to mount the fan which cools the electronics.
Always ensure fan is on.

Wires

