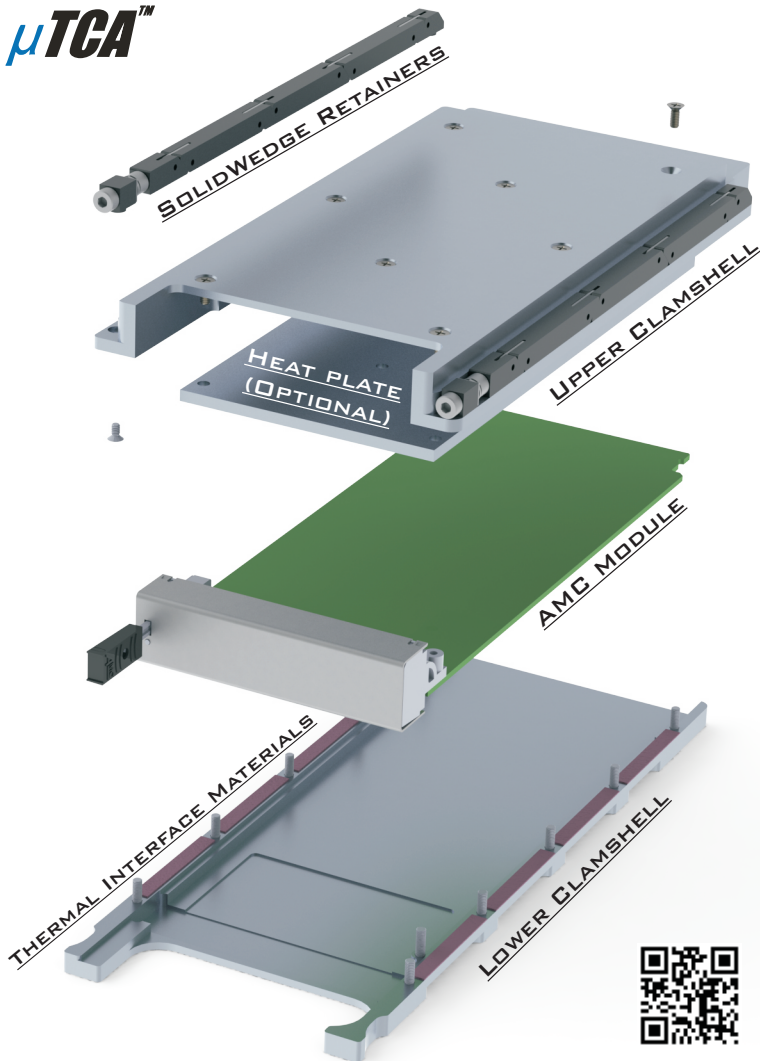


THE AMC DEVELOPMENT KIT PROVIDES THE ARCHITECTURE AND COMPONENTS TO FACILITATE RAPID DEVELOPMENT OF A MicroTCA.3 MODULE. OUR CLEARLY DEFINED PROCESS FOR MIGRATION TO CONDUCTION COOLED MODULES PROVIDES BUILDING BLOCKS WHICH ARE REUSABLE ACROSS MULTIPLE PRODUCT DEVELOPMENT CYCLES.



trμCOTS™

μTCA™



FEATURES:

- COMPLIES TO CURRENT MTCA.3
- OPEN SHELL DESIGN
- FITS MOST AMC MODULES
- CUSTOMIZABLE HEAT PLATE

STANDARD SIZES:

- HALF HEIGHT MODULE
- MID HEIGHT MODULE
- FULL HEIGHT MODULE
- POWER MODULE

KIT INCLUDES:

- UPPER CLAMSHELL
- LOWER CLAMSHELL
- SOLIDWEDGE CARD RETAINERS
- THERMAL INTERFACE MATERIALS
- ASSEMBLY HARDWARE
- 3D MODELS AVAILABLE

MATERIALS:

ALUMINUM 6061-T6

- UPPER CLAMSHELL
- LOWER CLAMSHELL
- SOLIDWEDGE

300 SERIES STAINLESS STEEL

- ALL FASTENERS

MICROTCA.3 CAN PROVIDE AN OPTIMUM SOLUTION FOR ORGANIZATIONS SEEKING A SYSTEMS-LEVEL MANAGEMENT STRUCTURE IN DEMANDING ENVIRONMENTAL APPLICATIONS. WITH A MATURE PRODUCT ECOSYSTEM, AMC MODULES PROVIDE SYSTEM ARCHITECTS WITH MODULAR, COST EFFECTIVE TOOLS REQUIRED FOR SYSTEM DEVELOPMENT AND DEPLOYMENT.

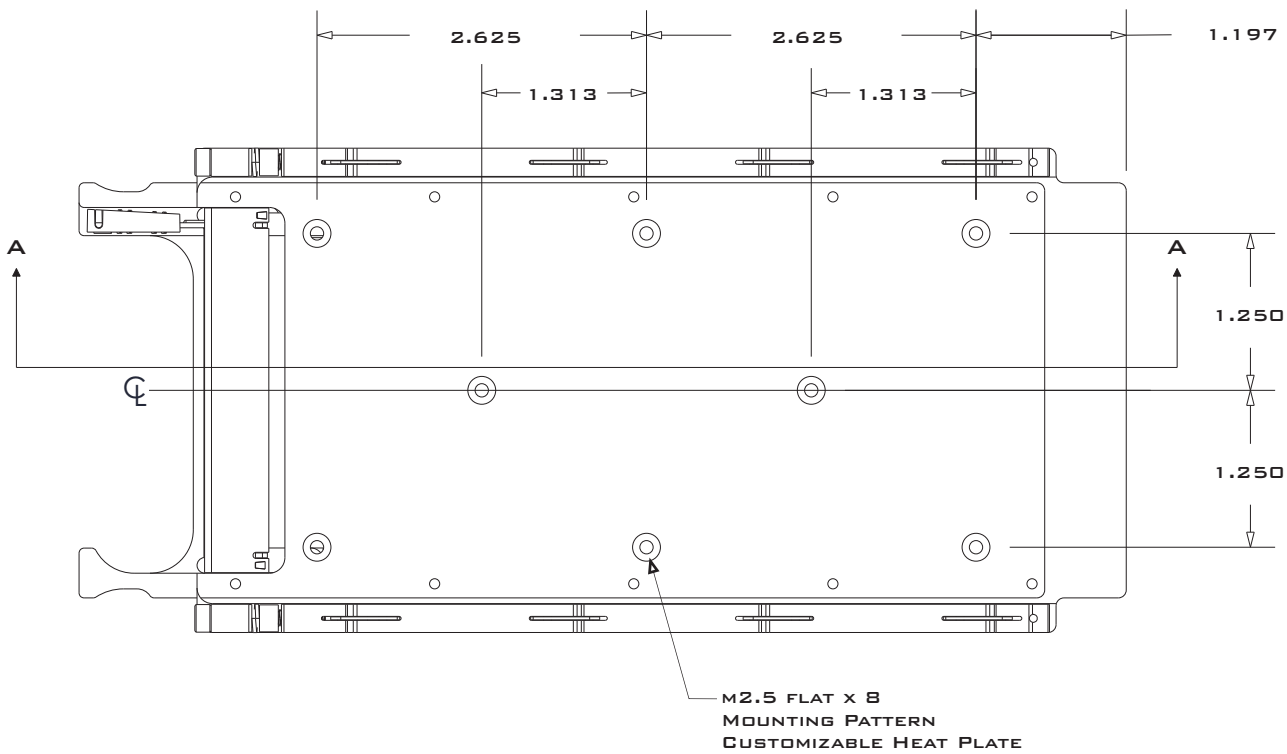
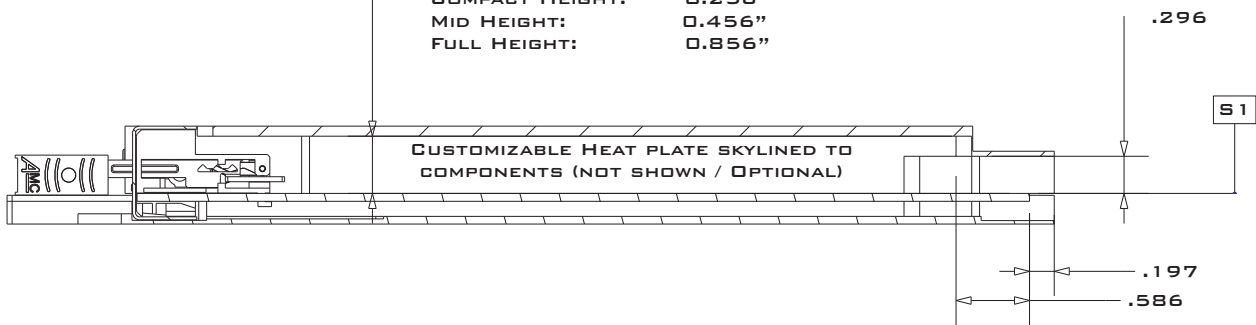
THE INTEROPERABILITY OF MicroTCA PRODUCTS HAVE BEEN PROVEN BY NUMEROUS COMPANIES IN BOTH LABORATORY AND FIELD APPLICATIONS.

DIMENSIONS (IN):

trμCOTS™



MAX COMPONENT HEIGHT THIS AREA:
 COMPACT HEIGHT: 0.256"
 MID HEIGHT: 0.456"
 FULL HEIGHT: 0.856"



BASED ON THE MICROTCA.3 DRAFT SPECIFICATION, THE CONDUCTION COOLED DEVELOPMENT KIT IS DESIGNED FOR RAPID DEVELOPMENT AND TESTING OF AMC MODULES. MOST AMC MODULES WILL FIT INSIDE ONE OF THE THREE STANDARD UPPER CLAMSHELLS. THERMAL INTERFACE MATERIAL OR THERMAL PUTTY CAN FILL THE OPEN SPACE OF THE UPPER AND LOWER CLAMSHELLS TO TRANSFER HEAT TO THE CARD EDGE FOR LOWER WATTAGE AMC MODULES. FOR HIGHER WATTAGE MODULES, A STANDARD 2.5MM MOUNTING PATTERN IN THE UPPER CLAMSHELL SUPPORTS CUSTOMIZABLE HEAT PLATES THAT CAN BE SKY-LINED TO HIGH WATTAGE COMPONENTS TO REDUCE THE THERMAL RESISTANCE TO THE UPPER CLAMSHELL. FOR EXTREMELY HIGH WATTAGE MODULES, OR MODULES THAT WILL NOT FIT ONE OF THE THREE STANDARD SIZES, CUSTOM CLAMSHELLS CAN BE DESIGNED LEVERAGING OFF OF THE EXISTING MODELS.

TC - CC - 4HP - SW - S

TRUCOTS

CONDUCTION-COOLED - CC
 AIR-COOLED - AC

MODULE HEIGHT

- 0.60" - 3HP
- 0.80" - 4HP
- 1.20" - 6HP
- 1.40" - PM
- 1.46" - MCH

SINGLE WIDE - SW
 DOUBLE WIDE - DW

SPLITTER KIT - S
 (DOUBLE WIDE ONLY)
 BLANK WITHOUT SPLITTER

μTCA™

PART # BUILDER