

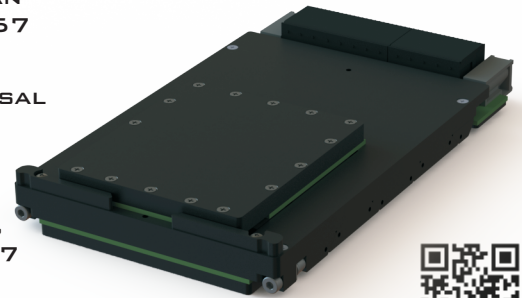
THE OPENCOTS CONDUCTION COOLED FMC ACCESSORIES KIT EMPLOYS COST-EFFECTIVE, STANDARD THERMO-MECHANICAL COMPONENTS THAT CAN BE RAPIDLY DEPLOYED FOR HARSH ENVIRONMENTS BASED ON THE VITA 57 CONDUCTION COOLED FMC SPECIFICATION.

THE REMOVABLE SECONDARY THERMAL RAILS (P# 1490-XX) ARE UNIVERSAL AND FIT BOTH SIDES OF THE FMC MODULE WHICH ELIMINATES THE NEED FOR UNIQUE UPPER AND LOWER SECONDARY RAILS.

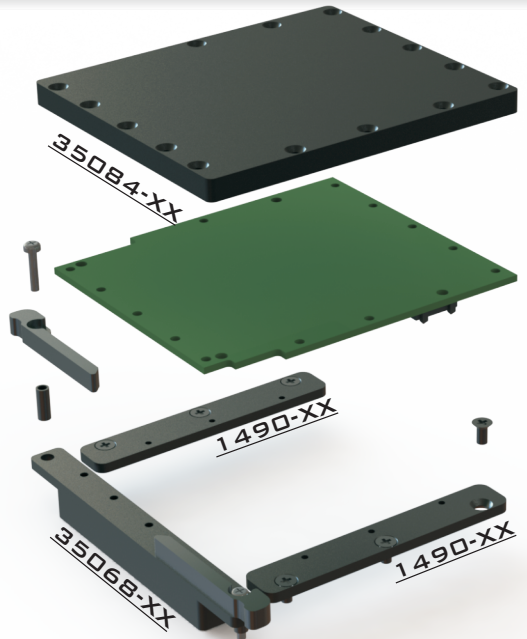
THE REMOVABLE FRONT I/O BRACKET (P# 35068-XX) ALLOWS FOR SUPPORT OF FMC MODULES BOTH WITH AND WITHOUT FRONT PANEL I/O, AND ALLOWS A SINGLE DESIGN TO SUPPORT ALL REGIONS IN THE VITA 57 FMC STANDARD.

THE REMOVABLE TOP COVER (P# 35084-00) ALLOWS FOR SUPPORT OF 4HP(0.80") AND 5HP(1.00") SLOTS, AS WELL AS 2-LEVEL MAINTENANCE WITH A SINGLE, MODULAR HOST FRAME DESIGN.

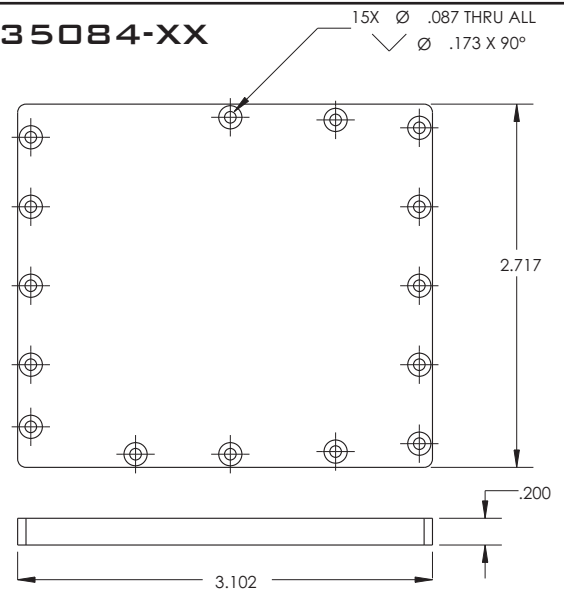
OpenCOTS™



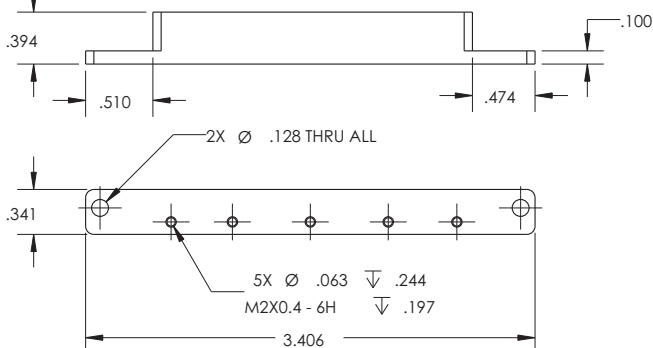
CC-CC-VPX-3U-5HP-SS-FMC



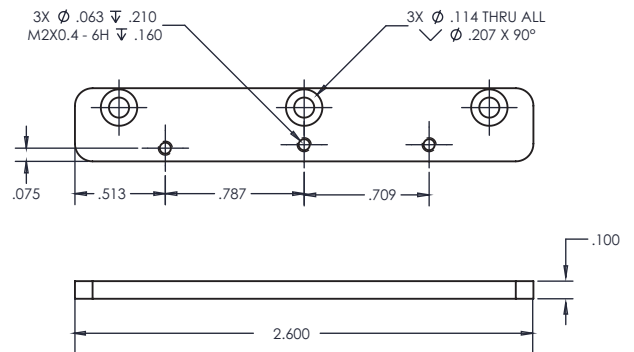
P#35084-XX



P#35068-XX



P# 1490-XX



MATERIAL:
ALUMINUM AL6061-T6

FINISH (-XX):

- BA** - BLACK ANODIZE PER MIL-A-8625, TYPE II, CLASS 2
- BH** - HARD BLACK ANODIZE PER MIL-A-8625, TYPE III, CLASS 2
- CC** - CHEMICAL FILM PER MIL-C-5541, CLASS 1A, CLEAR
- CG** - CHEMICAL FILM PER MIL-C-5541, CLASS 1A, GOLD, NON-ROHS
- EN** - ELECTROLESS NICKEL PER MIL-C-26074, CLASS 4, GRADE B, BRIGHT

OpenCOTS™