



TEG-PCITXM2 64-bit 10/100/1000Mbps Copper Gigabit PCI Adapter

TRENDnet's TEG-PCITXM2 64-bit 10/100/1000Mbps Copper Gigabit PCI Adapter is a high-bandwidth network adapter that auto-senses connection speed, half/full-duplex mode, and auto MDIX medium type. Network administrators can monitor performance remote with Wake-On-Lan. Save money and boost your network speed to 2000Mbps bandwidth with your existing Cat5 cables. TRENDnet's TEG-PCITXM2 is ideal for high traffic Power Servers, Network Gaming and Video Conferencing Multi-Media Workstations.



FEATURES

- ...→ IEEE 802.3, 802.3u and 802.3ab compliant
- ...→ Support 32/64-Bit PCI Local Bus Master high-speed operation of Rev. 2.2 specification
- ...→ One RJ-45 port with Auto Sensing and Auto MDI-X Medium Type Detection
- ...→ Supports Full-Duplex mode and doubles the bandwidth to 20/200/2000Mbps
- ...→ Supports Win98SE/ME/NT4/2000/XP, Linux and Netware
- ...→ 802.3 Full Duplex Flow Control, including
- ...→ Automatic Transmission of Pause Frames based on Rx FIFO thresholds
- ...→ 128KB RAM On-Chip Buffer
- ...→ Supports PCI 2.2 Wake-on-LAN for remote wake up
- ...→ Plug and Play Installation
- ...→ 5-Year Warranty

BENEFITS

- ...→ **Performance:**
The full-duplex Gigabit adapter brings high bandwidth with up to 2000Mbps speeds.
- ...→ **User Friendliness:**
Plug and Play with drivers support all popular network operating systems.
- ...→ **Flexibility:**
Single RJ-45 connector auto detects 10/100/1000Mbps connection speed, Half/Full duplex mode, and Auto MDI-X medium type.
- ...→ **Cost-Effectiveness:**
Provides the benefit of Gigabit Ethernet networking with the familiarity of Ethernet that operates in existing 64-bit PCI Bus.



TEG-PCITXM2

64-bit 10/100/1000Mbps Copper Gigabit PCI Adapter

SPECIFICATIONS

Standards:

- IEEE 802.3 10Base-T Ethernet
- IEEE 802.3u 100Base-TX Fast Ethernet
- IEEE 802.3ab 1000Base-T Gigabit Ethernet
- ANSI/IEEE 802.3 Auto-Negotiation

Protocol:

- CSMA/CD

Data Transfer Rate:

- Ethernet: 10Mbps/20Mbps (Half/Full Duplex)
- Fast Ethernet: 100Mbps/200Mbps (Half/Full Duplex)
- Gigabit Ethernet: 2000Mbps (Full-Duplex)

Cabling:

- Ethernet: 2-pair UTP Cat. 3,4,5
- Fast Ethernet: 2-pair UTP Cat. 5
- Gigabit Ethernet: 4-pair UTP Cat 5/Cat 5E

Host Interface:

- 32/64-bit PCI Rev.2.2

Connector:

- Single RJ-45 UTP/STP, Auto MDI-X

Diagnostic LEDs:

- Link: 10, 100, 1000Mbps ACT, FDX/COL

Power Consumption:

- 4.25 watts (max)

Driver Support:

- Windows 98SE/ME/NT4/2000/XP,
- Linux Kernel 2.4.13 or above,
- Netware 5.x/6.x

Temperature:

- Operating: 0° to 40° C (32° to 104°F)
- Storage: -10° to 70° C (14° to 158°F)

Humidity:

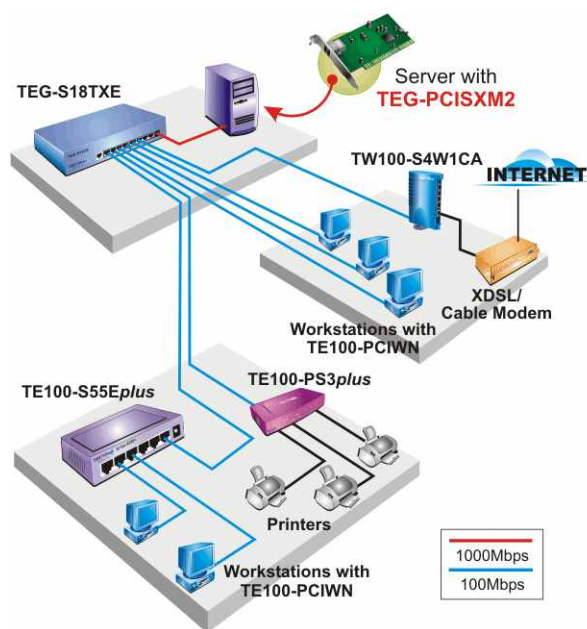
- Operating: 10 % to 90 %
- Storage: 5% ~ 90%

Certifications:

- FCC Class B, CE Class B, VCCI Class B



NETWORKING SOLUTIONS



To Order Please Call:
1-888-326-6061

RELATED PRODUCT

- **TEG-PCITXM2:**
64-Bit 10/100/1000Mbps Copper Gigabit PCI Adapter
- **TEG-S18TXE:**
9-port 10/100/1000Mbps Copper Gigabit Switch
- **TE100-PCIWN:**
10/100Mbps Fast Ethernet PCI Adapter/Realtek Chipset
- **TE100-S55Eplus:**
5-port 10/100Mbps NWay Mini Switch
- **TE100-PS3plus:**
10/100Mbps Multiple Protocol Direct Print Server
(3 Parallel)

ORDERING INFORMATION

TRENDware International, Inc.
3135 Kashiwa Street
Torrance, CA. 90505. USA
Tel: 310-891-1100
Fax: 310-891-1111
Web: www.TRENDNET.com
Email: sales@trendware.com

