

# NBC3-F

## Wall Mount For LCD,LED&Plasma TV'S



NBC1-F Wall mount is designed and cater for current market's LCD, LED flat panel TV screens. Designed with space saver, this wall mount is suitable for home use and commercial. Its high tensile rigidity, trendy and dynamic looked offered you the best of viewing temptation.

### The hook can be moved on horizontal

■ The product's hook can be moved freely in the safe distance of wall plate.

### Easy Installation

■ It is easy and fast for installation and disassembly. It can save one third installing time than any universal wall mounts.

### Slim and energy saving concept

■ This NB product is designed and manufacture for the trendy slim flat panel LED TV. Its eco-friendly design features allow you to save space, lower materials usage and to enhance to your green living environment.

### Slim and thin flat panel TV mount

- Fits most 40"-60" flat panel TV
- VESA compliance : 200x200mm  
200x400mm, 400x400mm, 400x600mm
- Load capacity : 125lbs ( 56.7kg )
- Tilt angle : 0°
- Swivel : 0°
- Color : Black
- Material : SPCC with coating finished

## Product Features



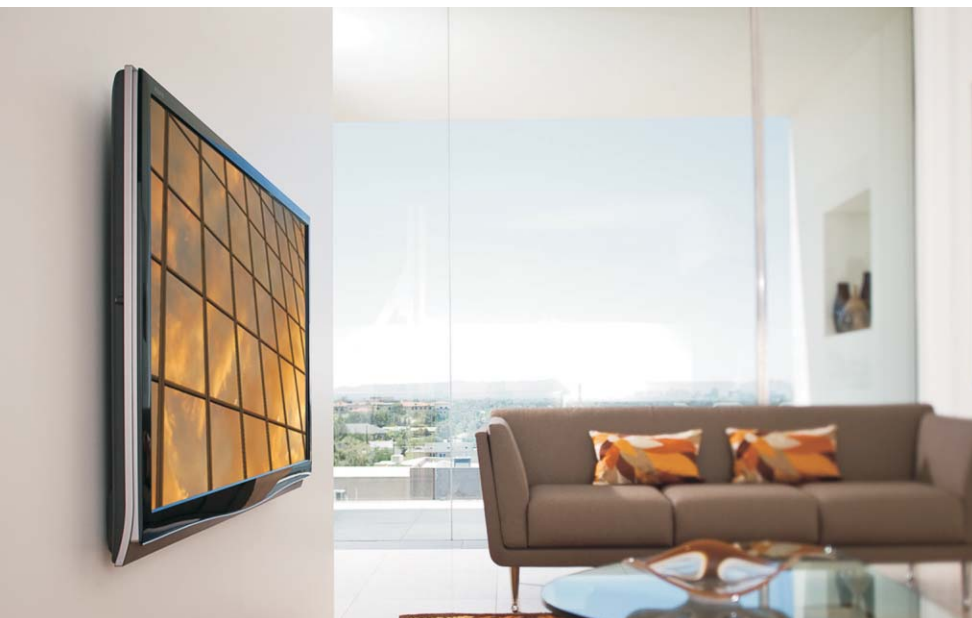
Verticals rails auto clicks and locked designed



Verticals rails pull and unlocked designed



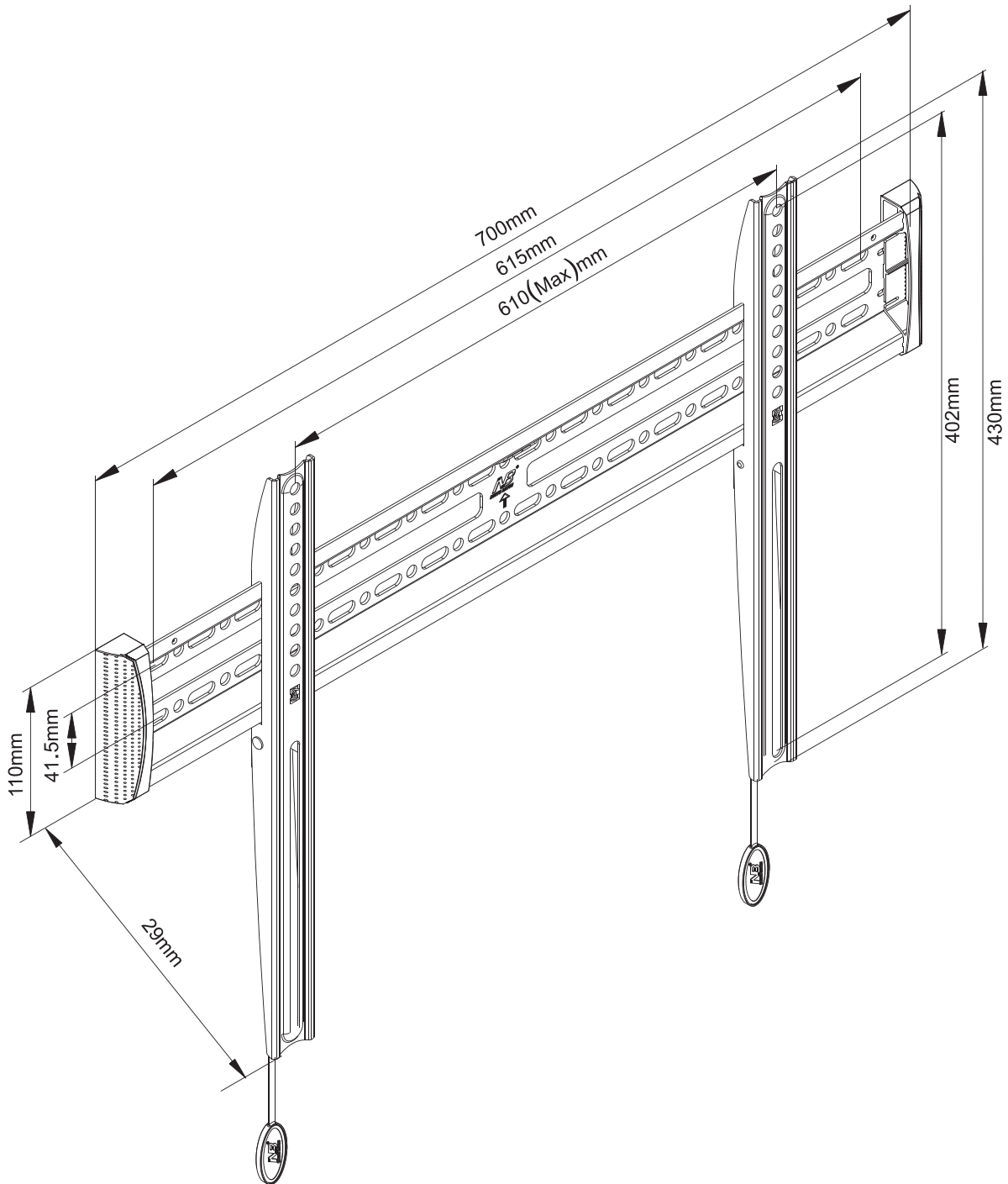
Slips off prevention designed



Be able to fit in a variety of accessories:  
With additional of our wall shelf products:  
FOXGS-S, FOXGS-D



# NBC3-F Slim and thin flat panel TV mount



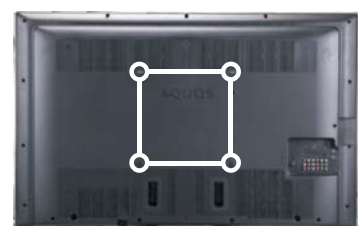
## Notes

Please study and understand your TV's mounting holes distance prior to your TV bracket selection.

Mounting holes distance measuring methods:

From mounting hole centre left to mounting hole right centre,

From mounting hole centre right measure down to right corner mounting hole centre.



VESA(TV mounting holes )

For more information, please visit: [www.nbavmount.com](http://www.nbavmount.com)