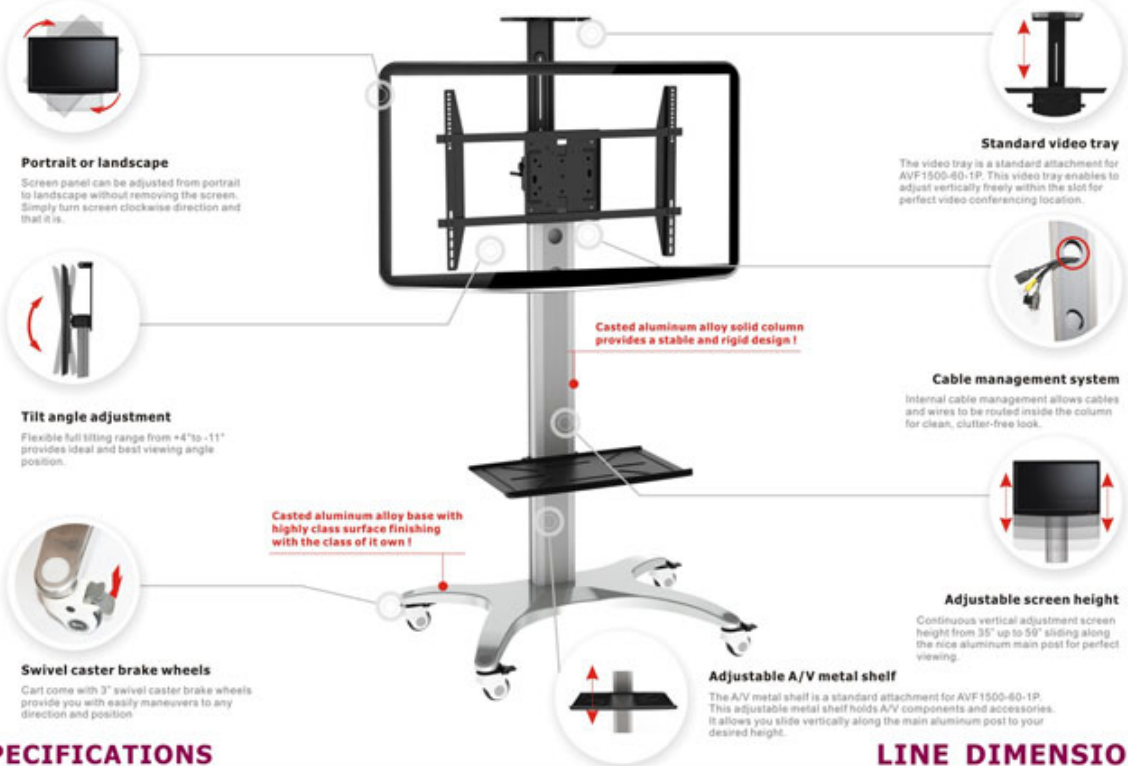


Mobile Flat Panel TV Cart

Data Sheet - AVF1500-60-1P

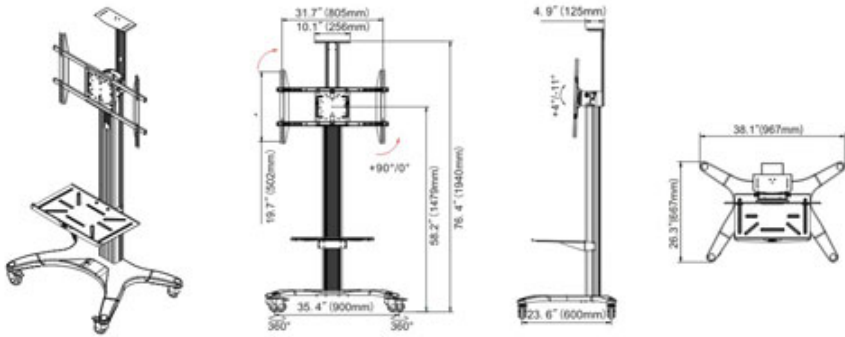
This new universal flat panel Aluminum TV cart offer the most complete mobile solutions for any application. This versatile presentation cart allow you to hold meetings with A/V equipment or just to display information. Whether video conferencing or doing presentation at trade events, flat panel mobile carts are your best choice of solutions.



SPECIFICATIONS

- TV Size:** 40" - 60"
- Load Capacity:** 100lbs (45.5kg)
- Tilt Angle:** +11° / -4°
- Swivel:** 90°
- Color:** Silver
- Material:** Aluminum alloy post and base with anodized finished.

LINE DIMENSIONS



VESA COMPLIANT 200x200 300x300 400x200 400x300 400x400 600x400 800x400 800x500 Unit:mm