

# QB Industries

7 Margaret Street CLIFTON, QLD Australia +61746123100 [www.quadbar.com](http://www.quadbar.com)

## The “QUADBAR” – Passive Roll Over Protection

### SAFETY

Always be aware of the height of the Quadbar to avoid obstacles (as you would with the width of the quadbike)

Never use the Quadbar to support a load, including persons, loads on the carry rack and any loads attached to the quadbike, including any accessories, tools, aids, and modifications not sanctioned by QB Industries.

Undertake a risk assessment of the implications of fitting a Quadbar and take appropriate steps to avoid any threat to injury (particularly note to any restriction of trailer use).

Asses any risks associated with towing, equipment and accessories in respect to limitations the Quadbar may place on said accessories and ensure operation has regard to the identified limitations.

Use in conjunction with other safety measurements including using an alternative vehicle more suited to the task, training, use of Personal Protection Equipment (PPE).

Maintain in sound condition the Quadbar, mounts and mounting points

Upon fitment of a Quadbar, DO NOT:

- use the Quadbar to support a load, including persons, loads on the carry rack and any loads attached to the quadbike, including any accessories, tools, or other aids.
- make any modifications to the Quadbar without the express permission and sanction (in writing) from QB Industries
- Use the quadbike in a manner that would increase the risk of roll over
- Use the Quadbar for any other purpose
- Use the Quadbar with any operator restraints or seatbelt of any kind
- modify or repair – always replace the Quadbar if inspection following a roll over reveals damage or deformation of any components of the Quadbar

### Specifications and ratings

- Maximum dry vehicle weight 350kg
- Hoop Steel and Aluminium tube
- Horizontal variance between tow bar & rack 180 – 260 mm
- Overall height 1400 mm
- Approximate height above seat level 730 mm
- Weight 8 kg
- Padding 9 mm close cell UV stabilized
- Fittings laser cut for accuracy and consistency
- Fittings zinc plated

### Maintenance

1. Update safety and maintenance advice via Quadbar.com (Quadbar Manual)
2. Keep Quadbar clean and free of abrasive material
3. Lubrication – may be applied if required to bushes provided the lubricant materials does not attract and retain abrasive material such as sand
4. Weekly – visual inspection for damage, wear, structure corrosion, cracks and any sign of potential structure failure. Any defect part must be replaced immediately. Ensure warning labels are clean, replace if destroyed, missing, painted over or unreadable
5. 6 months – Inspect parts wear. Movement is allowed however replace any part of the component that exceeds the following tolerances:
  - Bolts (#4) less than 13.5mm and holes in tube (#11) greater than 15mm
  - Tubes (#8 & #10)33mm and Bush(#14) inside diameter 40mm

**Operation-** As per the quadbike owner’s manual and as set out in safety section above

### Warranty and sales contract

By purchasing and fitting a Quadbar, the purchaser enters into this contract agreement with the manufacturer of the Quadbar.

## **Manufacturer**

The Manufacturer claims, subject to the conditions below, that the Quadbar is designed to reduce the overall risk of injury in the event of a rollover, when the quad bike is used in a responsible manner and in accord with quad bike manufacturer's recommendations.

The Manufacturer supplies a multifit model Quadbar in good faith but does not guarantee that it will fit all makes and models. The purchaser is responsible for determining the suitability of the Quadbar to the specific make and model of quad bike that owner intends to fit the Quadbar to.

The Quadbar Manufacturer provides warranty on the replacement of parts including delivery to the Installer or, if there is no Installer, the seller:

1. when the parts are deemed by the Manufacturer in its absolute discretion not to have met the manufacturers specifications set out for those parts; or
2. when undue wear and tear occurs within a 12 month period after the sale of the Quadbar but which the Manufacturer in its absolute discretion accepts, not resulting from misuse of the product after sale.

Warranty does not include the Manufacturer accepting liability for all or any damage to the Quadbar, quad bike, persons, property or third party of any type including but not restricted to:

1. corrosion of any type.
2. abuse or misuse.
3. damage in any event, including roll over.
4. incorrect or poor construction or fitment.
5. fitting of the Quadbar for inappropriate use.
6. changes in vehicle dynamics.
7. breach of conditions, maintenance and safety requirements.
8. damage in transport.
9. injury of any type.

If, despite the above, the manufacturer is found liable to pay damages to any person, that liability shall, to the full extent allowed at law, be limited to the cost of replacing the defective part or parts or the sum of AUS\$500.00 whichever the Manufacturer in its absolute discretion shall elect.

## **Installer**

The Quadbar is supplied in kit form. The person or entity fitting the Quadbar is referred to as the "Installer" and is responsible for:

1. assessing the suitability and soundness of the quad bike to which the Quadbar is to be fitted.
2. the suitability, strength and soundness of the mounting points.
3. the correct and secure fitment.
4. ensuring all components are in sound order prior to fitment.

The Installer is responsible for all labour costs in the event of a warranty claim and must return any suspected defective parts to the place of purchase (at Installer own cost) for assessment by the Manufacturer or its agents of the warranty claim.

The Installer may in writing assign the role of Installer to the Purchaser.

## **Purchaser**

The Purchaser (and other users) of the Quadbar agree to the Warranty and Sales Contract Terms as set out above.

The Purchaser (and other users) of the Quadbar agrees to:

1. abide by any safety directions printed on the Quadbar, the owner's manual or any other safety directions.
2. assess any benefits, risks and limitations which may occur from use, including the use of other attachments and towed accessories.
3. include any other safety measures appropriate to use, such user training, personal protective equipment (PPE) etc.
4. not take unnecessary risks that may increase the likelihood of rollover because a Quadbar is fitted.
5. maintain the Quadbar in sound condition.
6. replace the Quadbar in the event of rollover.
7. agree that the Quadbar is supplied (notwithstanding manufacturing, testing and distribution lag time) with the design and materials that use current available technology

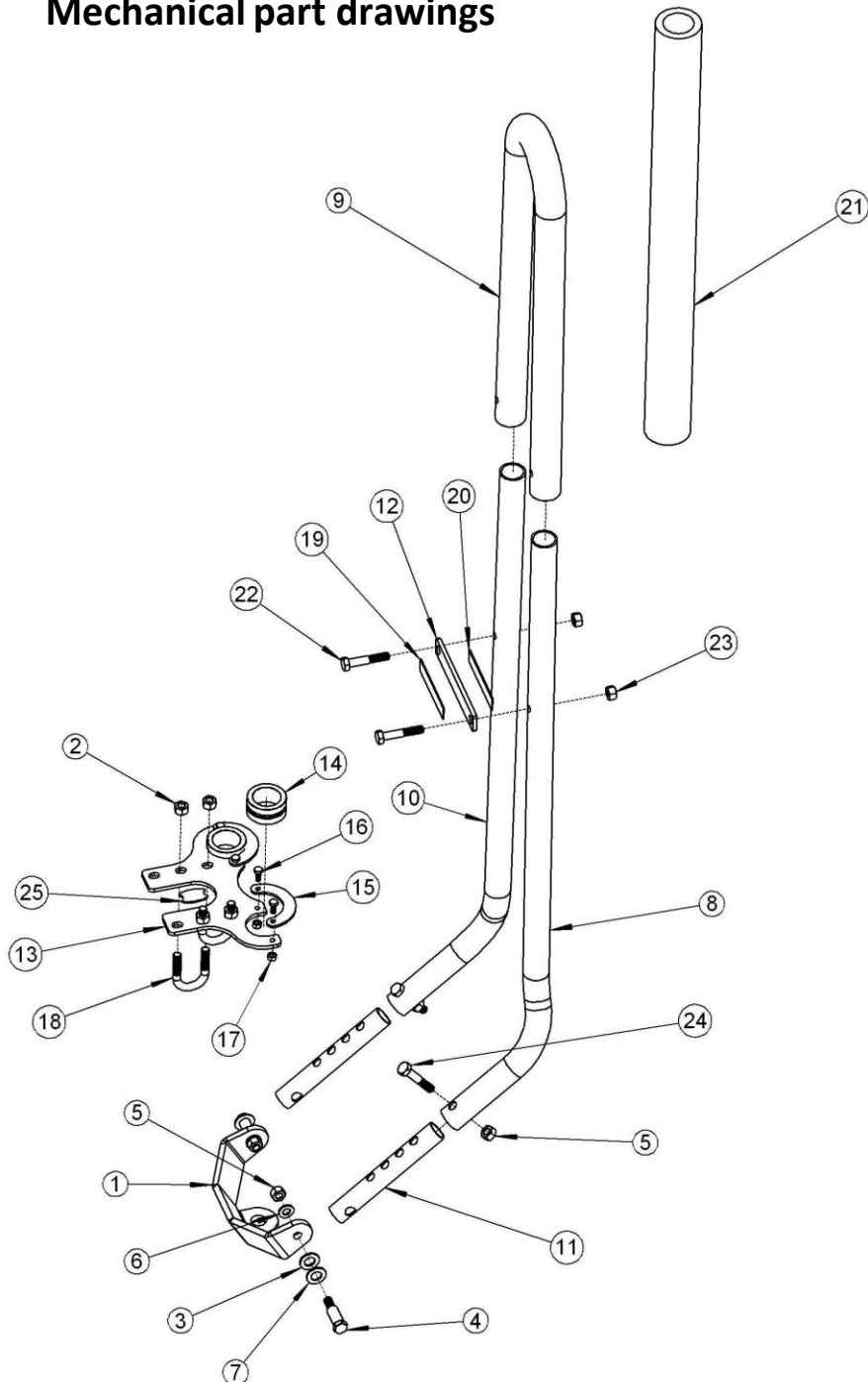
The Purchaser warrants with the Principal that the Purchaser shall ensure that each user of the Quadbike to which the Quadbar has been fitted is the agent of the Purchaser when using the Quadbike and uses the same subject to the Warranty and Sales Contract and the Purchaser will indemnify and save harmless the Principal for all and any liability the Principal may have to any such user as a result of any alleged failure of the Manufacturer, the Distributor or the Constructor in respect of the manufacture, assembly, distribution, sale and/or installation of the Quadbar.

## **Decommissioning**

The major components of the Quadbar constitute steel and aluminium which are readily recyclable

Not to be disposed of via landfill.

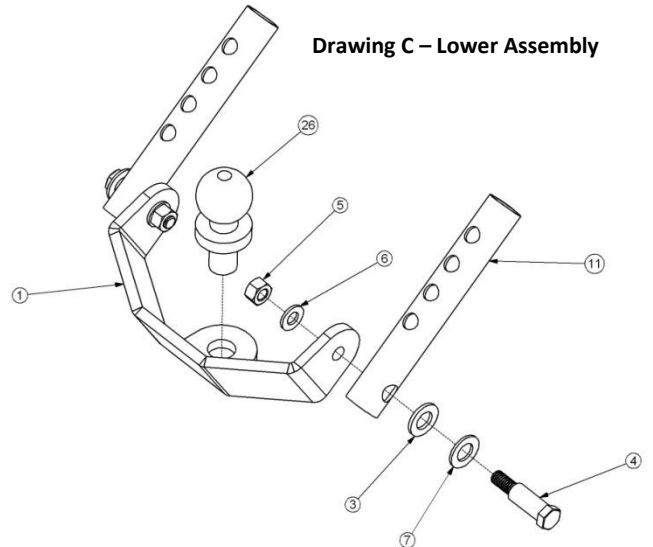
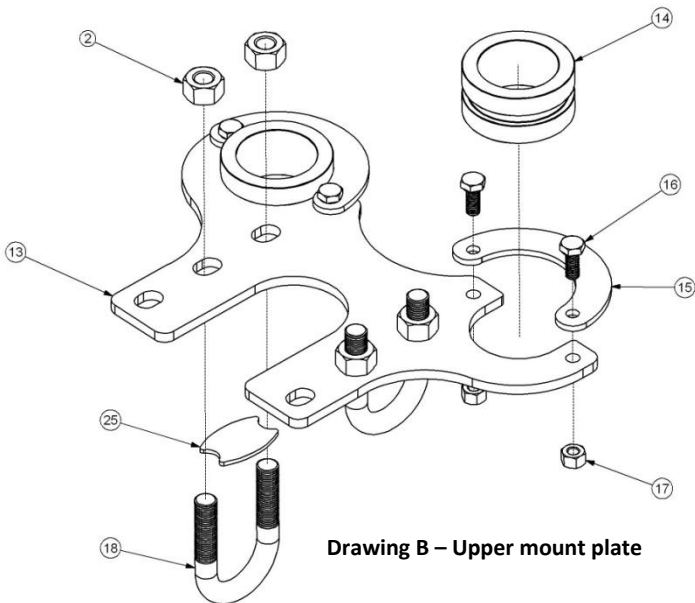
# Mechanical part drawings



# Mechanical parts list

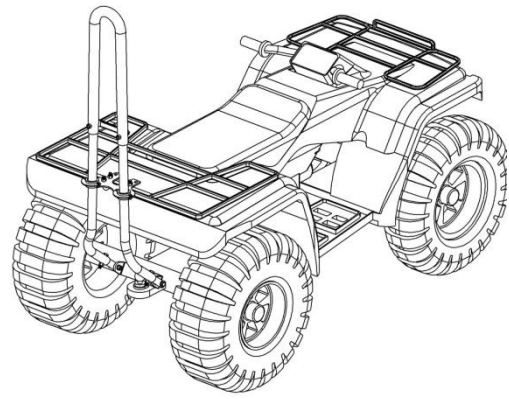
All items are available as replacement parts except 19

#	PART	DESCRIPTION	QTY
1	BP002	BOTTOM MOUNT PLATE	1
2	M10NN	M10 NYLOCK NUT	4
3	NW14	M14 NYLON WASHER	2
4	M10-14	M10 HT BOLT -STEPPED	2
5	M08NN	M8 NYLOCK NUT	2
6	FW10	M10 FLAT WASHER	2
7	FW14	M14 FLAT WASHER	2
8	25NBL1	MAIN STRUCTURE LH	1
9	AT402	UPPER STRUCTURE	1
10	25NBR1	MAIN STRUCTURE RH	1
11	20NB01	BOTTOM INNER TUBE	2
12	SB001	SUPPORT BAR	1
13	UMP002	UPPER MOUNT PLATE	1
14	B0051	BUSH	2
15	RP3001	3MMRETAINER PLATE	2
16	M615HT	M6 HT BOLT	4
17	M6NN	M6 NYLOCK NUT	4
18	UB1028	M10 HT U-BOLT	2
19		RATING/ DATA PLATE	1
20	WL001	WARNING LABLE	1
21	FT042	FOME TUBE	1
22	M1055HT	M10 HT BOLT 55mm	2
23	M10NN	M10 NYLOCK NUT	2
24	M0850HT	M8 HT BOLT 50mm	2
25	SP001	STIFFENER PLATE	2
		HAND BOOK	1



## Quadbar Fitting Instructions

It is recommended that a qualified tradesperson fit a Quadbar, however we recognise that in many circumstances qualified tradespersons may not be readily available. Therefore a suitably experienced person familiar with appropriate mechanical knowledge may fit the Quadbar. It is the responsibility of the person assembling the Quadbar to ensure that fitment of the Quadbar is sound and secure.



It is important to ensure correct tension on the nuts and bolts is achieved. Bolts (22) and (24) should be tightened to the point where there is no slack left in the bolt (i.e. the flanges of the bolt and the nut are just firm against their respective surfaces) then tighten a further ½ full turn. Ensure bolts (4) and (16) are tightened securely with a hand wrench/spanner.

To achieve correct fitment, the Quadbar must be loosely assembled first to ensure all components are correctly aligned and when correct, then all bolts may be tightened appropriately to complete assembly

1. Place quad bike on level flat surface.
2. Loosely assemble the lower components including parts 1, 3, 4, 5, 6, 7 and 11 as per **drawing B**; ensuring that washers are in the correct order and on the correct side of the bottom inner tubes (11)
  - i. Place 14mm steel washer (7) followed by nylon washer (3) on bolt (4) prior to inserting through bottom rollbar inner tube (11).
  - ii. Attached the left and right tubes(11) to bottom attachment plate (1) using 10mm flat washer (6) and M10 nyloc hex nut (5)
- 2a Attach assembled lower components to the towbar using tow ball or ¾ bolt (towball or ¾ bolt not supplied) N.B. bottom inner tubes(11) will pivot.
3. Assemble upper mount plate components (13, 14, 15, 16, 17, ) as per **drawing C**
4. Slide lower structures (8 & 10) over the bottom inner tubes (11) insert bolt only through holes using the middle hole on the inner tubes (do not attach washer & nut at this stage). Ensure that the two lower structures 'dog leg' towards each other.
5. Slide upper mount assembly(C) over the two main structures (8 &10)
6. Raise (pivot) the entire assembly to the rear rack and position the mount bracket (C) on top of the rear rack inserting U-bolts (18) from below. If the quadbike rack is constructed of round tubing, insert stiffener plate (25) between the rack and the upper mount plate. Attach nuts (2) DO NOT TIGHTEN.
7. Check vertical alignment of Quadbar, and adjust at bottom inner tubes if required. N.B If the Quadbar requires use of the lower hole(s) on the bottom roll bar inner tube (11) for the Quadbar to be vertical, the bottom inner tubes (11) will need to be removed and cut to an appropriate length to allow insertion into(8) and (10). (Ensure this is absolutely necessary prior to cutting and that the correct end of the tube is cut)
8. Fit protective foam (21) tubing over the upper structure (9). Slide the upper structure onto the top of the main structures (8 & 10). Check height of upper structure. Height adjustment allows for two settings. Drill out the pilot holes with a 10mm drill if the lower setting is required. Use the setting most suited to the usual rider so that the bar is not protruding above the height of the riders head.
9. Support bar (12) is fitted to the forward side of the structure using bolt (22) and nyloc nut (23). This part must be fitted as it is a structural component and should not be omitted.
10. Check alignment of the bushes (14) with main structures (8 &10). Ensure that the sides of the bushes are parallel with the main structure, and then evenly tighten the nuts on the u-bolts (18). Manually move the suspension up and down , its full travel, to ensure the bushes are correctly aligned with the main structures
11. Evenly tighten the nuts on the u-bolts (18). DO NOT bend plate (13).
12. Tighten all bolts on lower components.

If any safety decals are covered or obscured when the ROPS is mounted, it is recommended that you purchase replacement decals from the vehicle manufacturer. Mount them in a readable location at, or near, their original location before operating the utility vehicle.