

Part Number:00016-00076
Code: RX30



Conflicts

<p>1. Entune 2. Vehicle's with factory XM radio</p>

Kit Contents

Item #	Qty	Description
1	1	XM Module
2	1	XM Tuner Module
3	1	Wiring Harness
4	1	Hardware Bag
5	1	XM Antenna

Hardware Bag Contents

Item #	Qty Reqd.	Description
1	20	8" Black Cable Ties
2	2	Long Cable Ties
3	1	Foam Pad Sheet
4	1	Open Cell Foam Pad
5	1	Double Side Mounting Tape

Recommended Tools

Safety Tools	
Special Tools	
Installation Tools	
Phillips Screwdriver	Straight-Slot Screwdriver
Ratchet w/ Extension	10 mm Socket
Diagonal Wire Cutters	Common Pliers
Flashlight	Nylon Trim Tool
Torque Wrench (48 in. lbs.)	
Special Chemicals	
VDC Approved Sealant	VDC Approved Cleaner

Vehicle Service Parts (May be required for reassembly)

Part Number	Qty	Description
00016-00076-01	1	XM Module
00016-00076-02	1	Hardware Bag
00016-00076-03	1	XM Antenna
00016-00076-04	1	Wiring Harness
00016-00076-05	1	XM Tuner Module

General Applicability

--

Legend

	STOP: Damage to the vehicle may occur. Do not proceed until process has been complied with.
	OPERATOR SAFETY: Use caution to avoid risk of injury.
	CRITICAL PROCESS: Proceed with caution to ensure a quality installation. These points will be audited on a completed vehicle installation.
	TOOLS AND EQUIPMENT: This calls out the specific tools and equipment required for this process.
	REVISION MARK: This mark highlights a change in installation with respect to a previous issue.
	SAFETY TORQUE: This mark indicates that torque is related to safety.

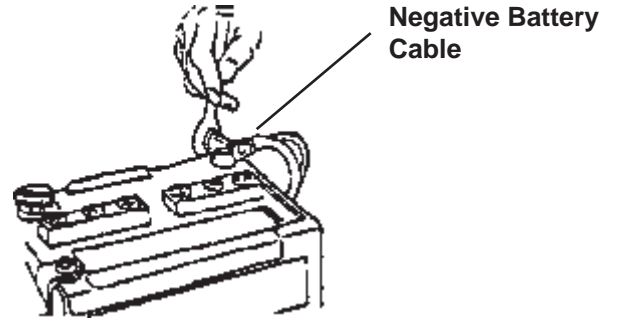
SPECIAL NOTE:

After **TMS** and **Safety** mandated preparatory steps have been taken, the installation sequence is the suggested method for completing the accessory installation. In some instances the suggested sequence is written for one associate to install and in others the sequence is given as part of a team accessory installation. Unless otherwise stated in the document, the associates may perform the installation steps in any order to make the installation as efficient as possible while maintaining consistent quality. When possible, install T-Taps 1" away from connector.

INSTALLATION PREPARATION

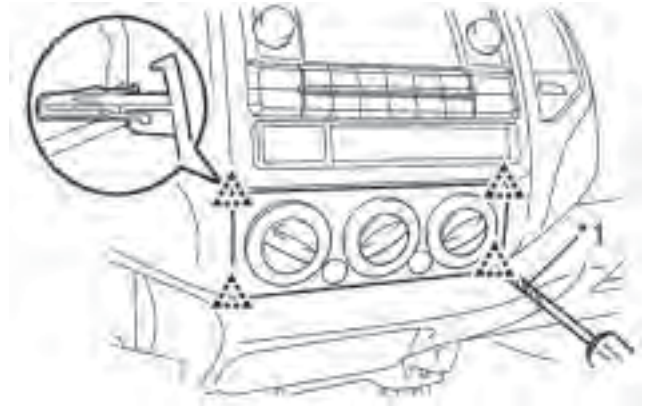
Before starting installation:

1. Familiarize yourself with the installation instructions.
2. Inspect the kit components (Refer to Kit Contents and Hardware Bag Contents).

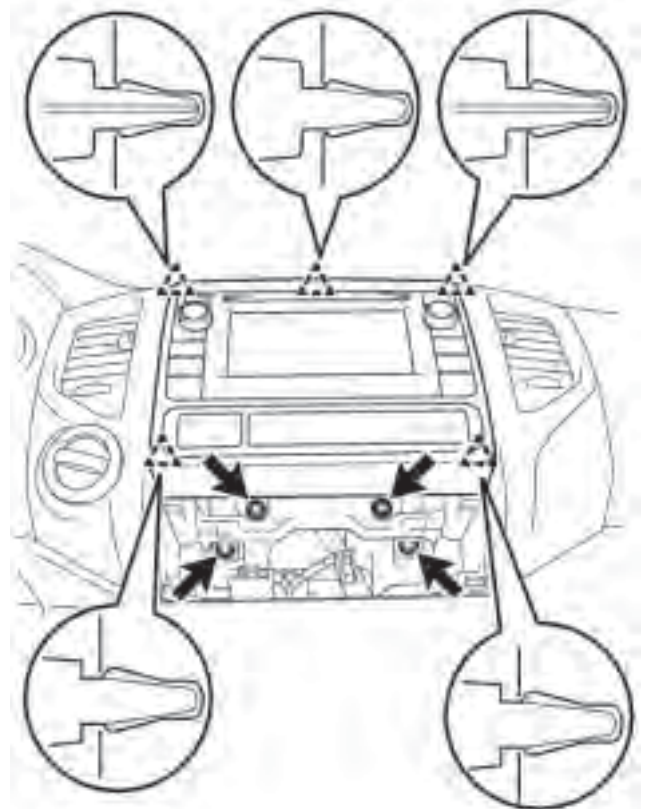


VEHICLE PREPARATION

1. Place protective coverings on vehicle.
2. **“IMPORTANT.....IMPORTANT”**
Disconnect Negative Battery Cable.
3. Remove the air conditioning control assembly by disengaging the (4) retaining clips.



4. Remove the (4) 10 mm bolts securing the factory radio to the dash assembly.
5. Pull the factory radio rearward to disengage (4) retaining clips.
6. Disconnect any connectors attached to the radio and remove the radio from the vehicle.



VEHICLE PREPARATION; continued

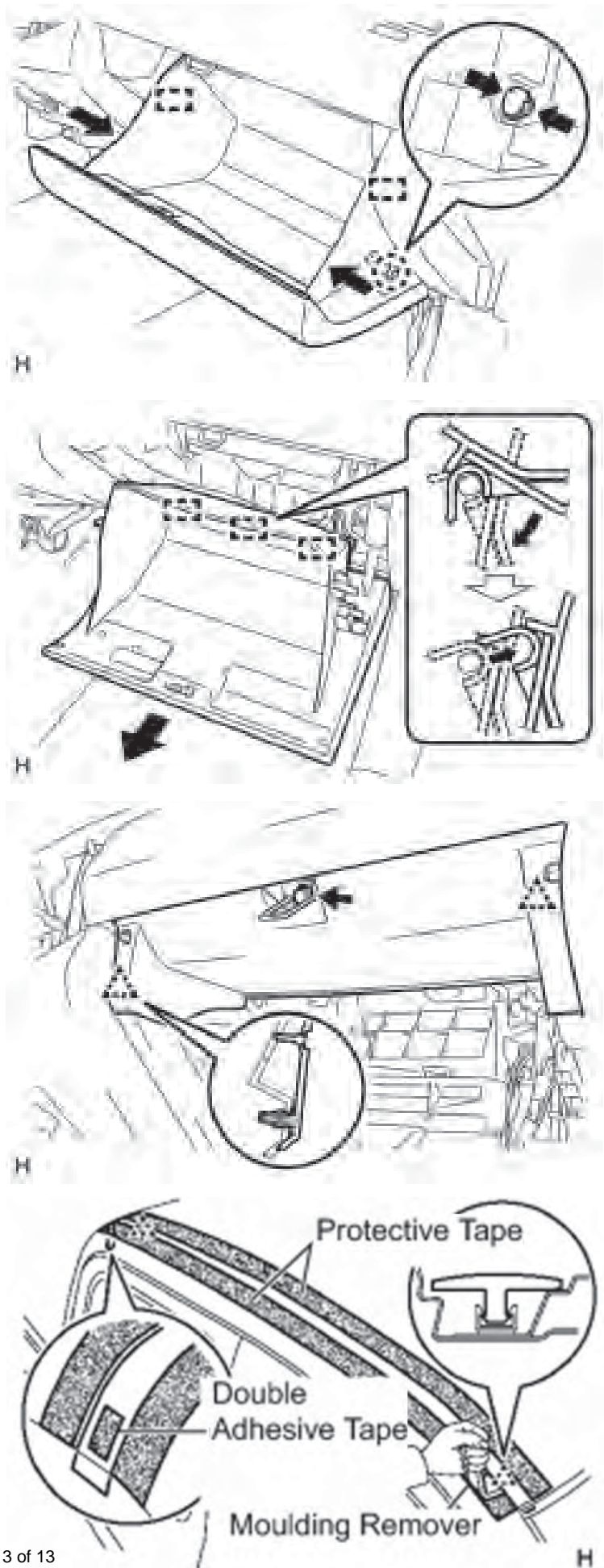
7. Remove the glove compartment door assembly.
 - a. Disengage the claw and separate the glove compartment door stopper from the glove compartment door assembly.
 - b. Slightly deform the upper part of the glove compartment door assembly to release the 2 stoppers and open the glove compartment door assembly until it becomes horizontal.
 - c. Pull the glove compartment door assembly toward the rear of the vehicle to release the 3 hinges and remove from the vehicle.

8. Remove the passenger's side instrument panel lower finish panel sub-assembly by removing the 10mm bolt and disengaging the (2) clips.

9. Apply protective tape on the area near the passenger's drip side finish moulding.

10. Using a heat light, heat the roof drip side finish molding to 40 to 60°C (104 to 140°F).

11. Using a trim tool, remove the passenger's drip side finish moulding.

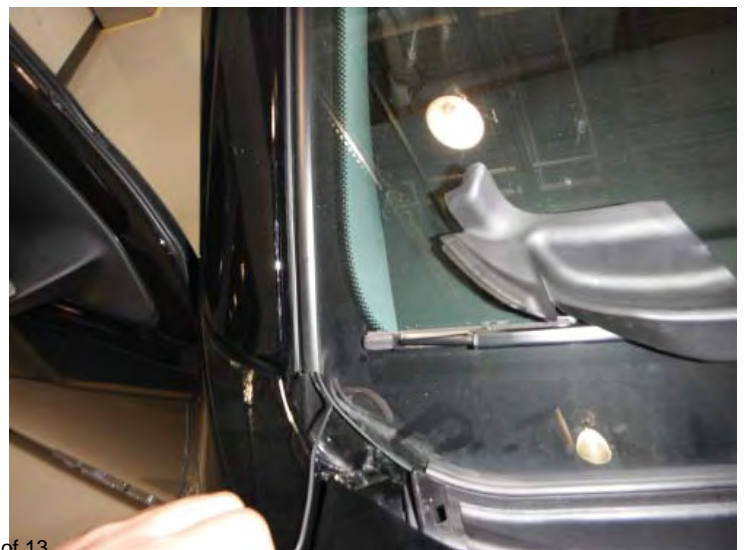


INSTALLATION PROCEDURES

1. Clean antenna base and antenna mounting location with VDC approved cleaner.
2. Attach supplied double sided mounting tape onto the antenna base and mount the XM antenna on the vehicle roof, near the passenger's front windshield area.



3. Route the XM antenna between the outside windshield moulding and the body structure.



INSTALLATION PROCEDURES; continued

4. Route the XM antenna cable along the passenger's side of the windshield cowl. Secure the XM antenna cable to the windshield washer supply line with (1) cable tie.



Cable Tie

5. Route the XM antenna cable down to the dashwall grommet located on the passenger's side of the dashwall.



Cable Ties Factory Grommet

6. Secure the XM antenna cable to the factory harness with (3) cable ties.
7. Remove the factory grommet.



INSTALLATION PROCEDURES; continued

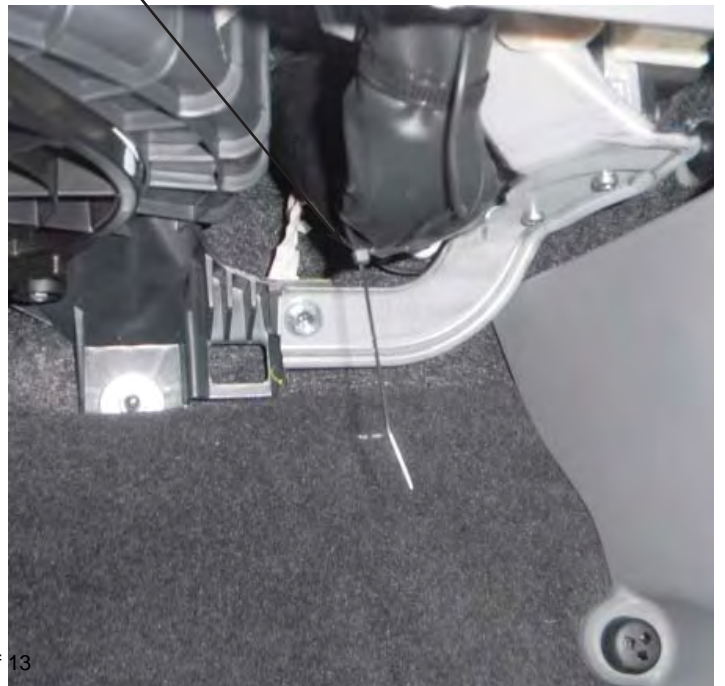
8. Using a knife, cut the grommet so that the XM antenna cable can run through the middle of the grommet.
9. Route the XM antenna cable into the passenger's compartment. Reinstall the factory grommet.



After reinstalling the factory grommet, seal with VDC approved sealant to prevent leaks.



Cable Tie



10. Secure the XM antenna cable to the factory harness with (1) cable tie.

INSTALLATION PROCEDURES; continued

11. Route the XM antenna cable to the area above the glove box assembly. Secure the XM antenna cable to the factory harness with (3) cable ties.



12. Verify the dip switch settings on the XM interface adapter, adjust if necessary.

Dip Switch #	Position	Function
1	On* (Down Position)	<i>Steering wheel controls.</i> On Display (touchscreen) radios, if the dip switch is in the UP position, the steering wheel button will function opposite of what the user wants.
2	Off* (Up Position)	Disables scrolling text. This may be desirable on base radios if the text "flashes", or of the customer finds text scrolling distracting.

* Default Position

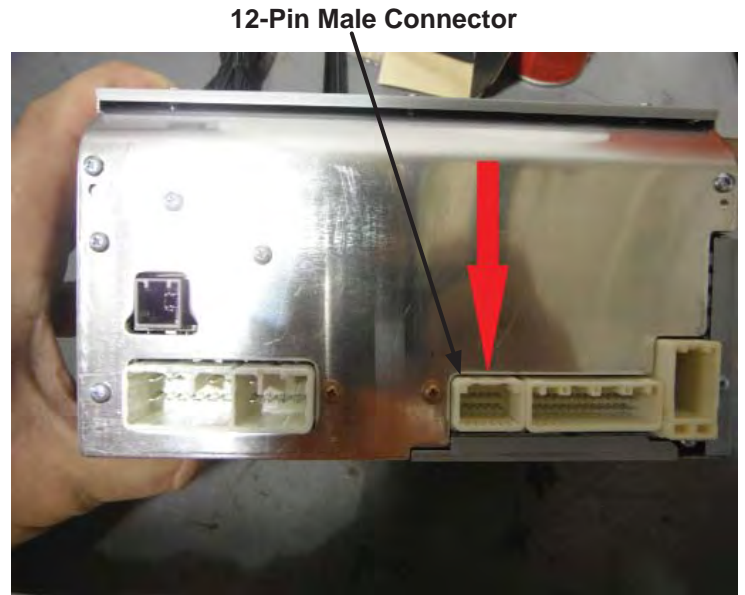


Dip Switch #1 Dip Switch #2

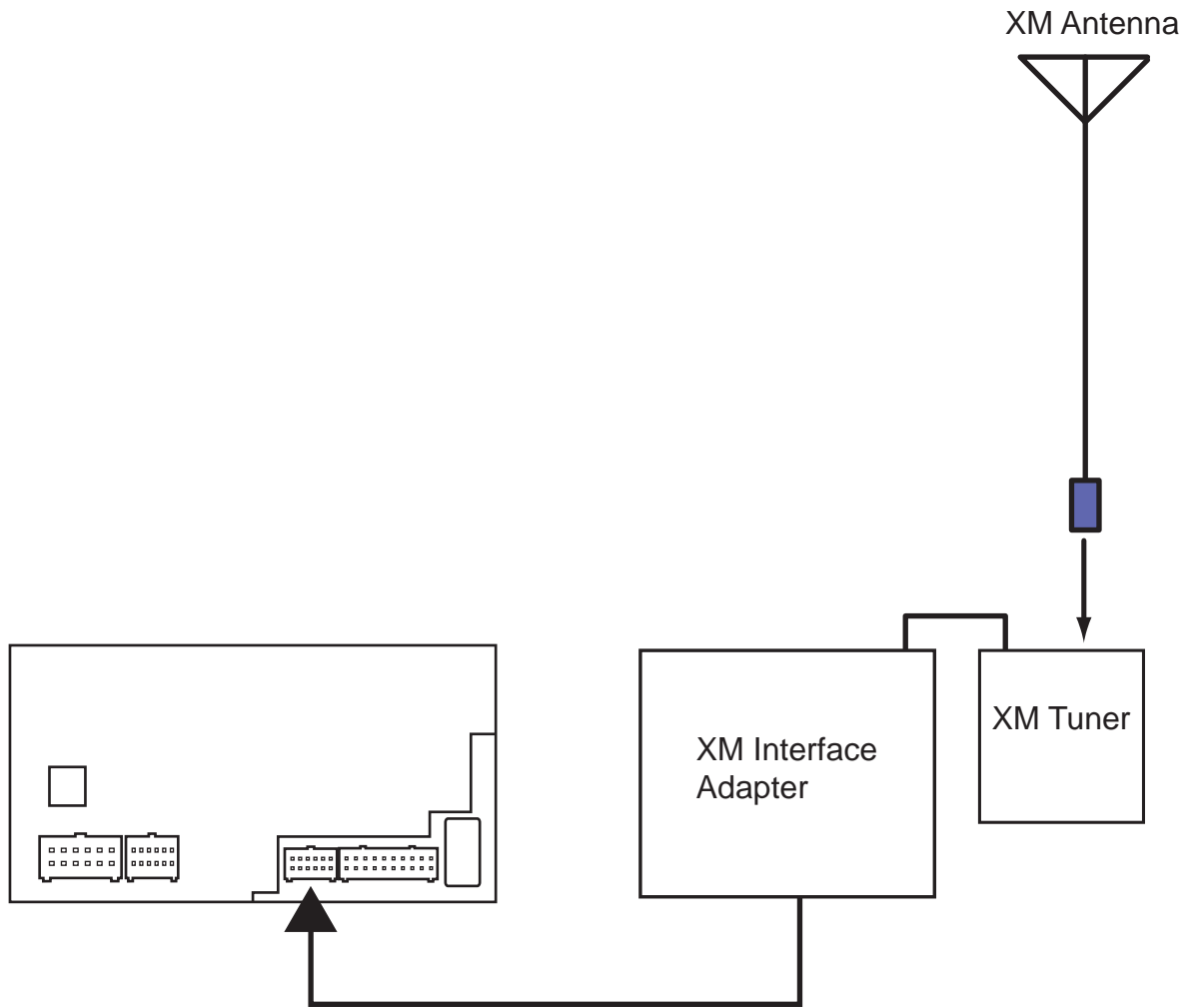
INSTALLATION PROCEDURES; continued

18. Reinstall any harnesses that were removed from the rear of the radio during disassembly.
19. Attach the XM interface adapters 12-pin female connector to the radio's 12-pin male connector, located in the rear of the radio.

Note: Depending on the vehicle model and options, the factory radio may be using the 12-pin plug located on the rear of the radio. In these instances, use the XM interface adapter's "T-Harness", and plug the factory 12-pin female into the XM interface adapter's 12-pin male connector.

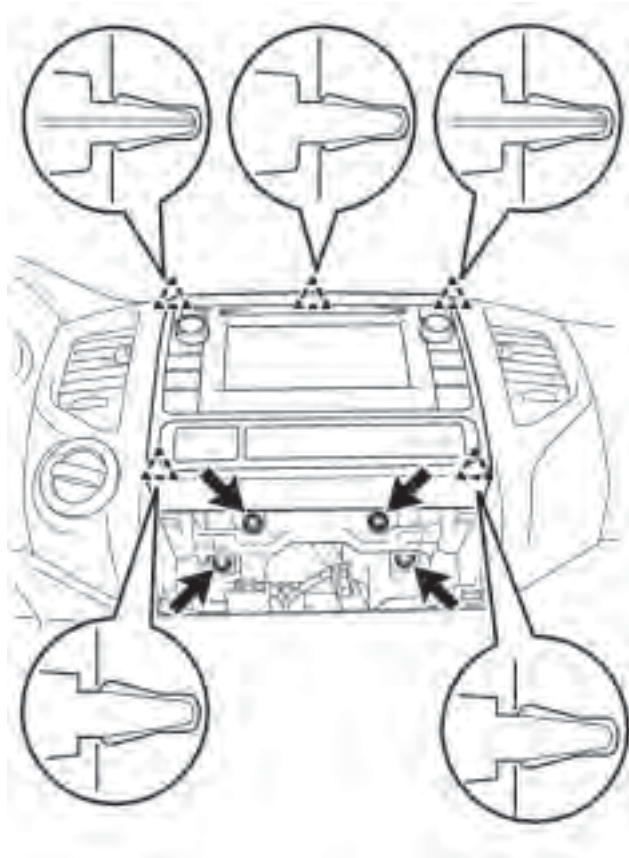


WIRING DIAGRAM



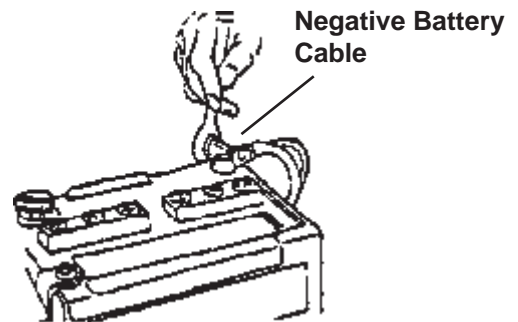
RE-INSTALL THE RADIO

1. Secure the radio to the dash assembly using the (4) 10 mm bolts previously removed.



VEHICLE RE-ASSEMBLY

1. Refer again to the vehicle repair manual and re-assemble all panels that were removed for installation back onto the vehicle.
2. Re-connect the negative battery cable. Torque to 48 in. lbs.



TESTING THE XM RADIO

1. Prior to delivering the vehicle, test all features of the factory system according to the vehicle's owner's manual.

XM RADIO FUNCTION CHECKLIST**THESE FUNCTIONS MUST BE CHECKED TO ENSURE A QUALITY INSTALLATION**

- Power-Up**
- HD radio**
- CD Audio**
- Fade/Balance**
- DVD Movie**
- XM Radio**
- iPod**
- Bluetooth Test**
- Navigation Test**
- AV1**
- AV2 (Media Hub)**
- SD Card (MP3)**
- USB Drive (MP3)**
- Rear Camera (If equipped)**
- SWC (Steering Wheel Control)**
- Parking Lights**
- Rear Monitors (If equipped)**
- Factory Default Test**
- Faceplate Visual Inspection**

VEHICLE FUNCTION CHECKLIST**(These points must be checked to ensure a quality installation)**

- | | | | |
|--------------------------|----------------------------------------------------------------------------------------------------|--------------------------|--------------------------------------------------------------------------------------------------------------------------------------------------------------------------------|
| <input type="checkbox"/> | Headlight
<i>If the warning lights remains on, it may indicate a system malfunction.</i> | <input type="checkbox"/> | Massage Seats (if equipped) |
| <input type="checkbox"/> | High Beams | <input type="checkbox"/> | Power Side Mirrors (if equipped) |
| <input type="checkbox"/> | Turn Signal Lights | <input type="checkbox"/> | Side Mirror Defogger (if equipped) |
| <input type="checkbox"/> | Tail Lights | <input type="checkbox"/> | Front Windshield Defogger (if equipped) |
| <input type="checkbox"/> | Stop Lights | <input type="checkbox"/> | Navigation System (if equipped) |
| <input type="checkbox"/> | Backup Lights | <input type="checkbox"/> | Rear Sunshade (if equipped) |
| <input type="checkbox"/> | Hazard Lights | <input type="checkbox"/> | Cruise Control Light (if equipped) |
| <input type="checkbox"/> | Marker Lights | <input type="checkbox"/> | Steering Wheel Audio Control (if equipped) |
| <input type="checkbox"/> | Dome/Courtesy Lights | <input type="checkbox"/> | HVAC |
| <input type="checkbox"/> | Panel/Switch Illumination | <input type="checkbox"/> | Power Locks (if equipped) |
| <input type="checkbox"/> | Accessory Controls/Illumination
(If equipped) | <input type="checkbox"/> | Power Windows (if equipped) |
| <input type="checkbox"/> | Rear Window Defogger (If equipped) | <input type="checkbox"/> | Gauges |
| <input type="checkbox"/> | Key Sensor Buzzer | <input type="checkbox"/> | Front Wiper/washer |
| <input type="checkbox"/> | Fog Lights (If equipped) | <input type="checkbox"/> | Hood Latch Release |
| <input type="checkbox"/> | Day Time Running Lights
(If equipped) | <input type="checkbox"/> | Passenger Air Bag Switch (if equipped) |
| <input type="checkbox"/> | Trunk/Tailgate/Bed Lights
(If equipped) | <input type="checkbox"/> | Rollover Side Curtain Air Bag Switch (RSCA) |
| <input type="checkbox"/> | Glove Box Light (If equipped) | <input type="checkbox"/> | Horn |
| <input type="checkbox"/> | ABS Light (If equipped) | <input type="checkbox"/> | Seat Belt Warning Light
<i>If the warning lights remains on, it may indicate a system malfunction.</i> |
| <input type="checkbox"/> | Rear Wiper/Washer (If equipped) | <input type="checkbox"/> | Air Bag Warning Light
<i>If the warning lights remains on, it may indicate a system malfunction.</i> |
| <input type="checkbox"/> | Clock (If equipped) | <input type="checkbox"/> | Lamp Failure Sensor
<i>If the warning lights remains on, it may indicate a system malfunction.</i> |
| <input type="checkbox"/> | Accessory Power Socket (If equipped) | <input type="checkbox"/> | Track/Skid Control Light (if equipped)
<i>If the warning lights remains on, it may indicate a system malfunction.</i> |
| <input type="checkbox"/> | Starter | <input type="checkbox"/> | Tire Pressure Monitoring System (TPMS)
<i>Prior to TPMS activation and Pre-Delivery Service (PDS) of the vehicle the TPMS light will blink when IG is turned on.</i> |
| <input type="checkbox"/> | Audio/Video (If equipped) | | |
| <input type="checkbox"/> | Power Rear Door (If equipped) | | |
| <input type="checkbox"/> | Convenience Memory Settings (If equipped) | | |
| <input type="checkbox"/> | Heated Seats (If equipped) | | |