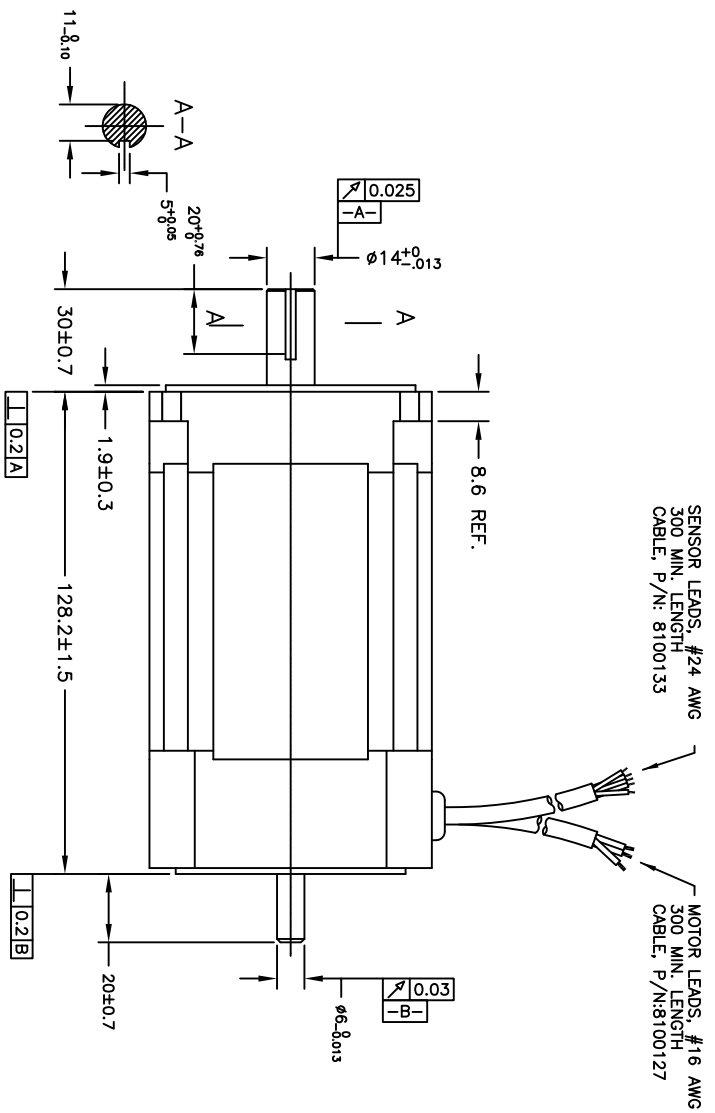
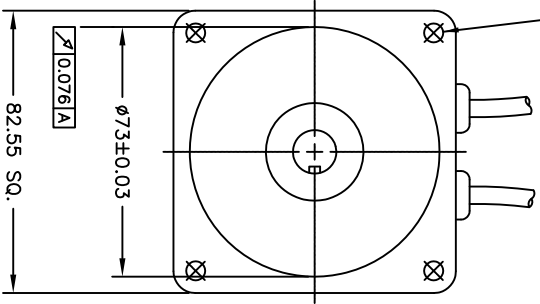


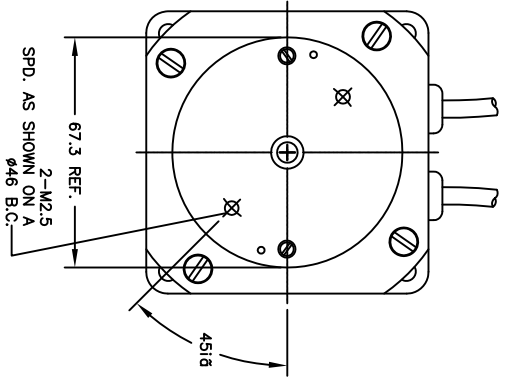
NOTES
1.HI-POT: 1200VAC/1S

Ø5.54 THRU (4)
EQ. SPD. AS SHOWN ON
A Ø98.43 B.C.



SENSOR LEADS, #24 AWG
300 MIN. LENGTH
CABLE, P/N: 8100133

MOTOR LEADS, #16 AWG
300 MIN. LENGTH
CABLE, P/N: 8100127



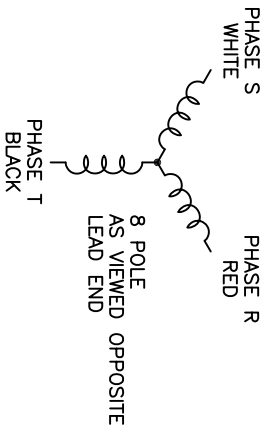
MOTOR PARAMETERS @25°C		
	TOL.	UNITS
MAX. OPERATING SPEED (Sn)	MAX.	R.P.M.
CONTINUOUS TORQUE (Tc)	MAX.	Nm
PEAK TORQUE (Tp)	MAX.	Nm
TORQUE SENSITIVITY (Kt)	±10%	Nm/AMPS
BACK EMF CONSTANT (Ke) (L-L, D.C.)	±10%	V/K R.P.M.
D.C. RESISTANCE (Rt) (L-L)	±15%	OHMS
INDUCTANCE (L) (L-L)		mH
ROTOR INERTIA (Jr)	NOM.	N-cm-SEC ²
FRICITION TORQUE (Tf)	NOM.	Nm
DAMPING TORQUE (Td)	NOM.	Nm/KRPM
WINDING TEMPERATURE	MAX.	°C
WEIGHT	NOM.	Kg

TIMING DIAGRAM

ELECTRICAL DEGREES	60°	120°	180°	240°	300°	360°
HALL A						
HALL B						
HALL C						
PHASE S-1						
PHASE R-5						
PHASE T-1-R						

ROTATION: CLOCKWISE AS VIEWED FROM SHAFT END.

MOTOR WINDING CONFIGURATION



CONNECTION CHART		
COLOR	FUNCTION	
RED	PHASE R	
WHITE	PHASE S	
BLACK	PHASE T	
BROWN	HALL A	
ORANGE	HALL B	
YELLOW	HALL C	
RED	4.5 -24 VDC	
BLACK	GROUND	

NOTE: THIS DRAWING HAS BEEN CREATED BY AUTOCAD. MANUAL REVISIONS ARE NOT ALLOWED.

MATERIAL

TOLERANCE ON
DECIMAL: X±0.5 XX±0.25 XXX±0.13 ANGLE:±1°
UNLESS OTHERWISE SPECIFIED

DRAWN ZQY	CHECKED	APPROVED - DATE	FILENAME	DATE	SCALE
				04/05/08	N/A

BLS DC MOTOR



MB082GA500

SHEET 1/1

THIS DRAWING AND THE INFORMATION DISCLOSED HEREIN ARE PROPRIETARY DATA OF EXMEX ELECTRIC CO. LTD., AND IS TO BE IMMEDIATELY RETURNED UPON REQUEST. REPRODUCTION OF THIS DRAWING OR THE INFORMATION CONTAINED HEREIN IS PROHIBITED UNLESS OTHERWISE SPECIFIED. PROHIBITED WITHOUT THE EXPRESSED WRITTEN APPROVAL OF EXMEX.

REV	DESCRIPTION	DATE	APPROVE
A	RELEASE	04/05/09	XXD
B	CHG LEADWIRE COLOR	04/05/20	XXD
C	CHG RES.	04/09/12	XXD
D	CHG CONNECTION CHART	04/09/24	XXD