

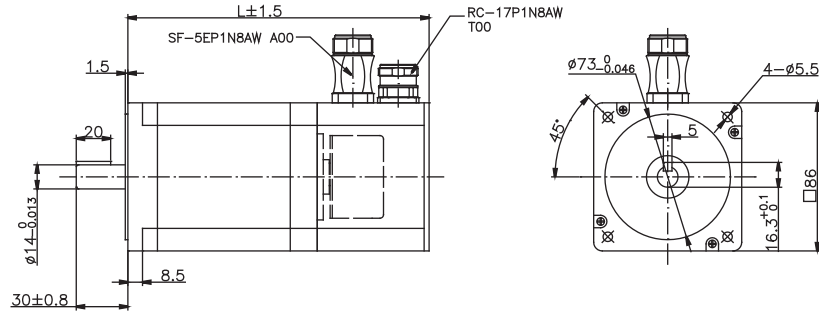
ME086AS BLDC Series Motor



General information

- Class F insulation
 - UL Certified
 - Servo application
 - Multiple Lines of Encoder available
- Power range:200~600w

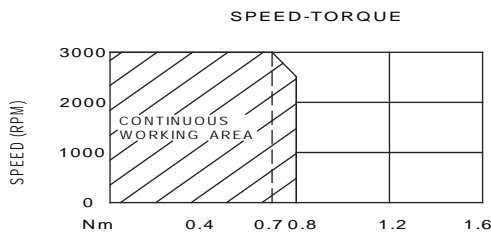
Mechanical



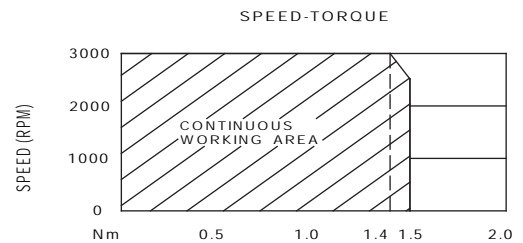
Specifications

Specification	ME086AS104	ME086AS203	ME060AS309
Voltage (VDC)	310	310	230
Resistance (OHMS)	8.3	5	2.5
Inductance (mH)	26	18	8
Nominal Speed (RPM)	3000	3000	3000
Nominal Torque (Nm)	0.7	1.4	2.1
Nominal Current (A)	0.935	1.65	2.66
Peak Torque (Nm)	2.1	4.2	6.3
Peak Current (A)	2.9	5.0	8.0
Ke (V/KRPM)	59.1	114.2	63.1
Weight (Kg)	1.85	2.6	3.95
L (mm)	135	160	190

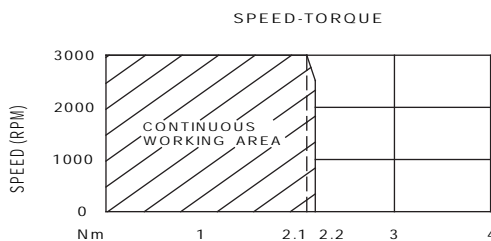
Characteristic diagram



TORQUE (Nm)
ME086AS104



TORQUE (Nm)
ME086AS203



TORQUE (Nm)
ME086AS309