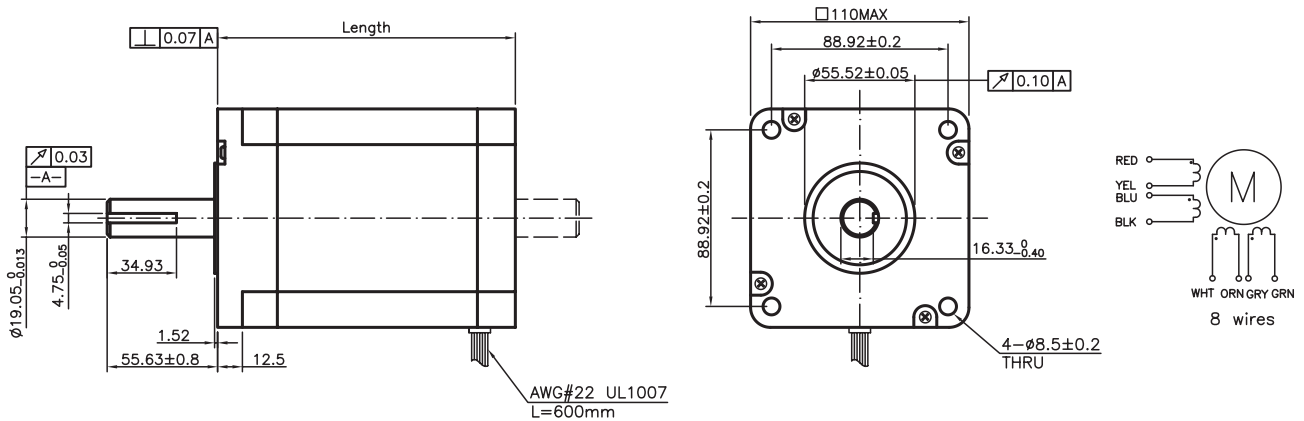


# 110mm, 1.8Degree Enhanced Hybrid Stepper Motor

MP110YG



## Mechanical and Wiring



## Specifications

Part No.	Connection	Phase Current (A)	Phase Resistance (Ohms)	Phase Inductance (mH)	Holding Torque (Nm)	Detent Torque (Nm)	Rotor Inertia (kg.cm <sup>2</sup> )	Length (mm)	Weight (kg)
MP110YG100	Parallel	10.7	0.16	2.8	11.68	0.30	5.5	99	4.96
	Series	5.3	0.63	11.1	11.68				
	Unipolar	7.5	0.31	2.8	8.26				
MP110YG200	Parallel	15.8	0.1	2.1	22.09	0.59	10.9	150	8.34
	Series	7.9	0.41	8.4	22.09				
	Unipolar	11.2	0.21	2.1	15.63				
MP110YG300	Parallel	15.4	0.14	3.2	30.81	0.75	16.2	201	11.64
	Series	7.7	0.55	13	30.81				
	Unipolar	10.9	0.28	3.2	21.81				