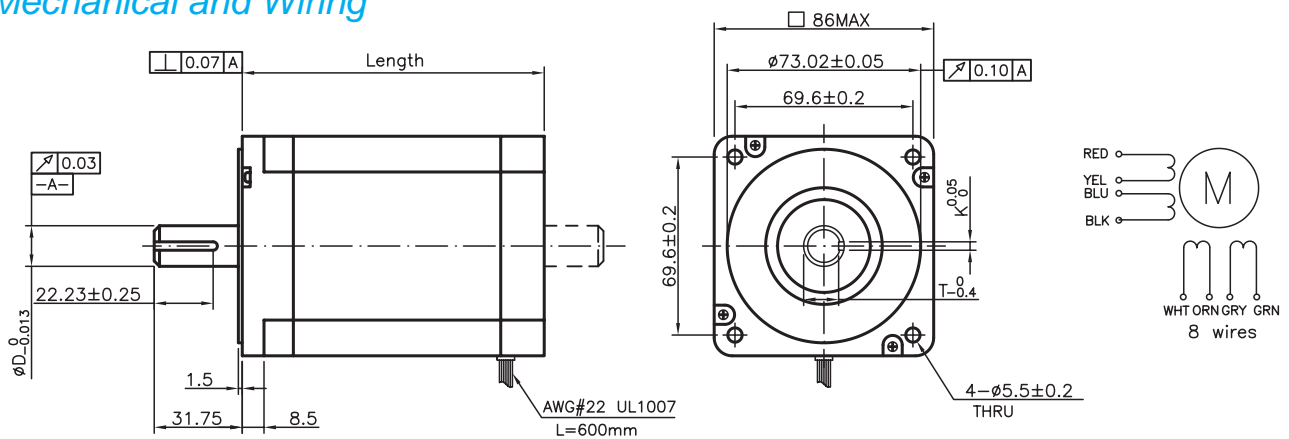


86mm, 1.8Degree Enhanced Hybrid Stepper Motor

MP086YG



Mechanical and Wiring



Part No.	D(mm)	Length(mm)	K(mm)	T(mm)
MP086YG100	12.7	67	3.175	10.92
MP086YG200	12.7	79.5	3.175	10.92
MP086YG300	12.7	118	3.175	10.92
MP086YG400	15.87	156.5	4.763	13.13

Specifications

Part No.	Connection	Phase Current (A)	Phase Resistance (Ohms)	Phase Inductance (mH)	Holding Torque (Nm)	Detent Torque (Nm)	Rotor Inertia (kg.cm ²)	Weight (kg)
MP086YG100	Parallel	6.1	0.25	2.1	2.8	0.20	0.66	1.6
	Series	3.0	1.0	8.4	2.8			
	Unipolar	4.3	0.5	2.1	2.3			
MP086YG200	Parallel	8.6	0.18	1.4	4.59	0.13	1.4	2.27
	Series	4.3	0.72	5.8	4.59			
	Unipolar	6.1	0.36	1.4	3.25			
MP086YG300	Parallel	10	0.18	1.8	8.58	0.25	2.7	3.81
	Series	5	0.7	7	8.58			
	Unipolar	7.1	0.35	1.8	6.07			
MP086YG400	Parallel	9.9	0.22	2.3	12.10	0.38	4.0	5.39
	Series	5	0.87	9	12.10			
	Unipolar	7	0.44	2.3	8.58			