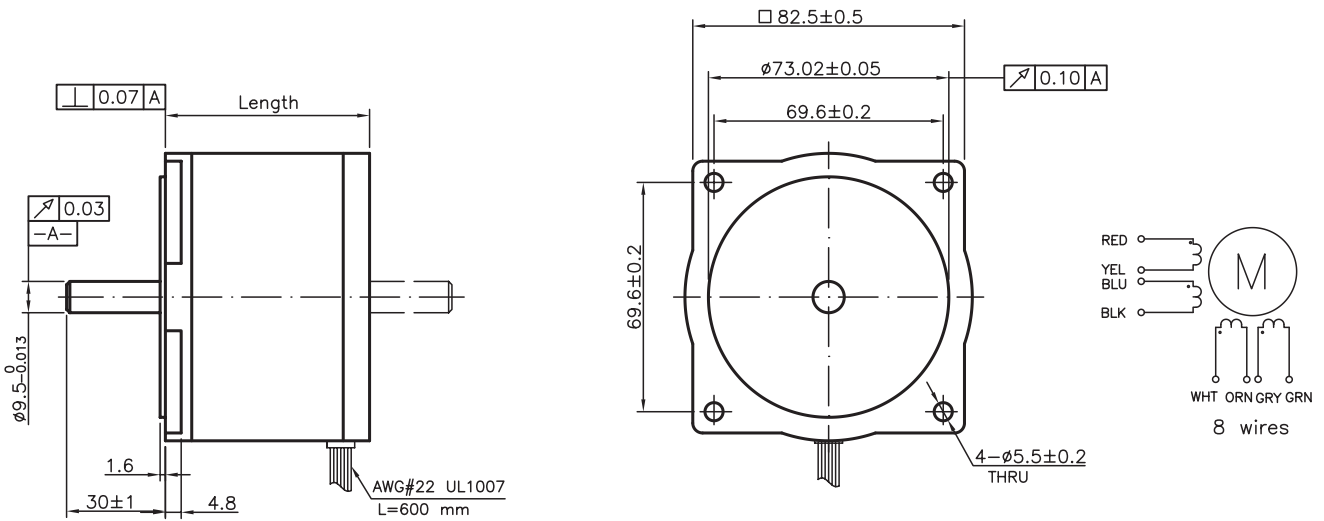


86mm, 1.8Degree Hybrid Stepper Motor

MP086NA



Mechanical and Wiring



Specifications

Part No.	Phase Current (A)	Phase Resistance (Ohms)	Phase Inductance (mH)	Holding Torque (Ncm)	Detent Torque (Ncm)	No. of Wires	Rotor Inertia (kg.cm ²)	Length (mm)	Weight (kg)
MP086NA101	1.7	1.7	7.3	137.2	7.84	8	0.64	62	1.6
MP086NA102	1.25	4.0	16						
MP086NA103	3.6	0.45	1.7						
MP086NA104	4.5	0.31	1.1						
MP086NA201	4.0	0.75	3.8	274.4	14.7		1.3	91	2.6
MP086NA202	4.6	0.55	2.5						
MP086NA203	2.5	1.7	7.8						
MP086NA204	2.0	2.7	11.0						
MP086NA301	7.0	0.29	2.0	392	24.5	1.9	129	3.6	
MP086NA302	4.0	1.0	5.0						