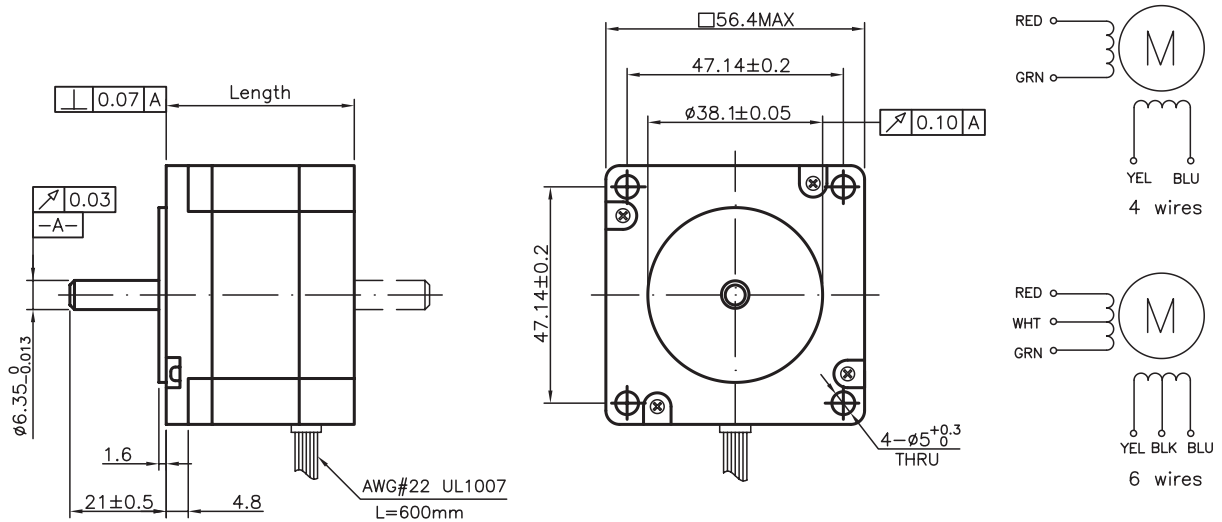


57mm, 0.9Degree Enhanced Hybrid Stepper Motor

MP057SB



Mechanical and Wiring



Specifications

Part No.	Phase Current (A)	Phase Resistance (Ohms)	Phase Inductance (mH)	Holding Torque (Ncm)	Detent Torque (Ncm)	No. of Wires	Rotor Inertia (g.cm ²)	Length (mm)	Weight (g)
MP057SB101	1.0	5.7	7.0	19.6	2.16	6	135	41	420
MP057SB102	2.0	1.4	2.0						
MP057SB103	3.0	0.73	0.86						
MP057SB104	2.8	0.8	1.9						
MP057SB201	1.0	7.4	17	78.4	3.22	6	260	56	600
MP057SB202	2.0	1.8	5.2						
MP057SB203	3.0	0.75	1.1						
MP057SB204	2.8	0.9	3.3						
MP057SB301	1.0	8.6	14	127.4	6.66	6	460	78	1000
MP057SB302	2.0	2.3	6.7						
MP057SB303	2.8	1.13	6.1						