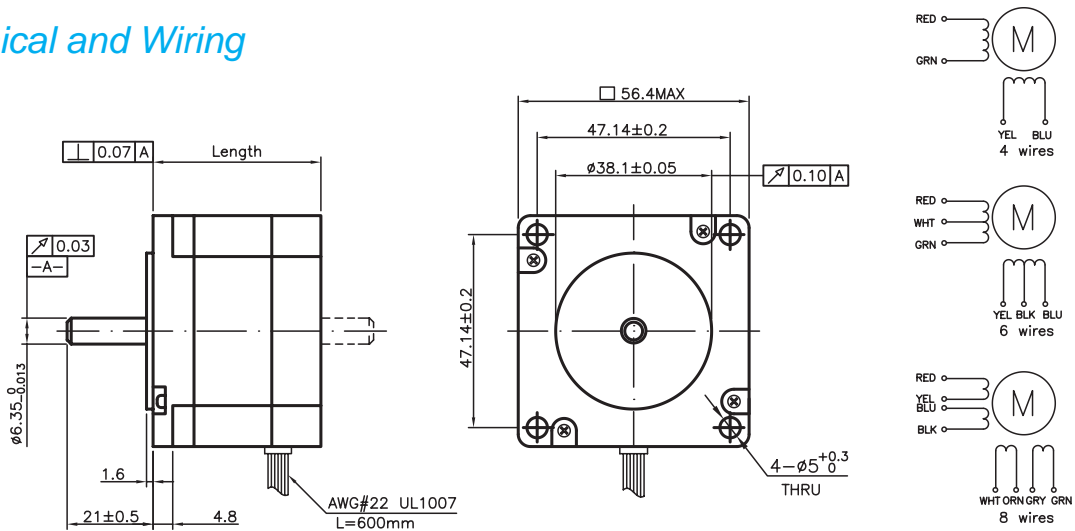


57mm, 1.8Degree Enhanced Hybrid Stepper Motor

MP057NB



Mechanical and Wiring



Specifications

Part No.	Phase Current (A)	Phase Resistance (Ohms)	Phase Inductance (mH)	Holding Torque (Ncm)	Detent Torque (Ncm)	No. of Wires	Rotor Inertia (g.cm ²)	Length (mm)	Weight (g)
MP057NB001	0.6	12	23	39.2	2.45	4	135	41	420
MP057NB002	1.0	4.9	6.0	34.3		8			
MP057NB003	1.0	5.7	5.7	39.2		6			
MP057NB004	1.0	5.2	8.7	39.2		4			
MP057NB201	1.0	6.6	9.0	70.6	2.74	6	220	50	550
MP057NB202	3.0	0.74	1.2	58.8					
MP057NB203	0.38	32	38	83.3					
MP057NB204	1.0	5.5	16.5	83.3	4	4	4	4	4
MP057NB301	1.0	6.2	10.0	88.2	3.92	6	260	56	600
MP057NB303	2.0	1.8	2.5	90.2					
MP057NB305	1.8	2.6	4.2	90.2					
MP057NB401	3.0	1.1	3.8	137.2	6.86	4	460	78	1000
MP057NB404	4.0	1.0	2.3	137.2		6			
MP057NB501	4.2	1.0	2.3	215.6	8.33	8	620	115	1500