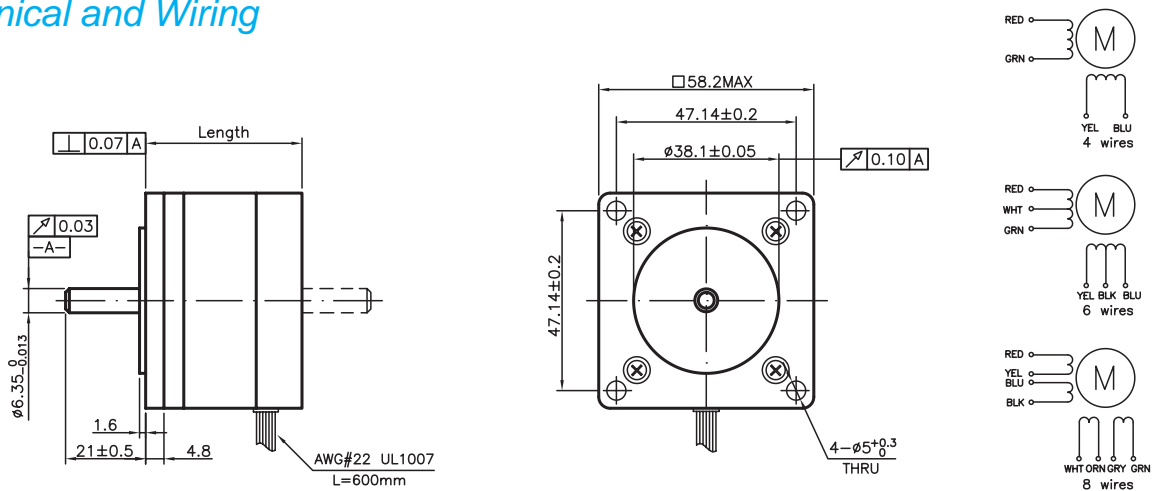


57mm, 1.8Degree Hybrid Stepper Motor

MP057NA



Mechanical and Wiring



Specifications

Part No.	Phase Current (A)	Phase Resistance (Ohms)	Phase Inductance (mH)	Holding Torque (Ncm)	Detent Torque (Ncm)	No. of Wires	Rotor Inertia (g.cm ²)	Length (mm)	Weight (g)
MP057NA107	0.38	32	30	29.4	2.94	6	60	41	360
MP057NA111	0.5	20	18.8	38.2		4			
MP057NA161	0.5	12	34	33.3		4			
MP057NA208	1.3	3.1	4.4	49.0	3.92	6	120	51	520
MP057NA227	1.4	2.5	6.8			6			
MP057NA402	1.5	2.3	3.1			6			
MP057NA404	1.2	2.5	8	58.8	4.90	4	145	57	600
MP057NA409	2.4	1.0	1.7			6			
MP057NA501	1.6	2.6	4.7			6			
MP057NA503	4.7	0.33	0.5	87.0	8.50	8	200	66	700
MP057NA504	2.5	1.0	4.0			4			
MP057NA601	2	1.68	3.5			4			
MP057NA603	1.5	3.6	6.2	88.2	6.90	6	230	76	750
MP057NA602	5	0.9	2.8			4			
MP057NA604	2.9	1.2	2.4			4			
MP057NA605	4.6	0.5	0.9	111	10.0	8	330	102	1200