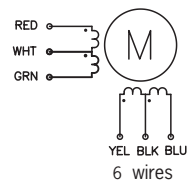
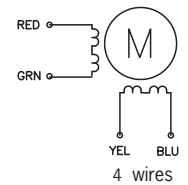
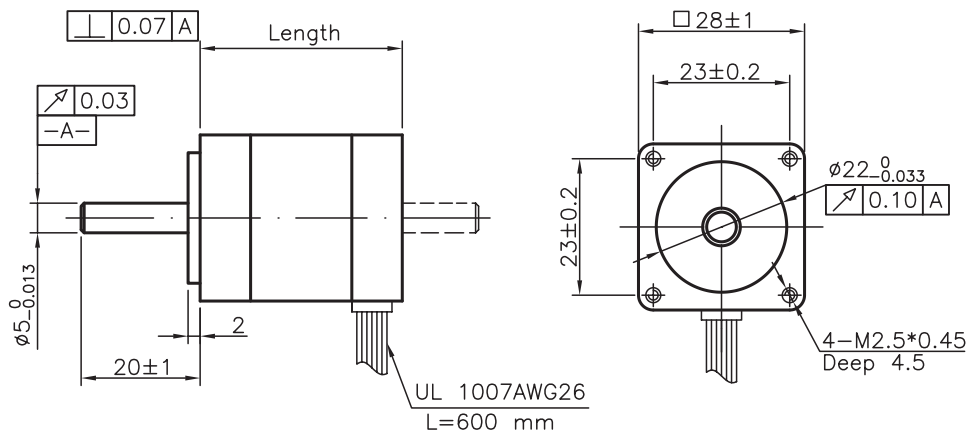


# 28mm, 1.8Degree Enhanced Hybrid Stepper Motor

MP028NB



## Mechanical and Wiring



## Specifications

Part No.	Phase Current (A)	Phase Resistance (Ohms)	Phase Inductance (mH)	Holding Torque (Ncm)	No. of Wires	Rotor Inertia (g.cm <sup>2</sup> )	Length (mm)	Weight (g)
MP028NB101	0.67	5.6	4.2	6	4	9.5	31.5	100
MP028NB102	0.67	5.6	4.2	6	6			
MP028NB103	1.30	1.4	1.1	6.5	4			
MP028NB201	0.67	6.8	4.9	9.5	4	12	44.5	180
MP028NB202	1.00	3.4	1.2	7.5	6			
MP028NB301	0.67	9.2	5.7	12	4	18	50.5	210
MP028NB302	0.96	4.6	1.8	9	6			
MP028NB303	1.00	4.3	2.0	9.5	6			