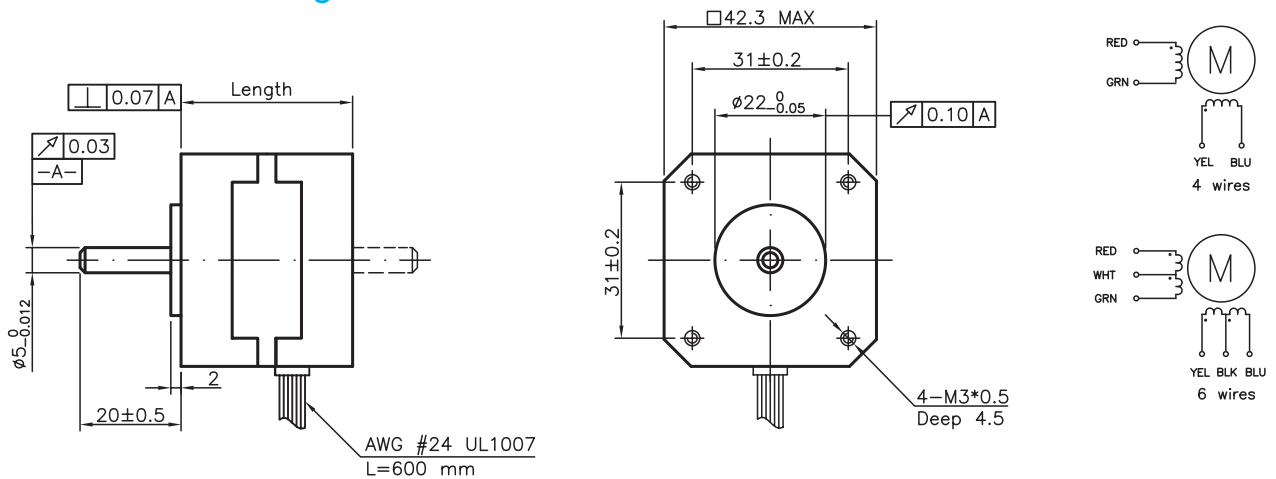


# 42mm, 1.8Degree Enhanced Hybrid Stepper Motor

MP042NB



## Mechanical and Wiring



## Specifications

Part No.	Phase Current (A)	Phase Resistance (Ohms)	Phase Inductance (mH)	Holding Torque (Ncm)	Detent Torque (Ncm)	No. of Wires	Rotor Inertia (g.cm <sup>2</sup> )	Length (mm)	Weight (g)
MP042NB111	0.6	12	15	25.5	1.96	4	34	34	200
MP042NB123	0.4	30	40	24.5					
MP042NB136	0.28	44	38	16.7					
MP042NB140	1	3.6	3.0	19.6	2.16	6	54	40	240
MP042NB302	1.2	3	3	26.5					
MP042NB307	0.4	30	26	25.5					
MP042NB312	0.8	10	20	31.4	2.74	4	68	48	340
MP042NB322	0.4	30	65	37.2					
MP042NB501	1.0	4.6	4	33.3	2.74	6	68	48	340
MP042NB502	0.4	30	28	37.2					