



# Site Ready Form

Name

Telephone

Site Install Address:

Mobile

Email

Postcode:

Preferred Install Date

## Important Notice

### A gate opener cannot overcome a poorly designed gate

As the gate is a major component of the system, great care and concern must be given to the gate design prior to installation. If your gate is badly designed, has rusty hinges or swings unevenly your gate opener simply wont work correctly and can cause inconvenience and damage to equipment. Please give careful consideration to the following questions to avoid any future issues and make you installation as straight forward as possible.

## ABOUT THE INSTALLATION

What is the gate made of?

Wood  Metal

What are the gate posts made from?

Wood  Metal  Concrete

What type of gate post do you have?

Round  Square

Which direction will the gate swing open?

Push  Pull

See diagram on following page

Approx. how many cycles a day will the Gate Opener operate?

One cycle is a complete opening and complete close of the gate.

\_\_\_\_\_

What type of power will you be using?

Solar  Mains AC

Do you have a single or double gate assembly?

Single  Double

All double gate systems and photo eyes require a trench to be dug across the road for the cable to be laid.

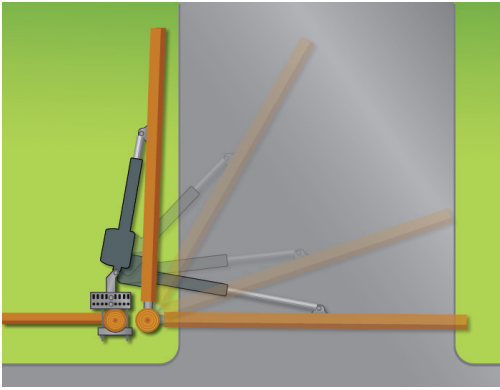
Who will prepare the trench?

You (customer)  Gatecare

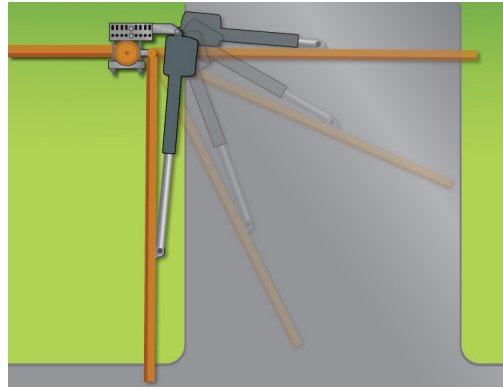
What material is the road made from?

Tarmac  Concrete  Brick

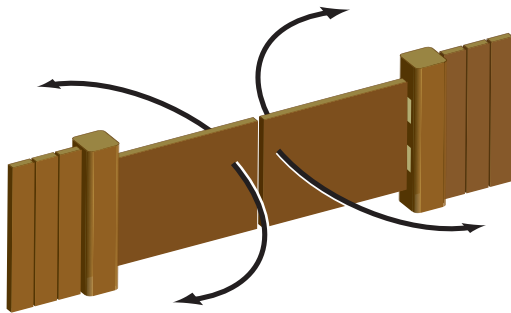
### Pull To Open



### Push To Open



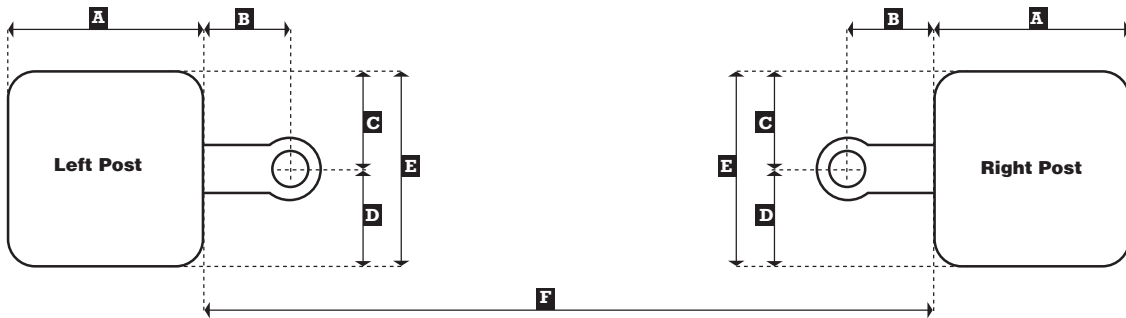
### HINGES ON THE INSIDE



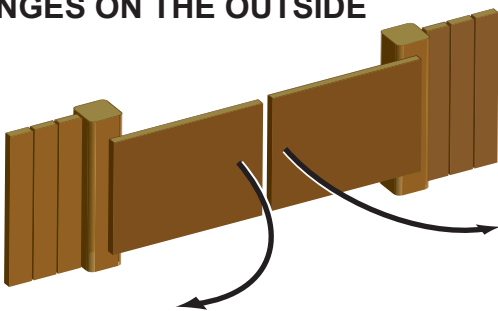
#### Left Post

#### Right Post

<b>A</b> .....	mm	.....	mm
<b>B</b> .....	mm	.....	mm
<b>C</b> .....	mm	.....	mm
<b>D</b> .....	mm	.....	mm
<b>E</b> .....	mm	.....	mm
<b>F</b> .....	mm	.....	mm



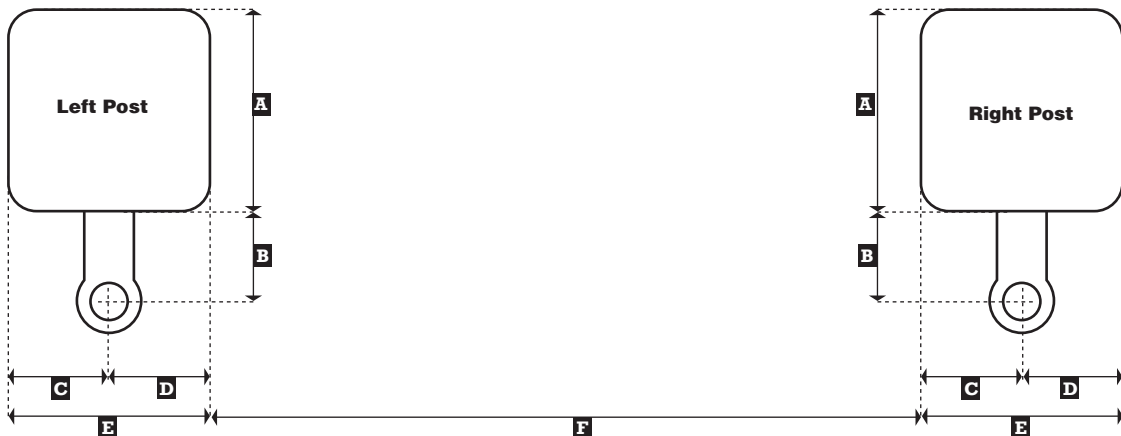
### HINGES ON THE OUTSIDE



#### Left PostR

#### ight Post

<b>A</b> .....	mm	.....	mm
<b>B</b> .....	mm	.....	mm
<b>C</b> .....	mm	.....	mm
<b>D</b> .....	mm	.....	mm
<b>E</b> .....	mm	.....	mm
<b>F</b> .....	mm	.....	mm



# CHECKLIST

Before installing please ensure the following are correct;

## YOUR GATE

**My gate swings smoothly without the need for manual interference.**

Swing gates should swing level and plumb to prevent the Gate-Opener from having to lift the gate open or closed. Swing gates should not require a support wheel. Wheels create drag, which will cause opener problems. A wheel is generally a sign of a weak hinge system or gate frame.

YES

**My gate is level & true and neither post or gate wobbles or moves.**

We recommend bearing type hinges to reduce friction drag.

YES

**My gate frame is of substantial strength without excessive weight.**

Will the frame withstand normal wind load conditions without sway or vibration? Will the gate close correctly without being hand-guided or lifted to close?

YES

**My gate hinges are suited for an automatic gate opener.**

Hinges MUST be rust free and and move with minimum resistance.

YES

**Any brace required to attach the linear actuator to the gate is in place.**

Or does a suitable cross member exist in the gate design.

YES

## POWER

*If you are charging by solar power*

**There is a suitable place for the solar panel to be fitted.**

The solar panel must face in a southerly position in unobstructed sunlight

YES

**The solar panel will be located within 5m of the Operator Unit?**

We supply a 5m cable with every solar panel. If the panel is to be located further than this, an extension cable must be purchased prior to installation.

YES

*If you are charging by AC Mains power*

**The Operator Unit will be positioned within 2.5m of a weather proof socket.**

We cannot undertake an electrical alterations. If power is an issue we recommend the use of solar power.

YES

## INSTALLATION SITE

**If you are preparing cable trenches they will be ready on our arrival.**

Trenches are required for double gates and photos eyes

YES

**There is a suitable mounting location for the Operator Box.**

This needs to be with 2m of the gate and bear the weight of the box and battery (approx 15kg)

YES

**All mounted accessories (push pads etc) have a suitable mounting location.**

Please consider practicality, safety and usability when picking a location for your accessories.

YES

If you have any questions or need advice on any of the above please feel free to contacts us




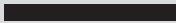




sales@gatecare.co.uk



01536 266211

# INSTALLATION LAYOUT

Please complete a quick drawing of your intended installation. This will give us a chance to spot any unforeseen complications and stop any hiccups.

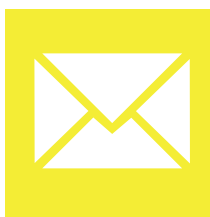
<p><b>Drawing Guide</b></p> <p>Gateposts </p> <p>Gate </p> <p>Operator Unit </p> <p>Fence </p> <p>Wall </p> <p>Accessory </p>	<p><b>OVERHEAD VIEW</b></p> <p>Please clearly mark roads, driveways and any obstructions such as walls, trees or curbs</p>
---	--

**Thank you for taking the time to supply us accurate information.**

**Signature**

**Date**

Once your form is complete please return it to us



**POST TO**

Gatecare, Unit N, Tyson Courtyard.  
Weldon South Industrial Estate  
Corby, Northamptonshire. NN18 8AZ



**FAX TO**

+44 (0) 1536 261491



**EMAIL TO**

[sales@gatecare.co.uk](mailto:sales@gatecare.co.uk)