



We Manufacture
You Score

▲! WARNING

1. This goal is intended to be used outdoors only.
2. The goal is not to be stored or used on a sloped or hill area.
3. The goal shall be secured against tilting or overturning at all times.
4. Check to insure that all fasteners are fully tightened before using this product; Check fasteners periodically over time.
5. Do not climb on the net or framework.
6. **ALWAYS anchor goal. If provided anchoring system is not used, goals require 220 lbs of counterweight to be considered safely anchored.**
7. Goal can fall over causing serious injury or death.
8. Check for damaged parts or hardware before each use; replace broken or missing hardware, fasteners, or other parts immediately.
9. Do not remove warning labels under any circumstance; Warning labels should always be clearly visible, placed under crossbar and on the sides of the uprights at eye level.
10. Goals should be disassembled with nets removed for seasonal storage.
11. Always exercise extreme caution when moving soccer goals and allow adequate manpower to move goals of varied sizes and weights. Movable soccer goals should only be moved by authorized and trained personnel.
12. Store movable soccer goals in a place where children cannot have access to them. If this is not possible, anchor/chain goal to a stable, static structure such as a fence or concrete wall.
13. **Always instruct players, managers, coaches, trainers, teachers, maintenance and other personnel who might come into contact with goal on the safe handling of and potential dangers associated with movable soccer goals.**

CastLite Competition Movable Soccer Goal

Model: SGM-4x6R

General Notes:

1. It will take two adults approximately 20 minutes to assemble this goal.
2. Tools Required:
 - a. Hex Key (Allen Wrench) – 5/16” (included)
 - b. 9/16” Wrench or Adjustable Wrench

Assembly Instructions:

3. Remove all hardware from packaging and inspect to make sure it matches below list and there is no damage.

Item	Qty. Per Goal	Total
Crossbar Tube (with PEVO Label)	1	
Side Assembly (with Installed Hardware)	2	
Ground Bar	1	
Net	1	
Net Ties	12	
StayNet Fasteners	15	
Auger Stake and Chain (9 links)	2 sets	

4. Lay Crossbar on flat surface with PEVO label facing upward and place Upright/Backstay Assemblies near each end of Crossbar. Remove Bolts and Washers from Upright Stubs and place nearby.
5. Raise one Upright/Backstay Assembly into vertical position and slide Upright Stub into end of Crossbar until holes are aligned.
6. Install Bolt through washer and into threaded hole in Upright Stub. Use **finger pressure** to turn bolt to insure proper threading occurs. (See Figure 1)
 - a. **NOTE:** Upright may have to be raised or lowered and moved in or out to align holes in crossbar with holes in Upright Stub (casting).

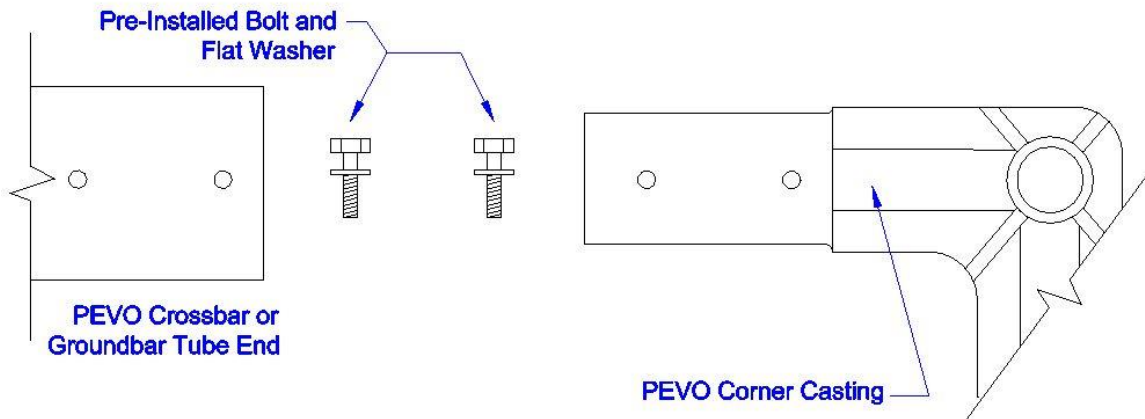


Figure 1. Crossbar with Corner Casting and Hardware.

7. Tighten bolts with Wrench until snug with Crossbar Tube. **DO NOT OVER TIGHTEN! DAMAGE TO GOAL MAY OCCUR.**
8. Repeat steps 5-7 to secure opposite Upright/Backstay Assembly to opposite end of Crossbar. (See Figure 1)
9. Carefully raise Goal Assembly into position lifting at the center of the Crossbar.
10. Place ends of Ground Bar onto castings in back of Upright/Backstay Assemblies. Align holes in groundbar tube with holes in casting and tighten set screws with Hex Key until snug. (See Figure 2)

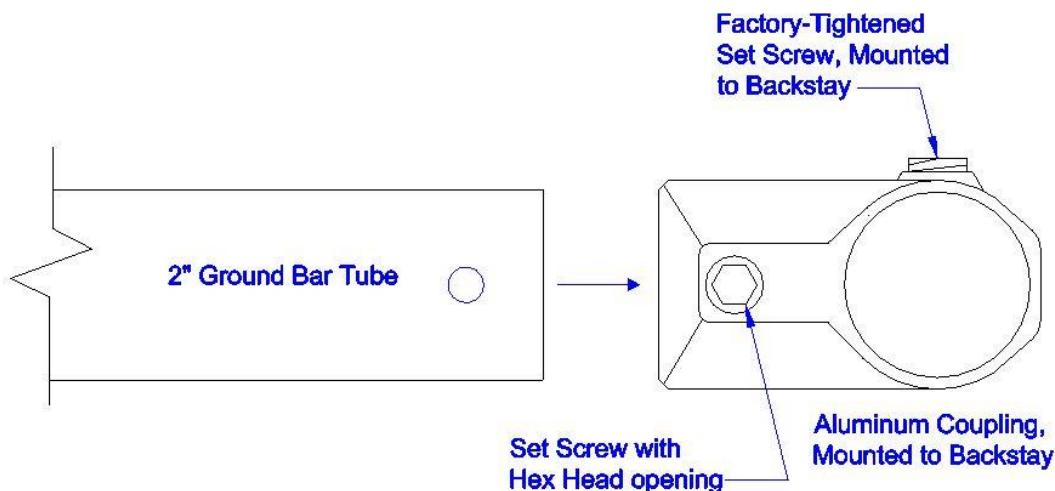


Figure 2. Ground Bar tube with Set Screw Coupling.

11. Position Net on top of Goal Assembly insuring top of net is aligned with crossbar and net is resting on top of Backstays.
 - a. **NOTE:** Label indicates top corner of net.
12. Slide Net perimeter rope into Net Fastener and push Net Fastener into frame hole. Continue until Crossbar and Uprights are completely attached to Net with Stay-Net Fastener. (See Figure 4)

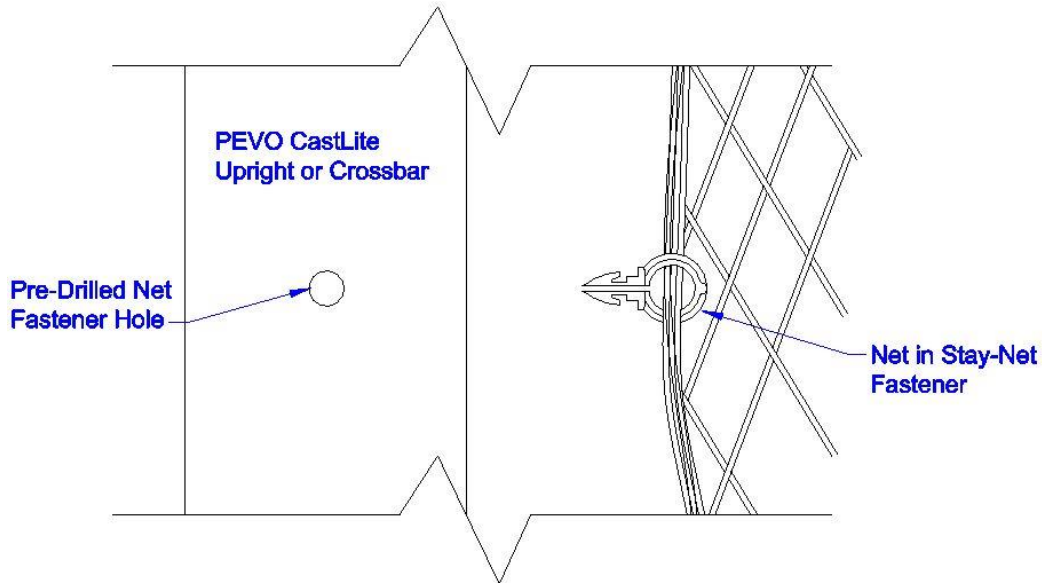


Figure 4. Stay-Net Fastener and Perimeter Rope.

13. Secure base of Net to goal frame using Net Ties.
14. Ensure net is completely attached to Goal Assembly. (See Figure 6)
15. Ensure Bolts, Nuts and Set Screws are all still properly tightened. (See Figure 6)
DO NOT OVER TIGHTEN!
16. Install Auger and Chain over Ground Bar tube near each end and screw into ground. (See Figure 5)

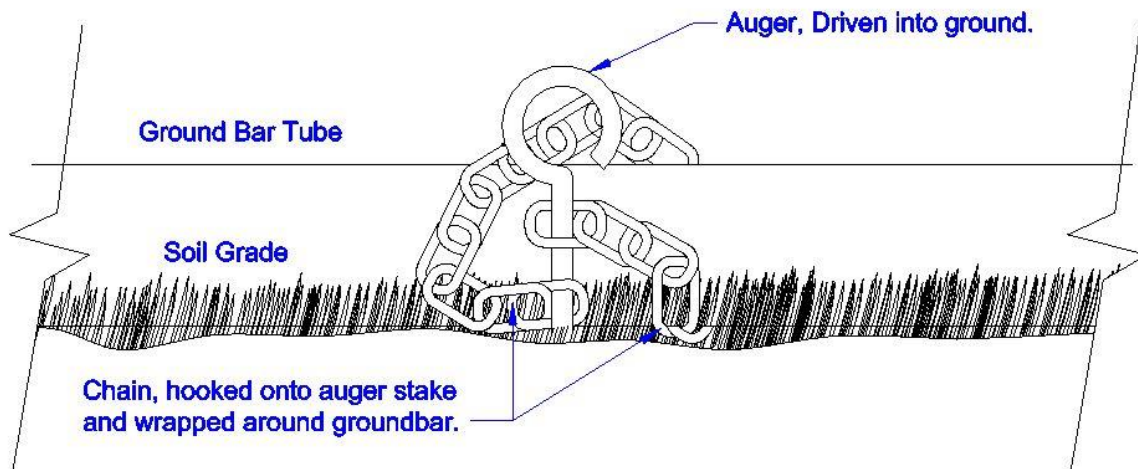


Figure 5. Auger and Chain installation.

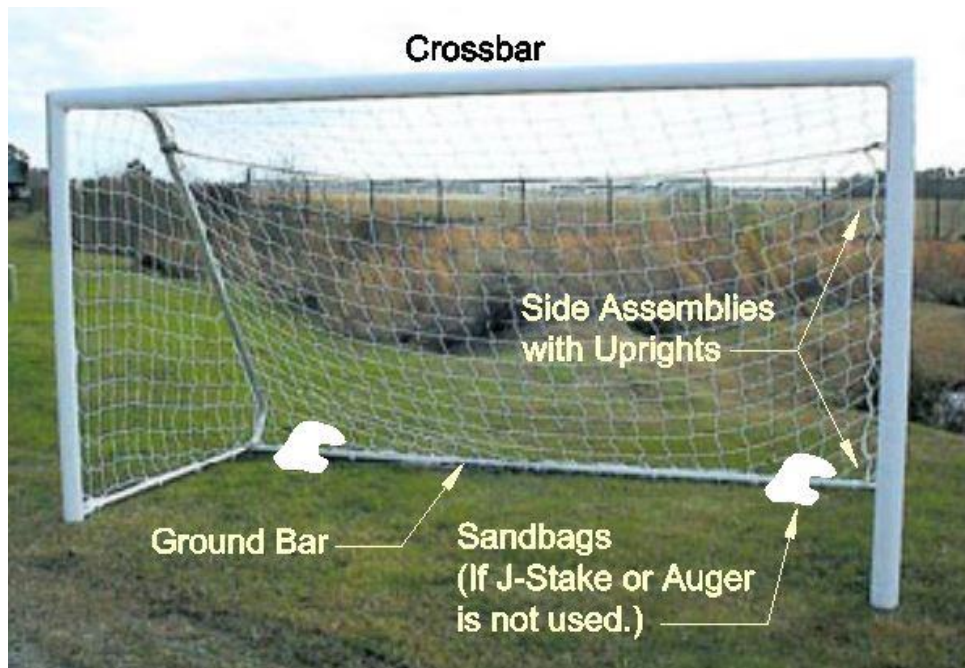


Figure 6. Assembled Competition series goal.

NOTE: If J-Stakes or included Auger and Chain is not used, a **counterweight of 220 lbs must be used to secure the goal.**