



**We Manufacture  
You Score**

## **▲! WARNING**

1. This goal is intended to be used outdoors only.
2. The goal is not to be stored or used on a sloped or hill area.
3. The goal shall be secured against tilting or overturning at all times.
4. Check to ensure that all fasteners are fully tightened before using this product; Check fasteners periodically over time.
5. Do not climb on the net or framework.
6. **ALWAYS anchor goal. If provided anchoring system is not used, Club Series goals require 220 lbs of counterweight to be considered safely anchored.**
7. Goal can fall over causing serious injury or death.
8. Check for damaged parts or hardware before each use; replace broken or missing hardware, fasteners, or other parts immediately.
9. Do not remove warning labels under any circumstance; Warning labels should always be clearly visible, placed under crossbar and on the sides of the uprights at eye level.
10. Goals should be disassembled with nets removed for seasonal storage.
11. Always exercise extreme caution when moving soccer goals and allow adequate manpower to move goals of varied sizes and weights. Movable soccer goals should only be moved by authorized and trained personnel.
12. Anchor or chain one goal to another, to itself in a folded down position, or to nearby fence posts, dugouts, or any other similar sturdy fixture when not in use. If this is not practical, store movable soccer goals in a place where children cannot have access to them.
13. **Always instruct players, managers, coaches, trainers, teachers, maintenance and other personnel who might come into contact with goal on the safe handling of and potential dangers associated with movable soccer goals.**

# CastLite Club Movable Soccer Goals

## Models: SGM-4x6T, SGM-4x6TW, SGM-4x9T, SGM-4x9TW, SGM-6x12T, SGM-6x12TW, SGM-6x18T, SGM-6x18TW, SGM-7x21T, SGM-7x21TW, SGM-8x24T, SGM-8x24TW

**General Notes:**

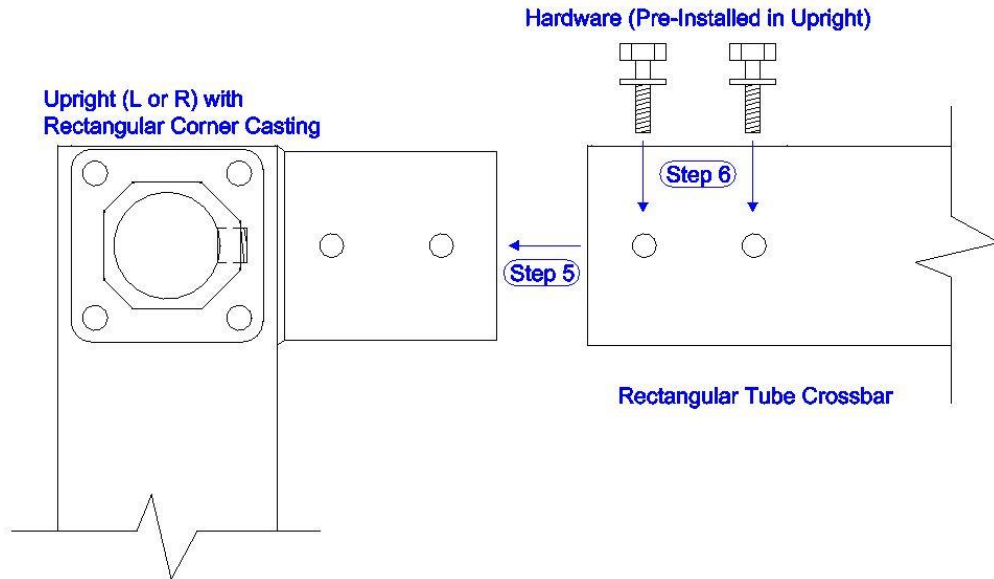
1. It will take one adult approximately 30 minutes to assemble this goal.
2. Tools Required:
  - a. Hex Key (Allen Wrench) – 5/16” (Included)
  - b. 5/8” Wrench or Adjustable Wrench
  - c. Crescent Wrench (Optional)

**Assembly Instructions:**

3. Remove all hardware from packaging and inspect to make sure it matches below list and there is no damage.

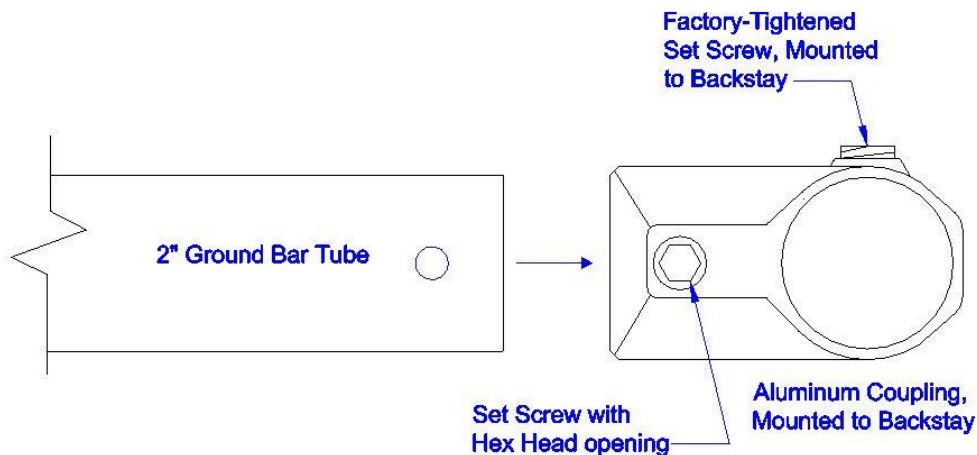
Item	Qty. Per Goal	Total
Crossbar Tube (with PEVO Label)	1	
Side Assembly (with Installed Hardware)	2	
Groundbar	1	
Net	1	
Net Ties	12, 14, 16, 18, 20, 20	
StayNet Fasteners	16, 21, 24, 27, 29, 33	
J-Stake or Auger and Chain (9 link)	2 or 2 Sets	
Hex Bolt – ¼” x 3 ¼”	2	
Nut – ¼”	2	
Lock Washer	2	

4. Lay Crossbar on flat surface with PEVO label facing upward and place Upright/Backstay Assemblies near each end of Crossbar. Remove Bolts and washers from stubs in Upright/Backstay Assemblies and set aside.
5. Raise one Upright/Backstay Assembly into vertical position and slide Upright Stub into end of Crossbar lying on flat surface until holes are aligned.
6. Install Washers and Hex Bolts through Crossbar holes and into threaded holes in Upright Stub. Begin threading bolts using **finger pressure** only. **BE CAREFUL NOT TO CROSS (STRIP) THREADS.** (See Figure 1)



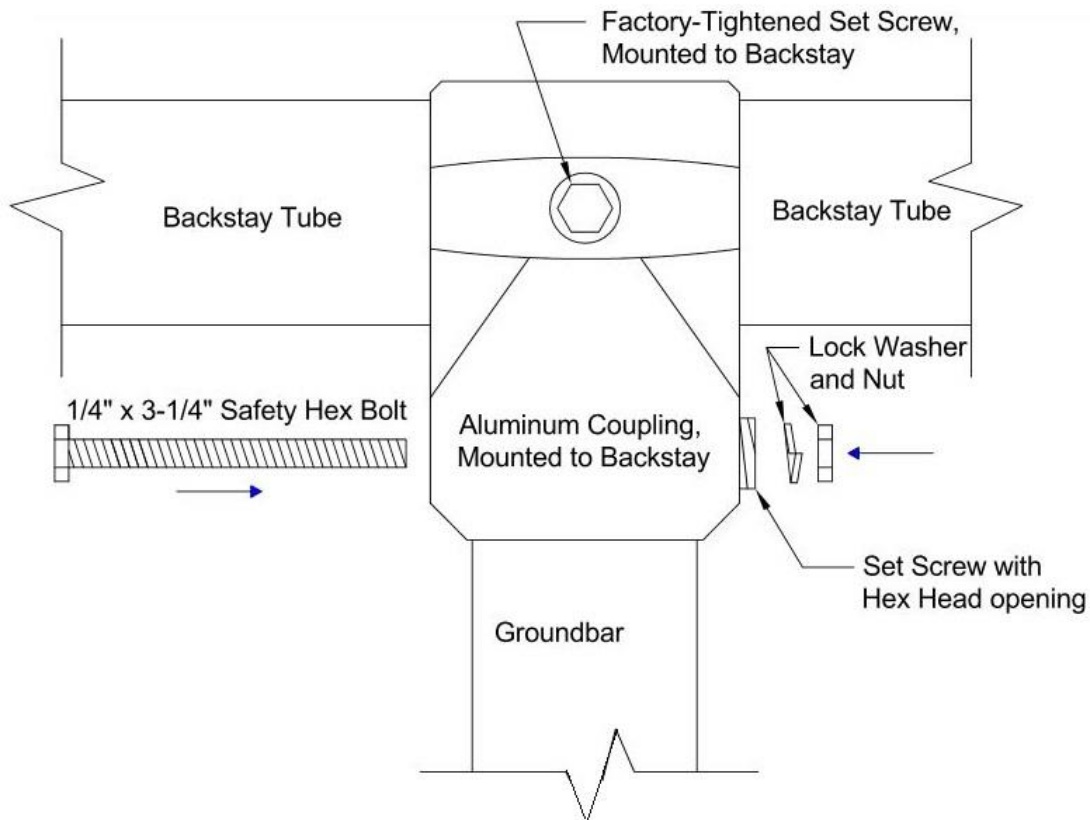
**Figure 1.** Upright/Backstay and Crossbar Assembly.

7. Tighten Hex Bolts with Wrench until snug. **DO NOT OVER TIGHTEN!**
8. Repeat steps 5-7 to secure opposite Upright/Backstay Assembly to other end of Crossbar. (See Figure 1)
9. Carefully raise Goal Assembly into position, lifting at the center of the Crossbar.
10. Place ends of Groundbar into castings in back of Upright/Backstay Assemblies and tighten set screws with Hex Key until snug. (See Figure 2)



**Figure 2.** Ground Bar Tube with set screw coupling.

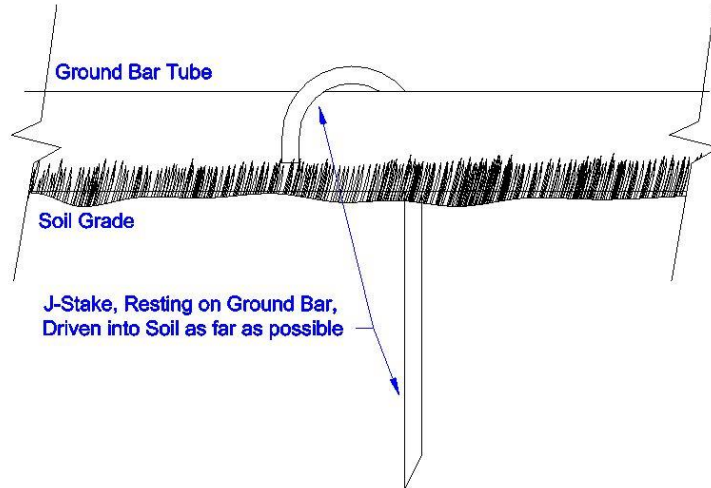
11. Push ¼" x 3-1/4" Hex Safety Bolt into Hole through side opposite of Set Screw, so that the threaded end is fed through set screw opening. (See Figure 3)



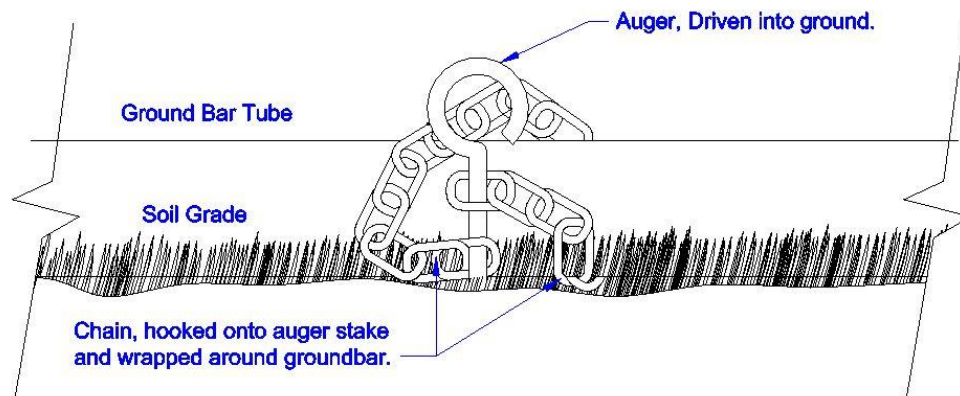
**Figure 3.** Ground Bar coupling with Safety Hardware.

12. Place Lock Washer and Nut on end of Bolt, and tighten using **finger pressure only**.
13. Tighten nut using wrench until snug.
14. Position Net on top of Goal Assembly insuring top of net is aligned with crossbar and net is resting on top of Backstays.
  - a. **NOTE:** Label indicates top corner of net.
15. Slide Net perimeter rope into Net Fasteners and push Net Fastener into holes in Frame. Continue until Crossbar and Uprights are completely attached to Net.
16. Secure the base of Net to frame using Net Ties.
17. Ensure net is completely attached to Goal Assembly. (See Figure 6)
18. Ensure Bolts, Nuts and Set Screws are all still properly tightened. (See Figure 6)
 

**DO NOT OVER TIGHTEN!**
19. Install J-Stakes or Auger and Chain over Groundbar tube near each end and step or twist into ground. (See Figure 4 and 5)



**Figure 4.** J-Stake installation over Groundbar tube.



**Figure 5.** Auger and Chain installation over Groundbar tube.



**Figure 5.** Assembled Club series goal.

**NOTE:** Club Series Goals require 220 lbs of counterweight if not anchored with provided J-Stake or Auger and Chain set.

**PEVO Sports Co.**  
**Phone: (910) 397-9388**

**212 Transcom Ct**  
**Fax: (910) 397-9389**  
**www.pevosports.com**

**Wilmington, NC 28401**  
**E-mail: don@pevosports.com**