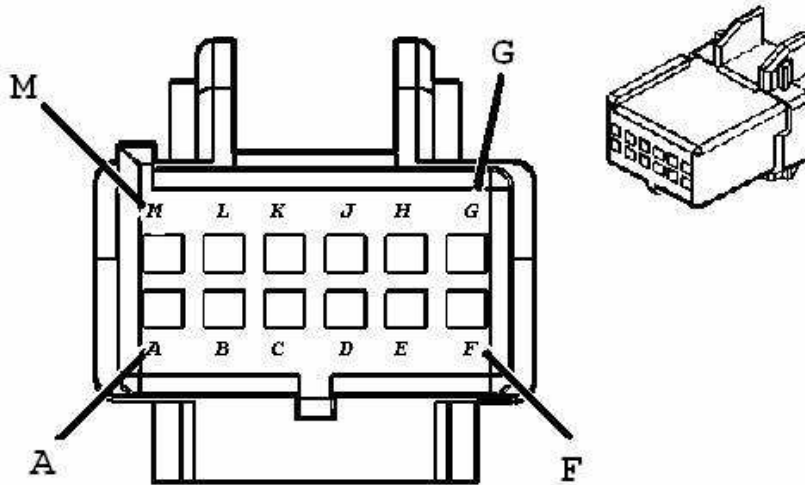


Car Wheel Changers

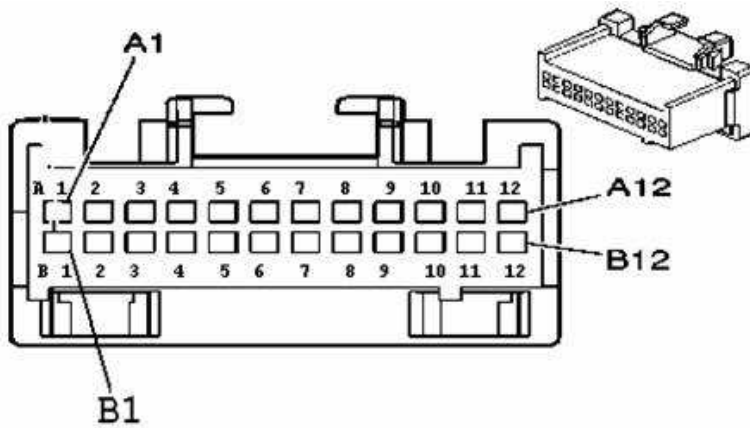
Financing: 6 months same as cash! Locations Across the Nation
www.BestBuyAutoEquipment.com

Hope that these help. These are the connectors for the radio and for the Remote Playback Device.

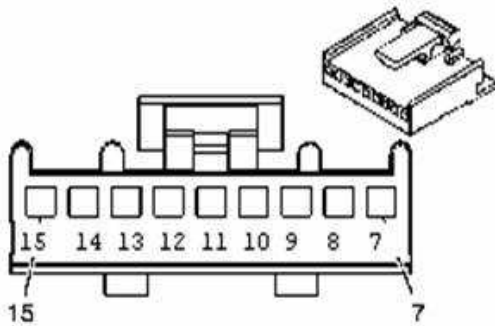
The VCI is "Vehicle Configuration Identification" number. It's a GM Part Number for the specific program that will run the option combination in your truck.



Connector Part Information		<ul style="list-style-type: none"> • 12064799 • 12-Way F Micro-Pack 100 Series (BLK) 	
Pin	Wire Color	Circuit No.	Function
A-B	--	--	Not Used
C	BARE	1573	Drain Wire (w/ U2K/U2L)
E	--	--	VSS (vehicle speed sensor)
F-G	--	--	Not Used
H	DK GRN/WHT	369	Remote Playback Device Right Audio Signal (w/ U2K/U2L)
J	BRN/WHT	367	Remote Playback Device Left Audio Signal (w/ U2K/U2L)
K	BLK/WHT	372	Remote Playback Device Common Audio Signal (w/ U2K/U2L)
L	ORN/BLK	2061	Cellular Telephone Voice Low Reference
M	PNK/BLK	2062	Cellular Telephone Voice Signal



Connector Part Information		<ul style="list-style-type: none"> • 12110088 • 24-Way F Micro-Pack 100 Series (GRN) 	
Pin	Wire Color	Circuit No.	Function
A1	ORN	1044	Radio Class 2 Serial Data
A2	--	--	Not Used
A3	PPL	493	Rear Seat Audio Enable Signal (UQ7)
A4-A7	--	--	Not Used
A8	TAN	201	Left Front Speaker Output (+) (UQ3/UQ5)
	TAN	511	Left Front Low Level Audio Signal (+) (UQ7)
A9	GRY	118	Left Front Speaker Output (-) (UQ3/UQ5)
	DK GRN	1947	Left Front Low Level Audio Signal (-) (UQ7)
A10	LT BLU	115	Right Rear Speaker Output (-) (UQ3/UQ5)
	BLK	1946	Right Rear Low Level Audio Signal (-) (UQ7)
A11	DK BLU	46	Right Rear Speaker Output (+) (UQ3/UQ5)
	DK BLU	546	Right Rear Low Level Audio Signal (+) (UQ7)
A12	BLK/WHT	1851	Ground
B1	ORN	340	Battery Positive Voltage
B2	--	--	Not Used
B3	PNK	314	Radio On Signal (UQ7 w/o Y91)
B4-B5	--	--	Not Used
B6	GRY/BLK	2334	Radio Mute (UQ7 w/o Y91)
B7	--	--	Not Used
B8	BRN	199	Left Rear Speaker Output (+) (UQ3/UQ5)
	BRN	599	Left Rear Low Level Audio Signal (+) (UQ7)
B9	YEL	116	Left Rear Speaker Output (-) (UQ3/UQ5)
	DK GRN/WHT	1547	Left Rear Low Level Audio Signal (-) (UQ7)
B10	DK GRN	200	Right Front Speaker Output (+) (UQ3/UQ5)
	ORN/BLK	1546	Right Front Low Level Audio Signal (-) (UQ7)
B11	LT GRN	117	Right Front Speaker Output (-) (UQ3/UQ5)
	LT GRN	512	Right Front Low Level Audio Signal (+) (UQ7)
B12	--	--	Not Used



Connector Part Information		<ul style="list-style-type: none"> • 12064980 • 9-Way F Micro-Pack 100 Series (BLK) 	
Pin	Wire Color	Circuit No.	Function
7	--	--	Not Used
8	BRN/WHT	230	Instrument Panel Lamps Dimming Control
9	--	--	Not Used
10	DK GRN/WHT	368	Remote Playback Device Right Audio Signal
11	BRN/WHT	367	Remote Playback Device Left Audio Signal
12	BLK/WHT	372	Remote Playback Device Common Audio Signal
13	BLK/WHT	1851	Ground
14	TAN	5072	Remote Playback Device Class 2 Serial Data
15	ORN	3240	Battery Positive Voltage