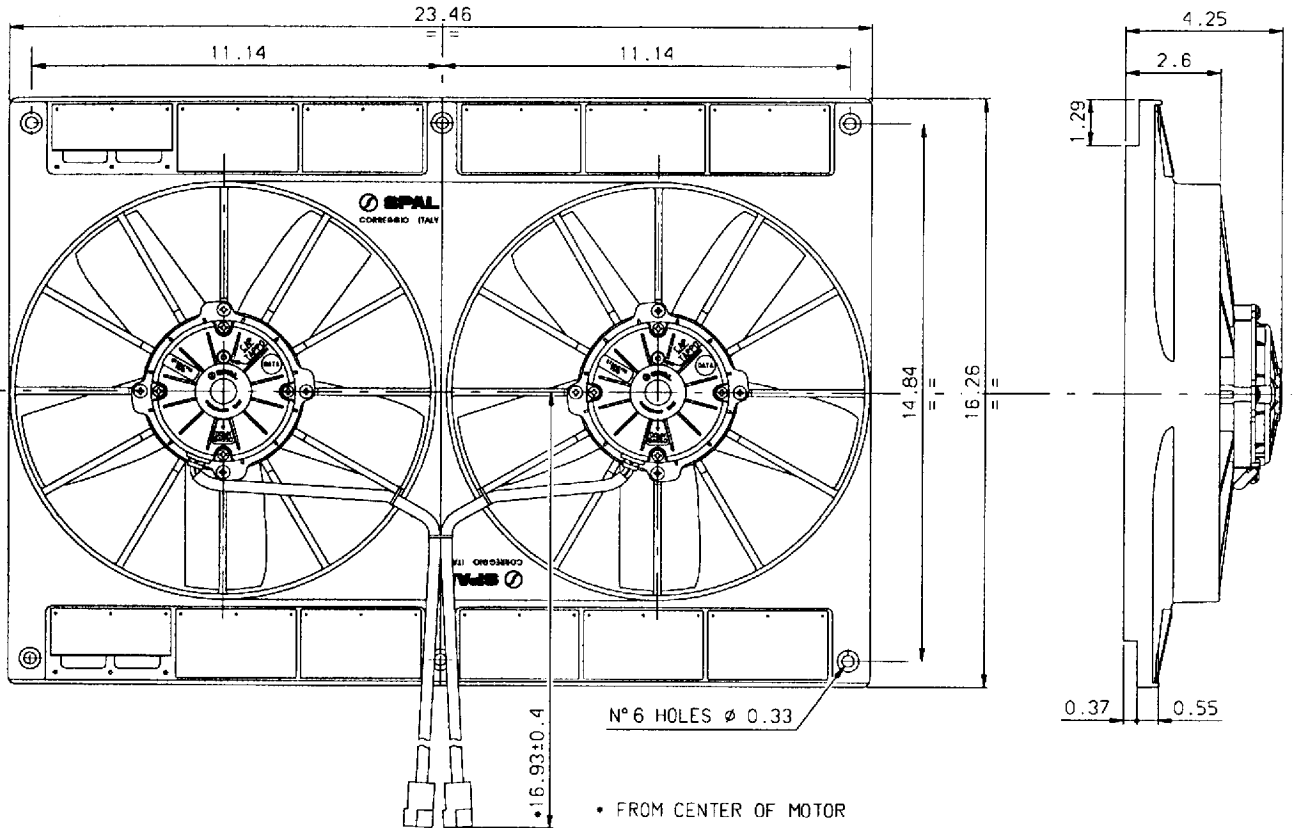


<p>Art. <b>30100846</b></p>	<p>Type <b>2VA06 - AP6 - 37A Pull</b></p>	<p>Fan diameter <b>11"</b></p>
---------------------------------	---	------------------------------------

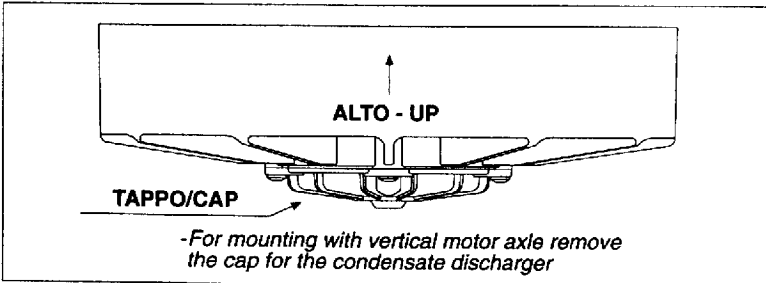


(All dimensions are in inches)

Test voltage 13 V DC

Static pressure in. H <sub>2</sub> O	Airflow cfm	Current input A
0	2780	25
0.2	2450	27
0.4	2130	28
0.6	1600	29
0.8	1070	30
1.0	830	32
1.2	540	33
1.4	—	36

Static pressure: 1 mm H<sub>2</sub>O = 0,04 in. H<sub>2</sub>O  
Airflow: 1 m<sup>3</sup>/h = 0,59 cfm



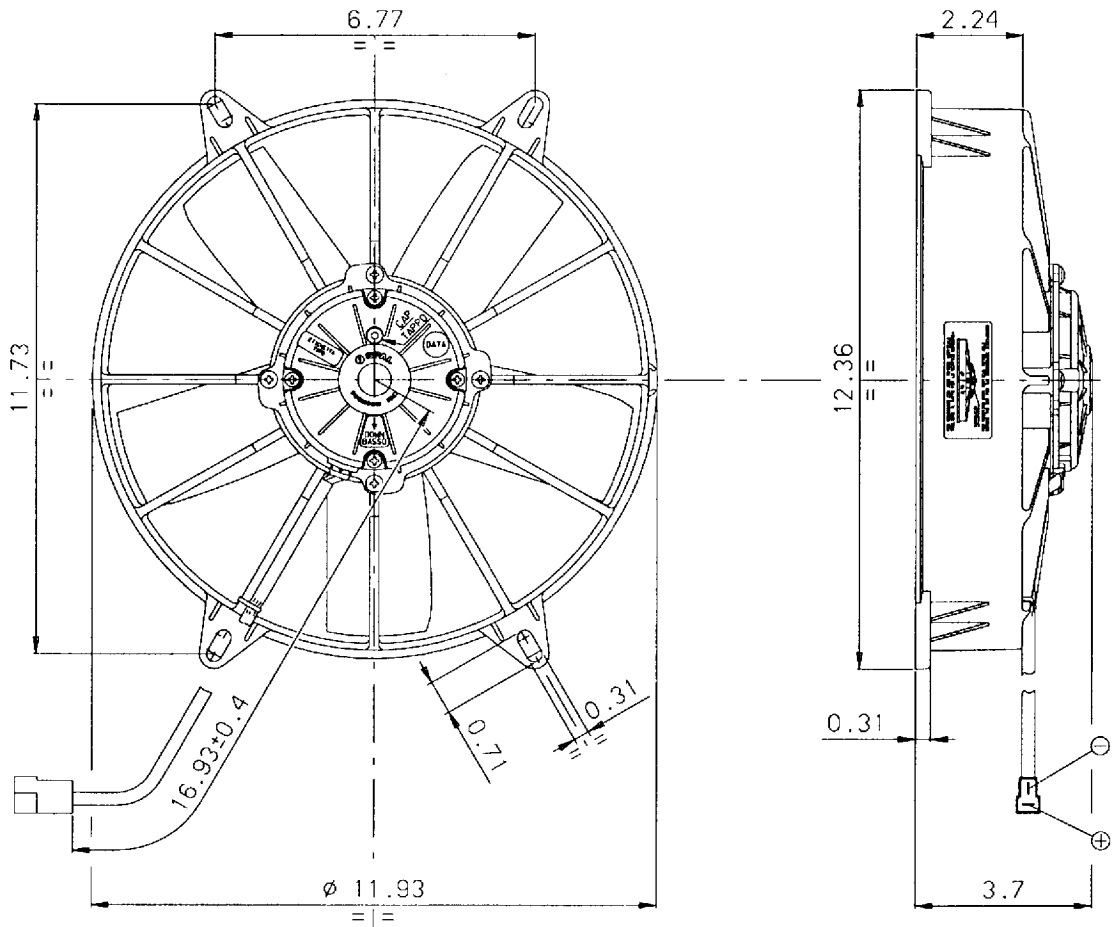
-For mounting with vertical motor axle remove the cap for the condensate discharger

\* Weight 10.56 lbs. approx.

\* Closed motor

\* Long life

Art. 30100178 30100177	Type VA03 - AP6 - 37A Pull VA03 - AP6 - 37S Push	Fan diameter 11"
------------------------------	--	---------------------

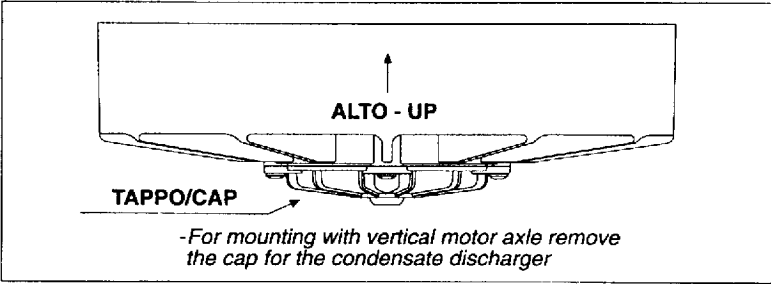


(All dimensions are in inches)

Test voltage 13 V DC

Static pressure in. H <sub>2</sub> O	Airflow cfm	Current input A
0	1390	12.5
0.2	1230	13.5
0.4	1070	14
0.6	800	14.5
0.8	540	15
1.0	420	16
1.2	270	16.5
1.4	-	18

Static pressure: 1 mm H<sub>2</sub>O = 0.04 in. H<sub>2</sub>O  
Airflow: 1 m<sup>3</sup>/h = 0.59 cfm

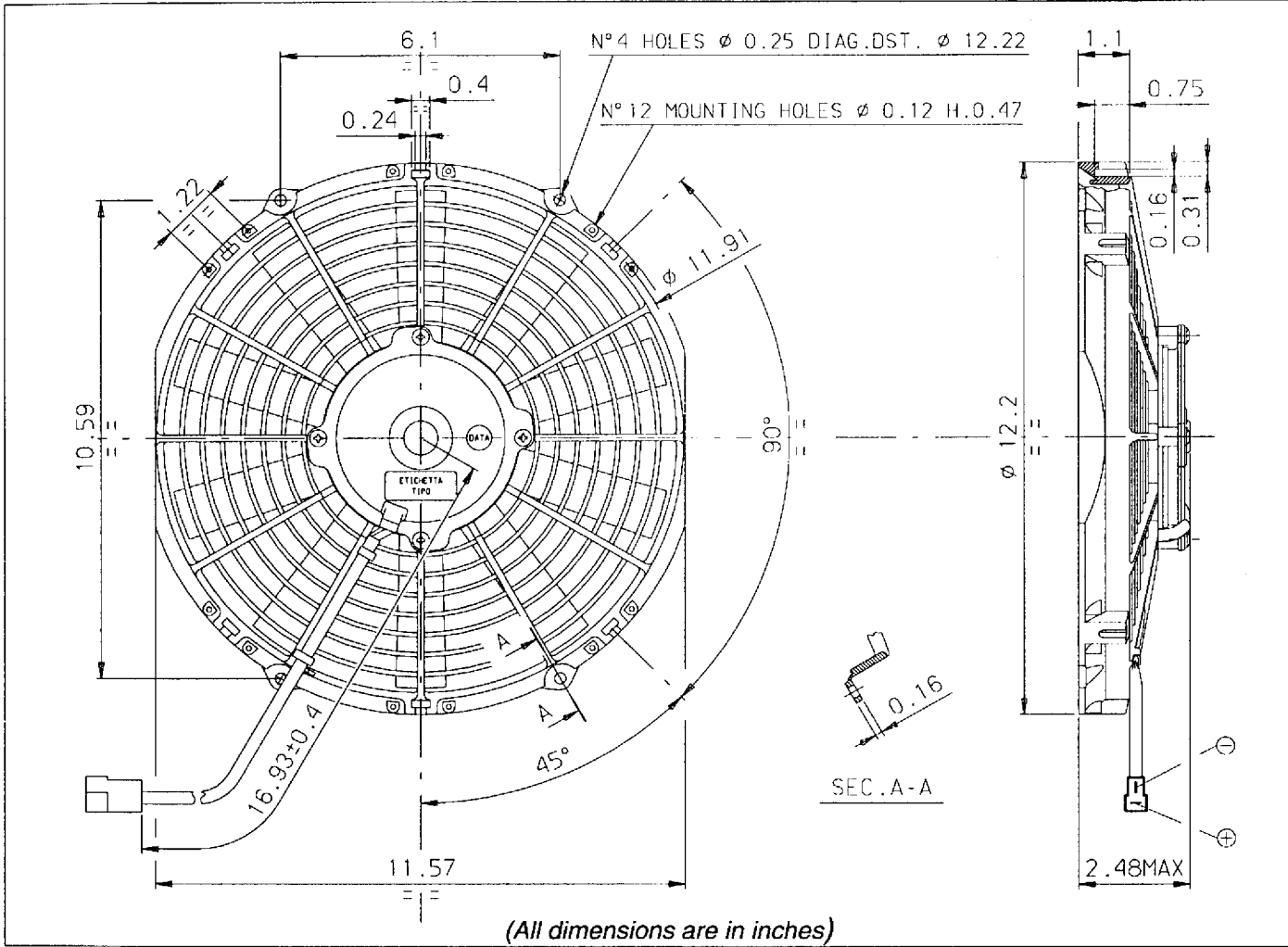


\* Weight 5.17 lbs. approx.

\* Closed motor

\* Long life

<b>Art.</b> 30101500 30101502	<b>Type</b> VA09 - AP50/C - 27A Pull VA09 - AP50/C - 27S Push	<b>Fan diameter</b> 11"
-------------------------------------	---	----------------------------



\_\_\_\_\_

- \* Weight 3.3 lbs. approx.
- \* Long life
- \* Closed motor
- \* Available accessories: all the mounting kits.

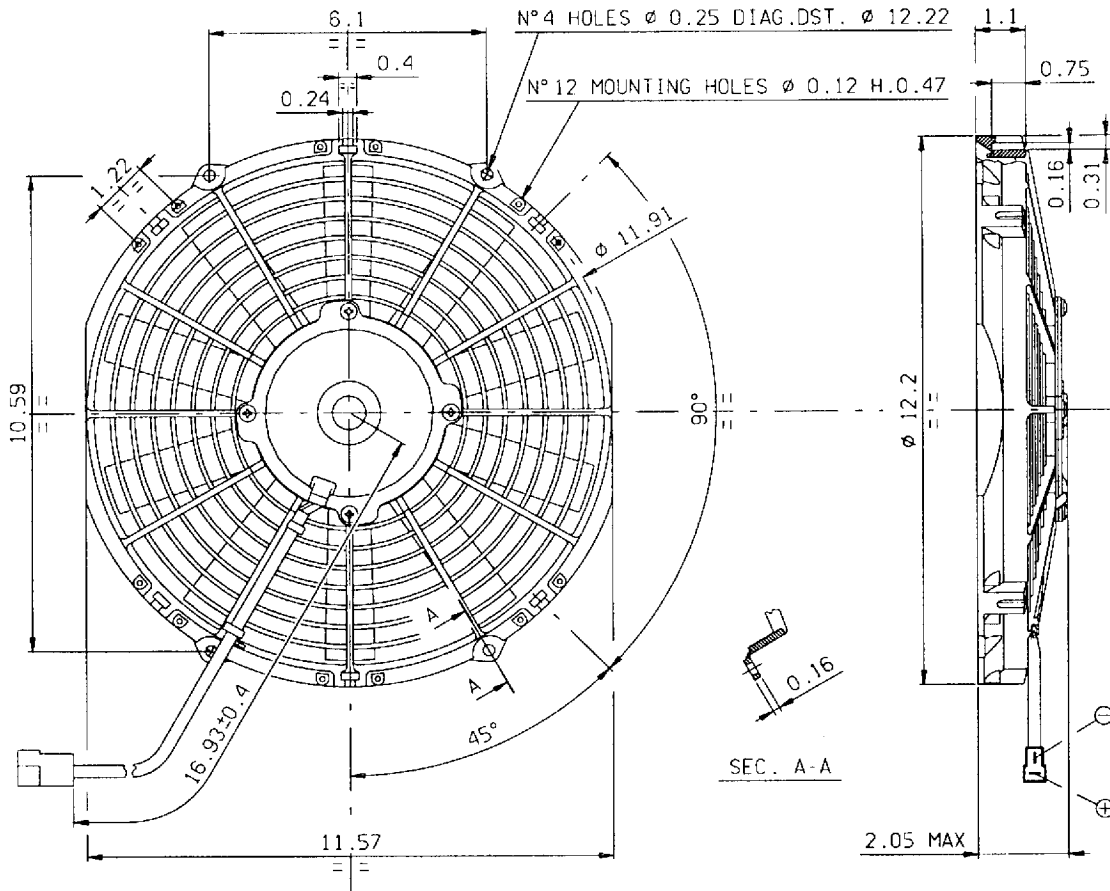
\_\_\_\_\_

Test voltage 13 V DC

Static pressure	Airflow	Current input
in. H <sub>2</sub> O	cfm	A
0	970	8.3
0.1	910	8.7
0.2	850	8.9
0.3	790	9.1
0.4	720	9.2
0.5	640	9.2
0.6	550	9.1
0.7	420	9.1
0.8	280	8.9
1.0	90	9.0
1.2	-	9.2

Static pressure: 1 mm H<sub>2</sub>O = 0,04 in. H<sub>2</sub>O  
 Airflow: 1 m<sup>3</sup>/h = 0,59 cfm

Art. <b>30100364</b> <b>30100365</b>	Type <b>VA09 - AP8/C - 27A Pull</b> <b>VA09 - AP8/C - 27S Push</b>	Fan diameter <b>11"</b>
--	--	----------------------------



(All dimensions are in inches)

Test voltage 13 V DC

Static pressure	Airflow	Current input
in. H <sub>2</sub> O	cfm	A
0	810	6.8
0.1	740	7
0.2	660	7.2
0.3	560	7.3
0.4	460	7.3
0.5	310	7.3
0.6	180	7.3
0.7	—	7.3

Static pressure: 1 mm H<sub>2</sub>O = 0,04 in. H<sub>2</sub>O  
Airflow: 1 m<sup>3</sup>/h = 0,59 cfm

\* Weight 2.5 lbs. approx.

\* Closed motor

\* Long life

\* Available accessories: all the mounting kits.