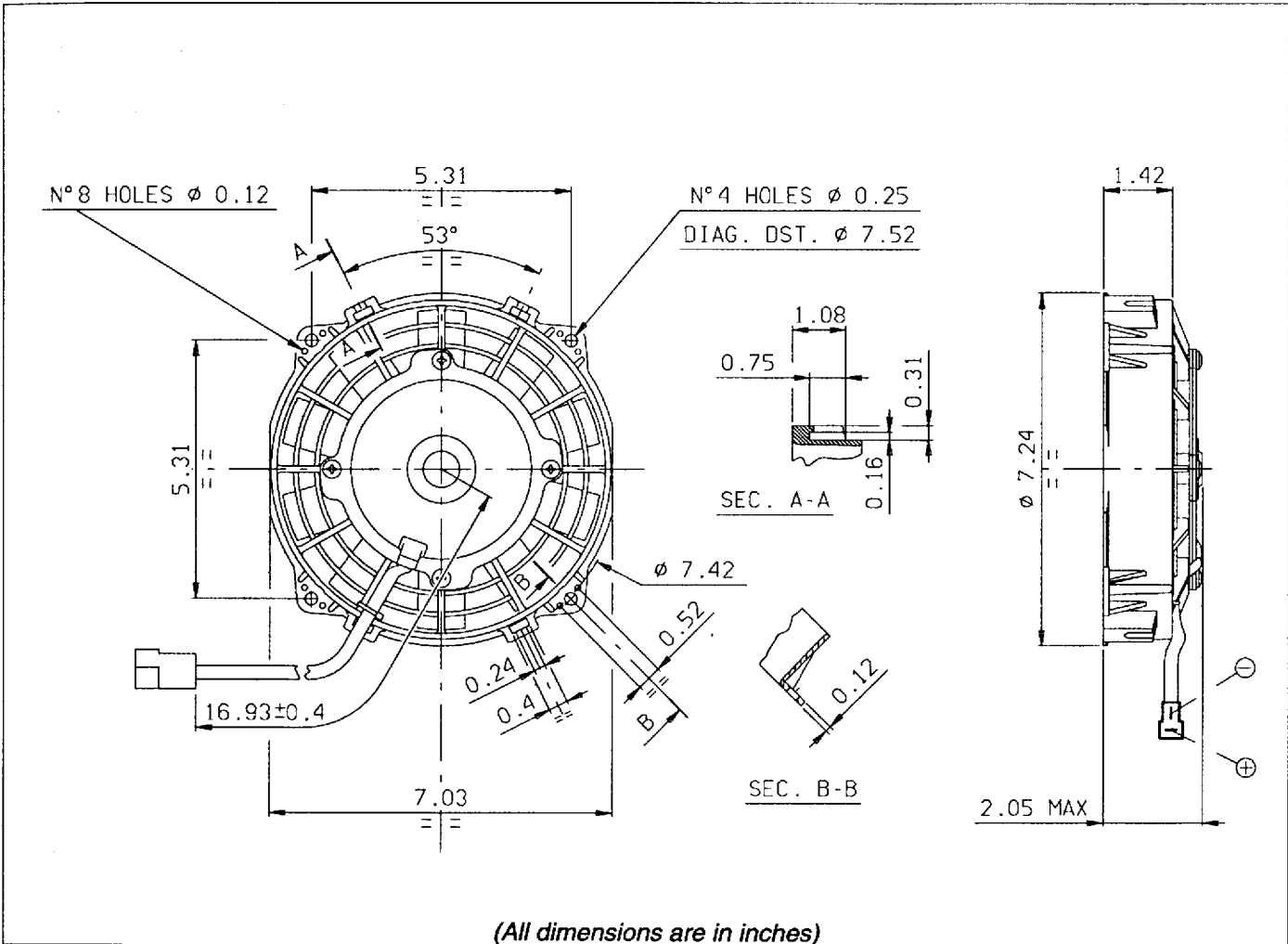


Art. 30100402 30100403	Type VA22 - AP11/C - 50A Pull VA22 - AP11/C - 50S Push	Fan diameter 6.5"
------------------------------	--	--------------------------



Test voltage 13 V DC

Static pressure	Airflow	Current input
in. H ₂ O	cfm	A
0	330	6.3
0.1	310	6.4
0.2	290	6.5
0.3	270	6.5
0.4	240	6.3
0.5	160	6.2
0.6	120	6.1
0.7	100	6.3
0.8	60	6.5
0.9	—	6.5

Static pressure: 1 mm H₂O = 0,04 in. H₂O
Airflow: 1 m³/h = 0,59 cfm

* Weight 1.8 lbs. approx.

* Closed motor

* Long life

* Available accessories: all the mounting kits.