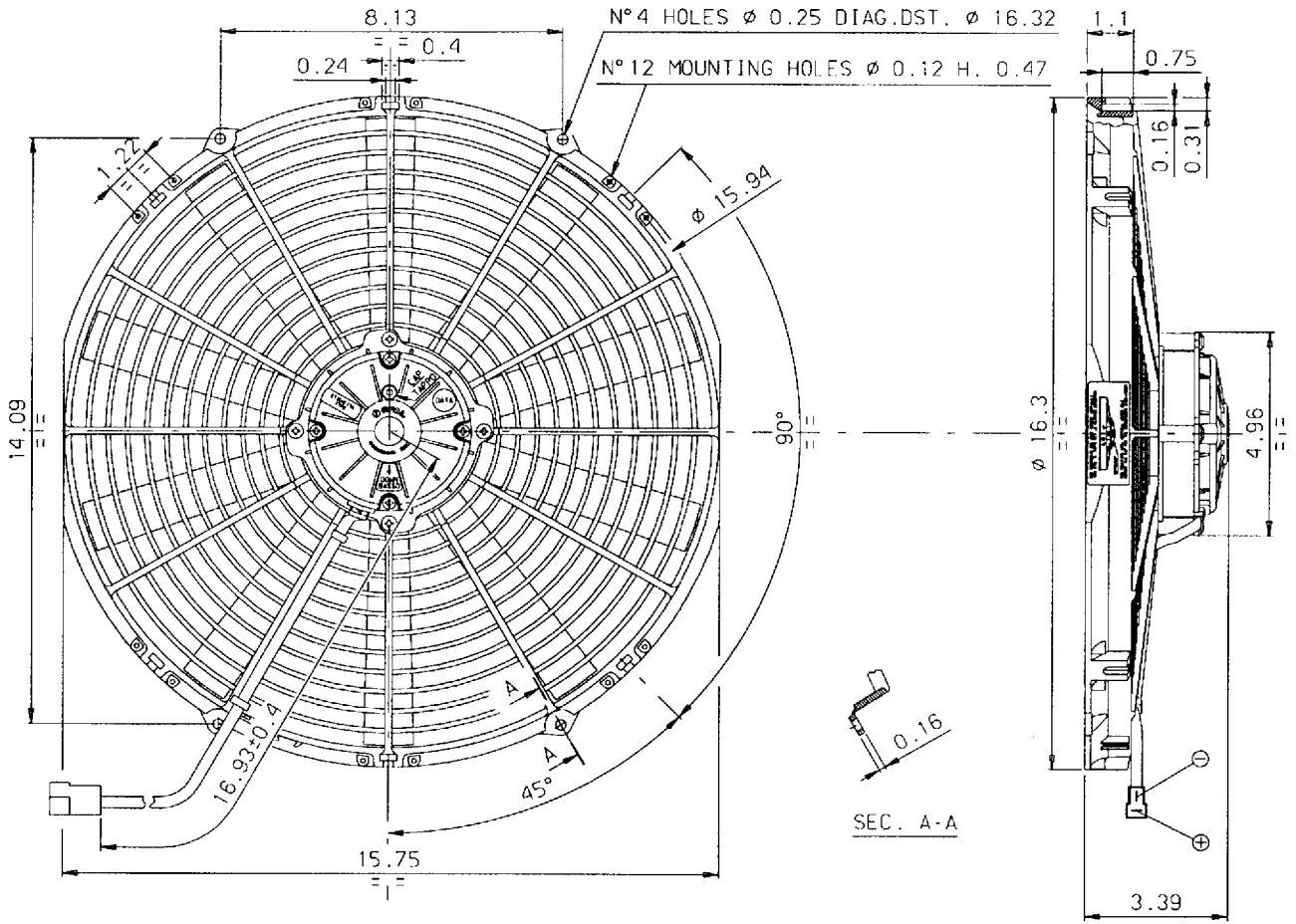
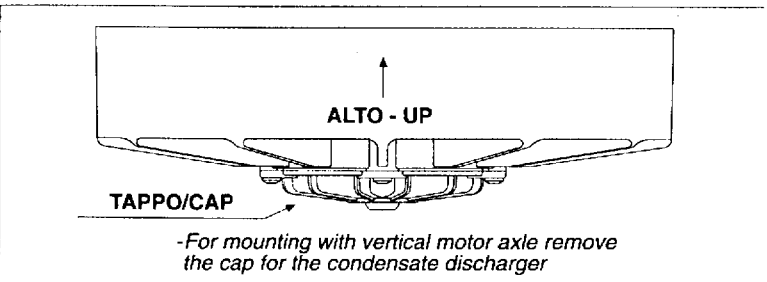


Art. 30100231 30100232	Type VA18 - AP6 - 41MA Pull VA18 - AP6 - 41MS Push	Fan diameter 16"
--	--	----------------------------



(All dimensions are in inches)



Test voltage 13 V DC

Static pressure	Airflow	Current input
in. H ₂ O	cfm	A
0	2360	21.6
0.2	2040	21.7
0.4	1720	21.8
0.5	1570	22.2
0.6	1390	22.2
0.7	1180	22
0.8	950	21.7
1.0	510	20.7
1.2	-	20.7

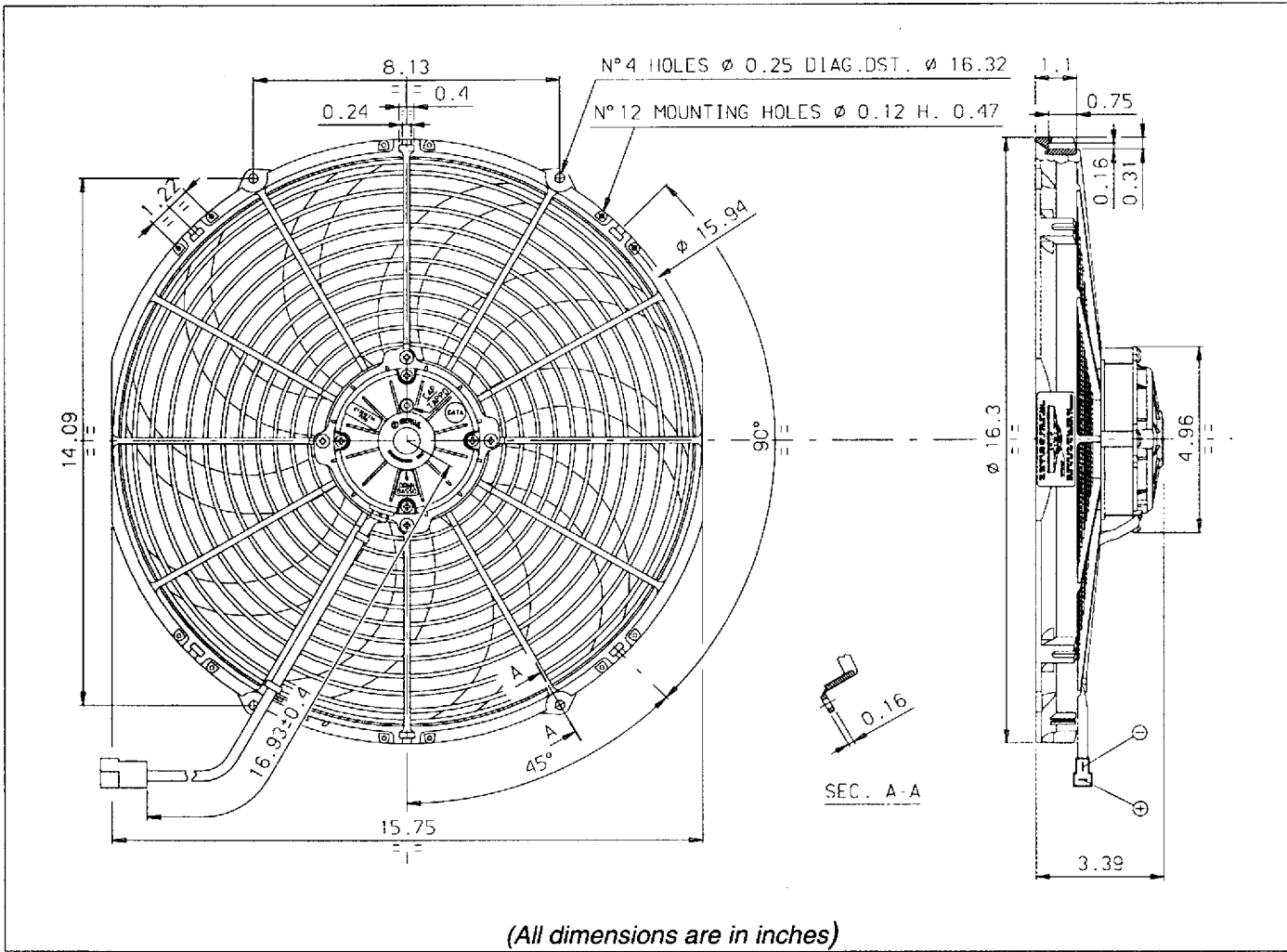
Static pressure: 1 mm H₂O = 0,04 in. H₂O
Airflow: 1 m³/h = 0,59 cfm

* Weight 5.17 lbs. approx.

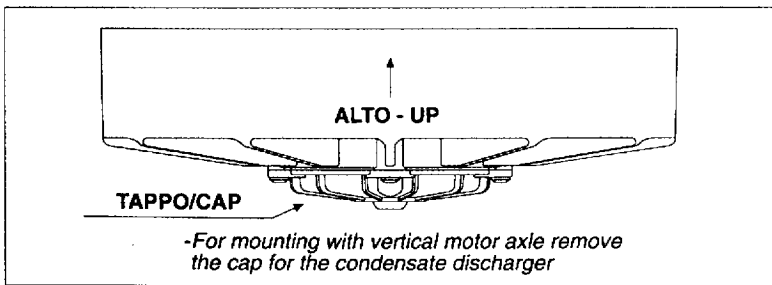
* Long life

* Available accessories: all the mounting kits.

Art. 30100825/267 30100223	Type VA18 - AP13 - 59A Pull VA18 - AP13 - 42S Push	Fan diameter 16"
---	---	---------------------------------------



(All dimensions are in inches)



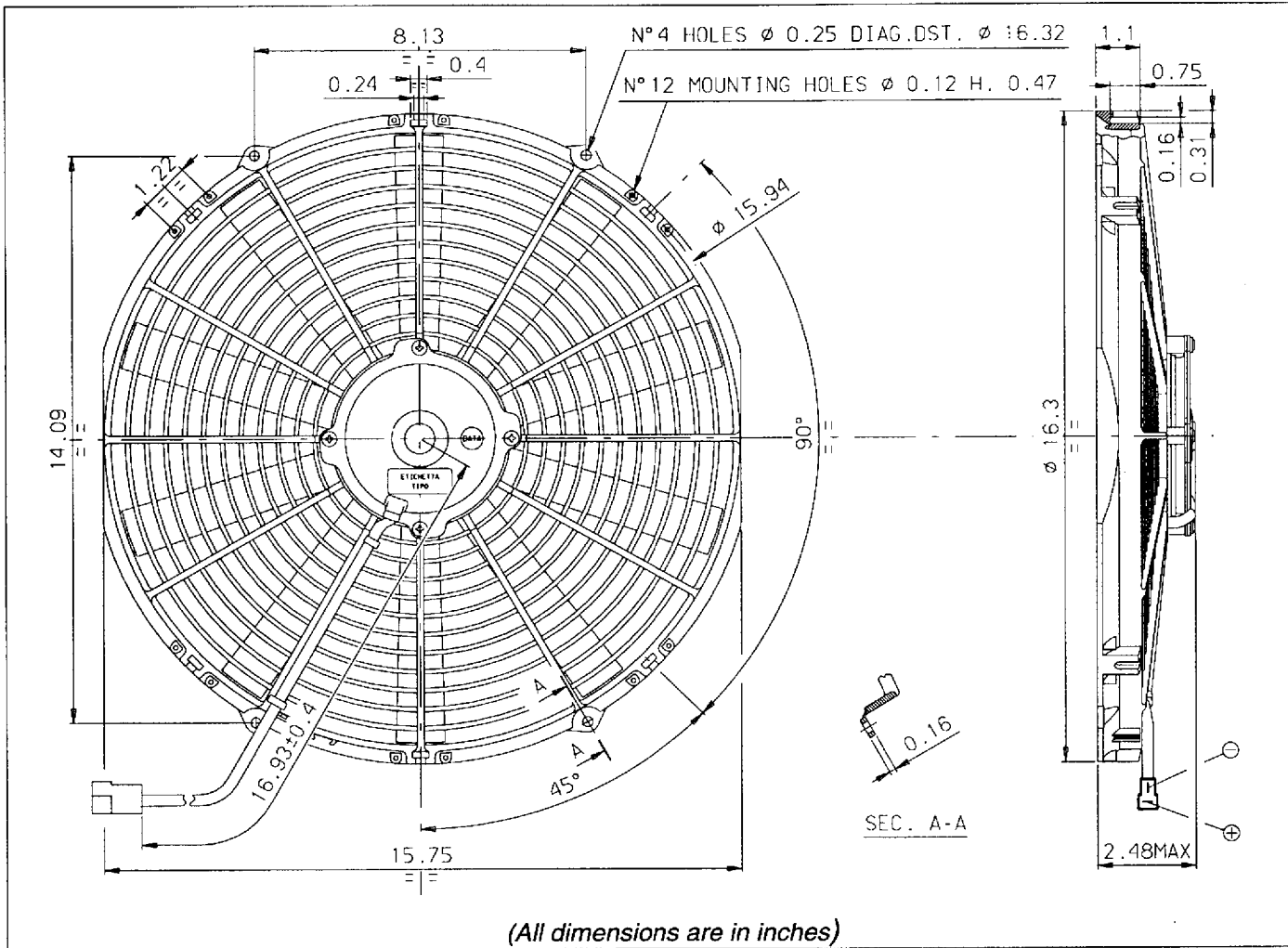
Test voltage 13 V DC

Static pressure in H ₂ O	PUSH		PULL	
	Airflow cfm	Current input A	Airflow cfm	Current input A
0	1920	18.5	2070	17.4
0.1	1740	18.4	1950	17.6
0.2	1570	18.3	1860	18.5
0.3	1390	18.2	1710	18.7
0.4	1120	18	1570	19
0.5	860	17.6	1360	18.8
0.6	510	17	1040	18.3
0.7	90	17.8	650	17.2
0.8	-	18	450	17
1.0	-	-	-	17

Static pressure: 1 mm H₂O = 0,04 in. H₂O
 Airflow: 1 m³/h = 0,59 cfm

- * Weight 5.17 lbs. approx.
- * Long life
- * Fan with back skewed blades
- * Low noise
- * Available accessories: all the mounting kits.

<p>Art. 30101516 30101517</p>	<p>Type VA18 - AP51/C - 41A Pull VA18 - AP51/C - 41S Push</p>	<p>Fan diameter 16"</p>
---------------------------------------	---	-----------------------------



[Empty box]

* Weight 2.9 lbs. approx.

* Closed motor

* Long life

* Available accessories: all the mounting kits.

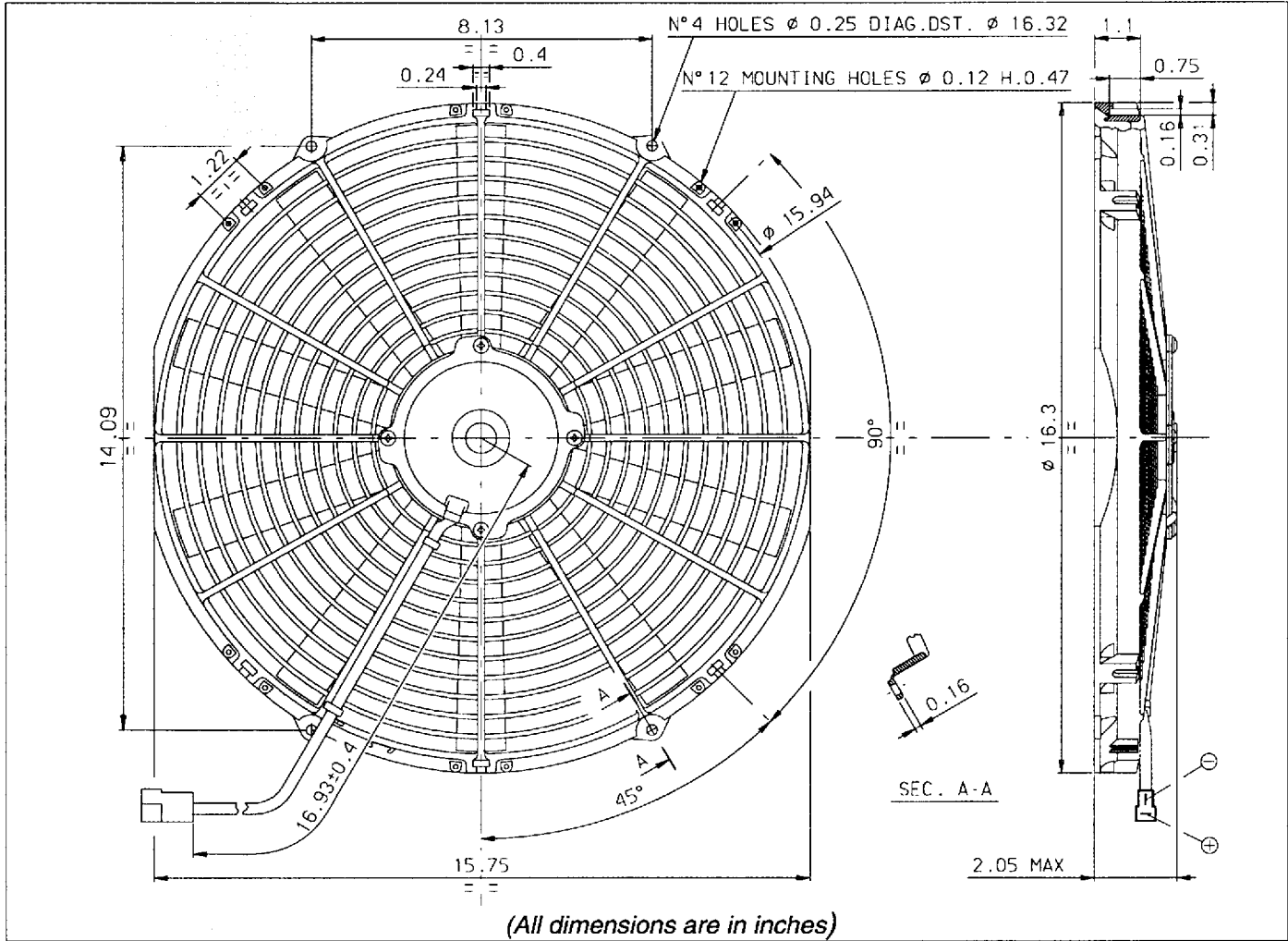
[Empty box]

Test voltage 13 V DC

Static pressure	Airflow	Current input
in. H ₂ O	cfm	A
0	1610	11.0
0.1	1510	11.6
0.2	1390	12.2
0.3	1300	12.5
0.4	1170	12.9
0.5	1020	13.0
0.6	840	12.9
0.7	630	12.5
0.8	430	12.2
1.0	-	11.5

Static pressure: 1 mm H₂O = 0,04 in. H₂O
Airflow: 1 m³/h = 0,59 cfm

<p>Art. 30100400 30100401</p>	<p>Type VA18 - AP10/C - 41A Pull VA18 - AP10/C - 41S Push</p>	<p>Fan diameter 16"</p>
---------------------------------------	---	-----------------------------



Test voltage 13 V DC

Static pressure	Airflow	Current input
in. H ₂ O	cfm	A
0	1300	7.5
0.1	1150	8.1
0.2	990	8.3
0.3	790	8.5
0.4	540	8.5
0.5	290	8
0.6	—	8

Static pressure: 1 mm H₂O = 0,04 in. H₂O
Airflow: 1 m³/h = 0,59 cfm

* Weight 2.9 lbs. approx.

* Closed motor

* Long life

* Available accessories: all the mounting kits.