



Powered and Manual Stretcher Transfers

5479.00 & 5472.00

Topaz Transfer Stretcher

Bathing – the perfect time to relax and recline

Our **Topaz** bathing transfer stretcher makes bathing efficient and comfortable. It features three wide anti-shear mattress sections, which fit neatly into variable height baths, as well as domestic baths, subject to installation. The mattresses are easily removable for cleaning and replacement, the safety armrests fold down, the leg and backrest sections are fully adjustable and the anti-corrosion steel frame has been specifically designed for full immersion.

The **Topaz** stretcher provides effective posture management for patients with more challenging needs and is easily manoeuvrable with the swivel wheels and low wheelbase allowing precise positioning in relation to the bath.



Stretcher lowered into bath



Height adjustable frame

Topaz Powered and Manual Transfer Stretcher

Metallic Frame

- ▶ Anti-corrosion coated, grey painted finish
- ▶ Plum coloured mattress sections
- ▶ 2 wheels with brake castors at the rear and 2 non-brake castors fitted to the front of chassis for manoeuvrability

Lifting System (Powered)

- ▶ 24V electric actuator
- ▶ Electrical remote control
- ▶ Emergency stop button
- ▶ Emergency lowering button
- ▶ 2x12 volts rechargeable battery, 8Ah
- ▶ 24V charger, 1000mA
- ▶ 1.6A recharging fuse located on the cover
- ▶ 10A general fuse located on the right side of frame
- ▶ Range: 80 ↑ ↓ with 130kg

Lifting System (Manual)

- ▶ Hydraulic actuator
- ▶ Foot operated adjustment

Submergible Parts

- ▶ Steel mattress platform in 3 sections
- ▶ Adjustable backrest
- ▶ PVC mattress, waterproof (3 sections)

General

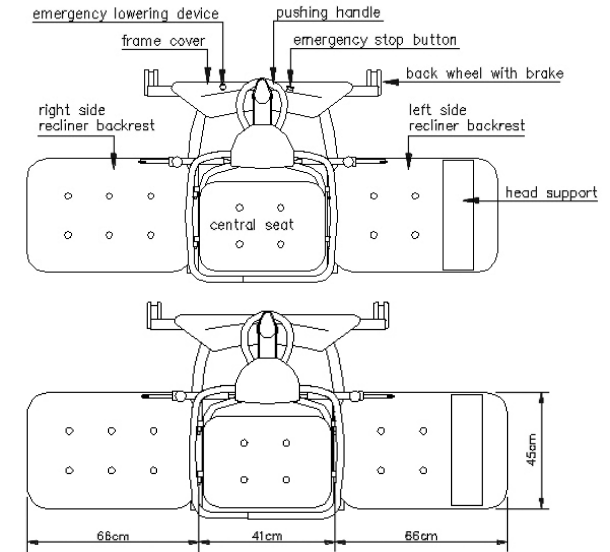
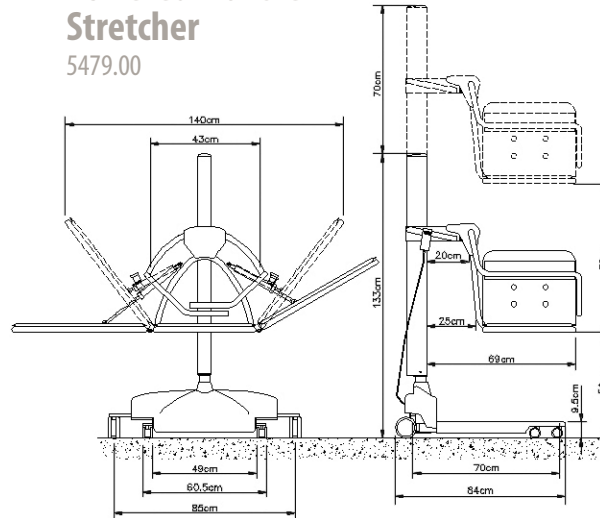
- ▶ Lifting range: Powered: 60 cm
Manual: 50 cm
- ▶ Maximum weight of the patient: 150 kg
- ▶ Weight of the chair lift: Powered: 58 kg
Manual: 63 kg

Conformity

- ▶ CE marking
- ▶ 93/42/EEC (Medical Devices)
- ▶ In conformity with standard NF EN ISO 10535 for hoists to transfer disabled persons
- ▶ Standards: EN292 / EN614-1 / EN980 / EN1041 / EN1441 / EN ISO 9999(1998) / EN60601-1 / EN60601-1-2 / EN12182(1997)

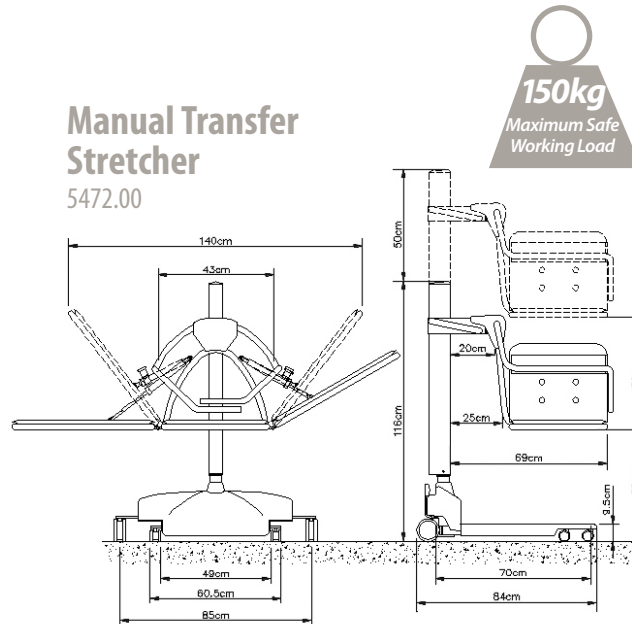
Powered Transfer Stretcher

5479.00



Manual Transfer Stretcher

5472.00



Stretcher positioned correctly over bath