



Powered and Manual Bath Hoists

5469.00 & 5462.00

Topaz Bathing Hoists

Cleanliness and comfort all in one sitting

The **Topaz** bathing hoist makes bathing routines easy. Compact in design and light and easy to manoeuvre, the **Topaz** is ideal for use with height adjustable baths as the low wheelbase and four swivel wheels and brakes enable precise positioning underneath the bath.

Patients are immersed into and out of the bath effortlessly, smoothly and silently at the press of a button, with a safety belt providing added security. The steel structure is corrosion resistant, the armrests and padded backrest fold away and its comfortable one-piece moulded seat is removable for cleaning, ensuring maximum hygiene during the healthcare routine.



Adjustable padded backrest



Leg rest and safety belt

Topaz Powered and Manual Bath Hoists

Metallic Frame

- ▶ Anti-corrosion coated, grey colour
- ▶ Covers, plum colour
- ▶ 2 rear braked castors
- ▶ 2 non braked castors at the front chassis for added manoeuvrability

Lifting System (Powered)

- ▶ 24V electric actuator
- ▶ Electric remote control
- ▶ Emergency stop button
- ▶ Emergency lowering button
- ▶ 2x12 volts rechargeable battery, 8Ah
- ▶ 24V charger, 1000mA
- ▶ 1.6A recharging fuse located on the cover
- ▶ 10A general fuse located on the right side of frame
- ▶ Range: 80 ↑ ↓ with 130kg

Lifting System (Manual)

- ▶ Hydraulic actuator
- ▶ Foot operated adjustment

Submergible Parts

- ▶ Steel chassis with two adjustable armrests and moulded seat in polyurethane with rear aperture

General

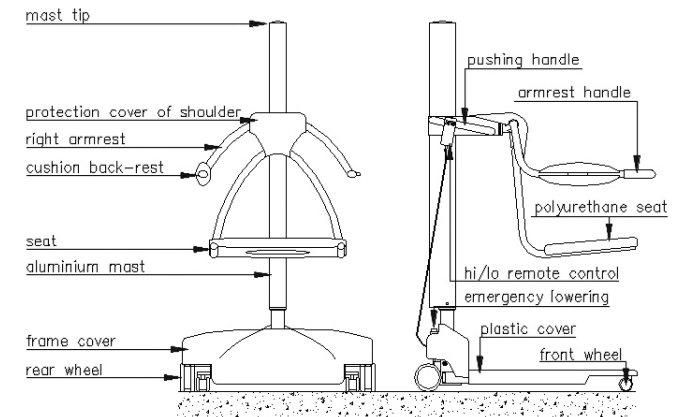
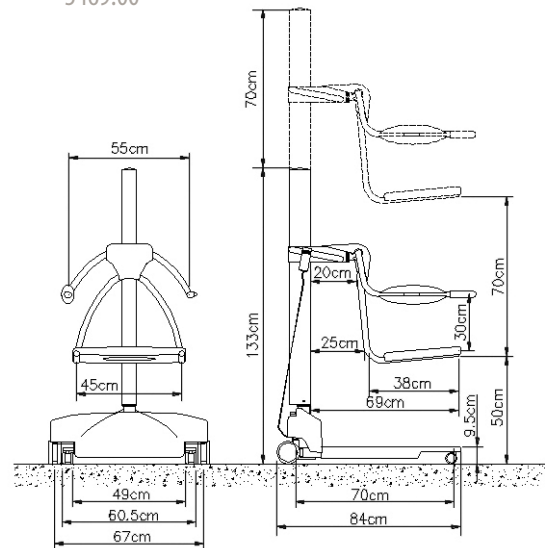
- ▶ Lifting range:- Powered: 60 cm
Manual: 50 cm
- ▶ Maximum user weight of the patient: 150 kg
- ▶ Product weight: 52 kg

Conformity

- ▶ CE marking
- ▶ 93/42/EEC (Medical Devices)
- ▶ In conformity with standard NF EN ISO 10535 for hoists to transfer disabled persons
- ▶ Standards: EN292 / EN614-1 / EN980 / EN1041 / EN1441/ EN ISO 9999(1998) / EN60601-1 / EN60601-1-2 / EN12182(1997)

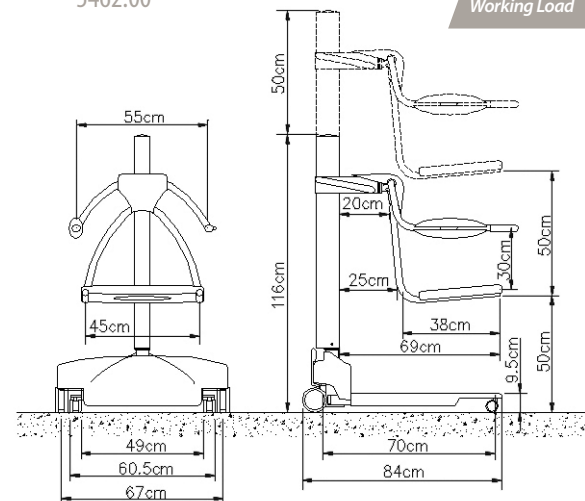
Powered Bath Hoist

5469.00



Manual Bath Hoist

5462.00



Seat hoist positioned over bath