

VARIABLE HEIGHT BATH & INTEGRAL TRANSFER SYSTEM CAPRICE

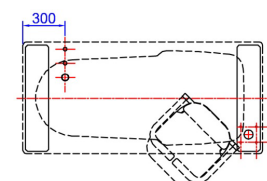
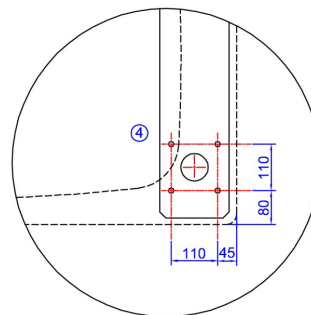
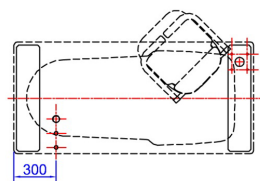
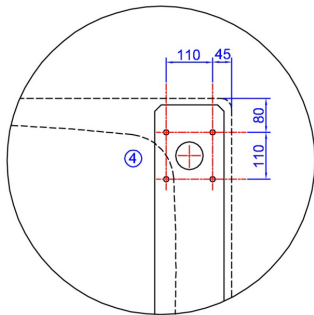
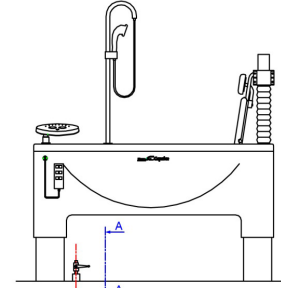
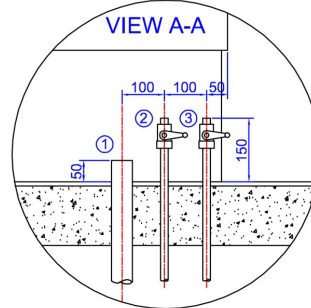
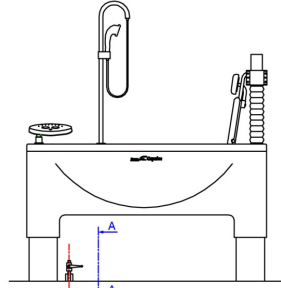
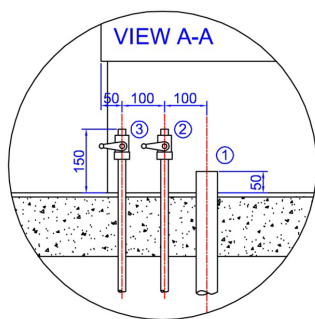


7101.01 UK
7101.02 UK

TECHNICAL NEEDS FOR INSTALLATION OF THE BATHTUB & INSTALLATION REQUIREMENTS

7101.02 CAPRICE BATH RIGHT HAND ACCESS

7101.01 CAPRICE BATH LEFT HAND ACCESS



WATER FEEDING REQUIREMENTS:

Maximum Static Pressure : 5 bar
Minimum Static Pressure: 1,5 bar
Supply Pressure Differential: max 3:1 (equal pressure recommended)
Minimum Flow Rate: 25 L/min
Minimum Blend Temperature Differential from Hot Supply: 2°C
Cold Water Range: 1-20°C
Hot Water Range: 50-65°C (85°C for disinfection)
Temperature Stability: ±1°C at recommended supply conditions
Water volume to fill: 240 L

PLUMBING :

1) PVC waste (Ø40mm) located as shown above should be positioned 50mm from the ground to ensure effective drainage. (tub in low position)
2 & 3) The hot and cold water feeds on to the bath should be 22mmØ push fit.
Two 22mmØ isolation valves should be installed as detailed in the diagram above to allow the water supply to be isolated during servicing.
Hot and cold feeds should protrude no more than 150mm out of the ground.

ELECTRICITY SUPPLY :

The electrical supply terminal box "PLEXO" IP*5, should be positioned at 300mm from the ground and at 600mm minimum from the bathtub.
A single phase cable of 3x2,5mm² protected by a differential circuit breaker 3A (curve D), with a differential current of 30mA or a circuit breaker 10A (curve D) with the whirlpool option. The Terminal box should be positioned as illustrated (11) the single phase power feed to the bath should be adequately protected by trunking at all times to avoid damage to the cable.

BATH INSTALLATION :

4) The chassis of the bath must be fixed to the ground. Use 4 "Rawl" types M10X60 Raul bolts for fixation to concrete floor surfaces or M10X60 Coach Screws for wooden floor surfaces. To do this:
- Locate the bath and remove the side and end panels to access the fixation points in the chassis located at the bottom of the hoist mast. See diagram
- Accurately mark and drill 4 holes Ø16mm and 70mm deep.
- Clean all dust and debris from the holes.
- Insert the rawl plugs in to the holes ensure that they are tapped in flush with the surface.
- Position the chassis over the four holes and screw down the rawl bolts TH M10-70 A2 (Torque down to: 40N/m) to secure the bath to the floor surface.
NB. TAKE CARE SOME FLOOR SURFACES MY BE AIRIATED OR SOFT.
Contact Reval Continuing Care for more detail on this type of installation!

