

Stella/160

Compact, elegant stand aid

Primary application

Home care
Nursing homes
Hospital

Ergolet Stella is a state-of-the-art stand aid of innovative Danish design, packed with excellent features.

We developed Stella to lift and move users who are partially weight bearing, but require assistance to be raised fully upright. In designing Stella we have endeavoured to imitate the body's natural rising movement, by first lifting the user forward and then up.

With its compact size and small turning radius, Stella is easy to manoeuvre for the carer. Stella's curved legs make it simple for accessing all types of chairs and an ideal choice when transferring clients from one sitting position to another.

The patented design of the sling hooks ensures safe and simple sling attachment, while the ergonomic handgrip gives carers the choice of multiple handgrip positions. The contoured knee support is comfortably padded and angle, height and depth adjustable.

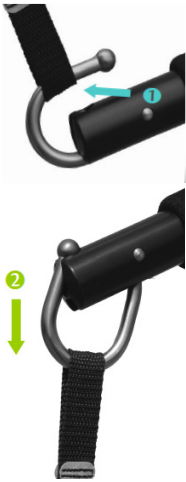
Key standard functions

Detachable footplate
Tiltable, padded knee support, height and depth adjustable
Electrical leg spreading as standard
Charging through the ergonomic hand control and wall/ table charger
Emergency lowering function on the lifting actuator

Accessories

Handgrips for lifting arm
External charger
Foam platform for footplate





Sling attachment:
a minimum of downward pressure
locks the sling hook; pull upwards
to unlock sling hook.



Integrated control box and battery
pack, with emergency stop button.



Maintenance free, smooth running
wheels. Braked rear wheels. One
rear wheel with directional lock.



Add on handles.

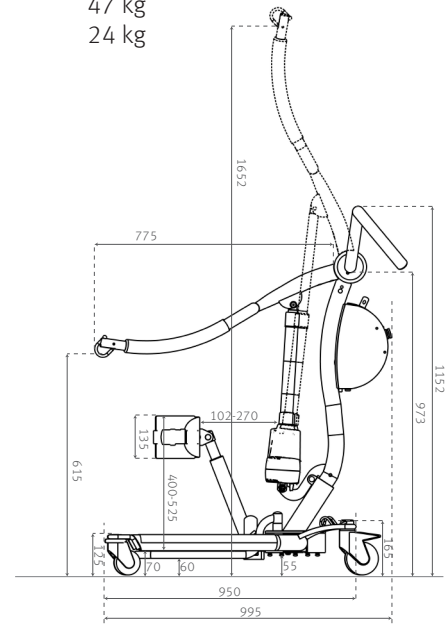
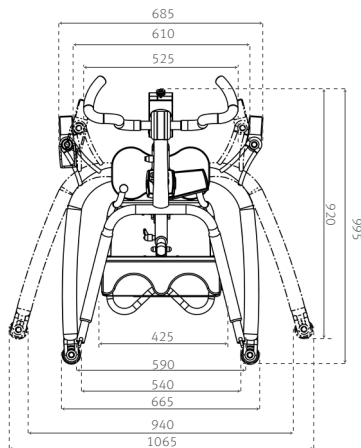
PRODUCT HIGHLIGHTS

- Charging through the ergonomic hand control using the wall/table charger.
- Electrical leg spreading.
- Detachable footplate. Cut away for easy toilet access.
- Height, depth and angle adjustable knee pad support.
- Mechanical emergency lowering.
- Compact. Small turning radius.
- Accessories include removable battery and charger for off board charging.

Version	Item-number
Stella 160 stand aid	011-01608
Accessories	
Add on handles for lifting arm	017-00010
External charging station with charger	017-00501
External charging station without charger	017-00500
Foam platform 5 cm	722-11100
Foam platform 10 cm	722-11099
Foot holders	017-01420

TECHNICAL SPECIFICATION

Max. load	160 kg
Lifting interval, min/max	615 / 1652 mm
Width external, base min/max	665 / 1065 mm
Width internal, base min/max	540 / 940 mm
Chassis height front/back	125 / 165 mm
Length of legs	950 mm
Lifting method	Electrical
Leg spreading method	Electrical
Emergency lowering	Manual
Emergency stop	Electrical
Material	Powder coated steel
Turning radius	1030 mm
Wheel diameter front/back	ø75 / ø100
Total weight	47 kg
Weight heaviest single part	24 kg



Consult the Technical manual for further specifications. All figures and measurements are for guidance only and may differ in actual situations. Ergolet reserves the right to changes without notice.

Product photos may include accessories. Consult your dealer.



date 06.01.2012 - ver. 4

Ergolet
The Courtyard
Wellington Road North
Stockport
Cheshire SK4 1HT
Tel: 0161 477 7900
Fax: 0161 480 7733
e-mail: info@ergolet.co.uk

www.ergolet.com

