



Tilt-in-space Hygiene Chair

5601.00

Soflex Shower Chair

Multifunctional comfort from one chair

The versatile **Soflex** is a height adjustable commode and shower chair that makes hygiene procedures safe and comfortable for both patients and caregivers. Its integrated tilt system assists posture management during patient transfers and its high-low function allows easy access for routines such as toileting, showering and hair washing.

The **Soflex** saves space because its multifunction capabilities mean one chair may be used instead of several and its comfortable padded backrest, armrests and adjustable footrests are easy to clean. The comfort grip handrail, lightweight frame and large easy roll castors make it light to manoeuvre ensuring smooth and efficient patient transfers.



Comfortable padded armrests



Tilt mechanism

Soflex Tilt-in-space Hygiene Chair

General

- ▶ Tubular frame, anti-corrosion coated
- ▶ Mechanical parts and hinges in stainless steel
- ▶ Commode pan optional
- ▶ Four castors Ø 125mm with brakes
- ▶ Steering handle
- ▶ Seat, backrest, armrests, head support and footrest in polyurethane
- ▶ Adjustment in height by hydraulic pump and pedal
- ▶ Reclining of the seat assisted by a gas jack

Performance

- ▶ Maximum patient weight: 135kg
- ▶ Weight of the chair: 35kg
- ▶ Minimal height of the seat: 50cm
- ▶ Lifting range: 55cm
- ▶ Slope of the seat: 37°

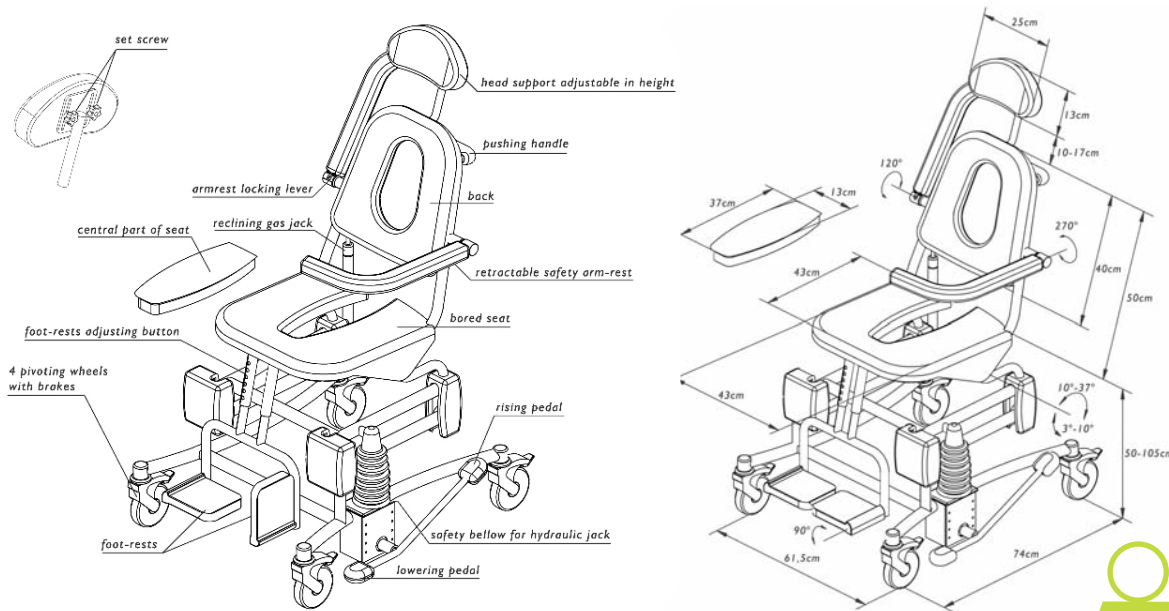
- ▶ Head support adjustable by: 7cm
- ▶ Footrest adjustable by: 8cm

Dimensions

- ▶ Footprint in low position: 61.5cm x 74cm
- ▶ Tilting angle of the seat during lifting function:
 - Lowest point: 3°
 - Highest point: 10°
- ▶ Tilting angle of the seat during reclining function: between 10° and 37°
- ▶ Turning angle: 100°

Conformity

- ▶ Soflex is a CE marked product and meets directive EC 93/42 June 14 1993



135kg
Maximum Safe Working Load

