

Hera/140

Tilt-in-space bathing & toileting chair

When designing Hera Ergolet set out to achieve a tilt-in-space bathing and toileting chair, characterised by modern clean lines, concealed cables, and excellent functionality. And we succeeded.

Hera's recline feature allows many carer functions to be more easily and comfortably carried out, e.g. in a bathing or toilet hygiene situation, or when transferring the user from a mobile or overhead lift into the chair.

Tilting Hera backwards or forwards, with or without weight in the chair, is simply performed by depressing the cable located below the rear push bar. Flip-up armrests facilitate easier sideways transfer in and out of the chair.

A unique feature of Hera is the simple height adjustment mechanism designed to accommodate users of different heights, and also to allow for placement over different size of toilets.

Hera is made of stainless materials to ensure long service life. The seat and armrests are made of soft polyurethane padding for increased user comfort. The seat is detachable, and is available with or without an open front aperture. The backrest is of soft synthetic mesh material with tension adjustable rear straps for optimal user comfort and positioning.

Height adjustable foot rests and high quality wheels with brakes are standard.

Product highlights

- Easy action tilting function, backwards or forwards.
- Clean lines, concealed cables.
- Optional seat with closed or open front.
- Height adjustable frame.
- Maintenance free, low friction castors, smooth rolling for easy manoeuvrability.
- Wide range of accessories.

Accessories

- Safety bar
- Side supports
- Neck support
- Height adjustable leg supports: right and left
- Etc.





Bucket



Height adjustable - 8 cm



Tilting angle:
30° backwards, 5° forwards



Optional seat with closed or open front



Hair wash tray, side supports and many other accessories available



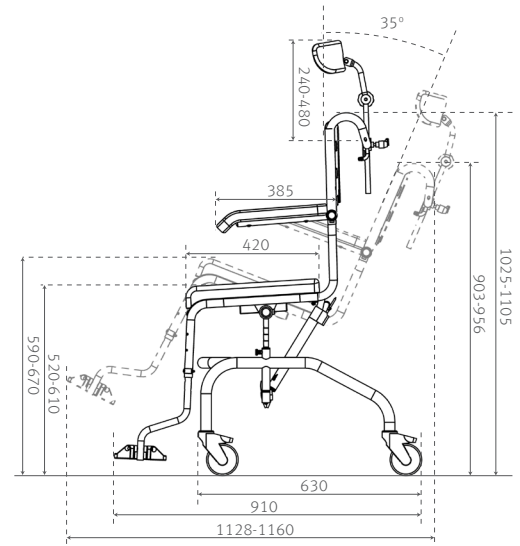
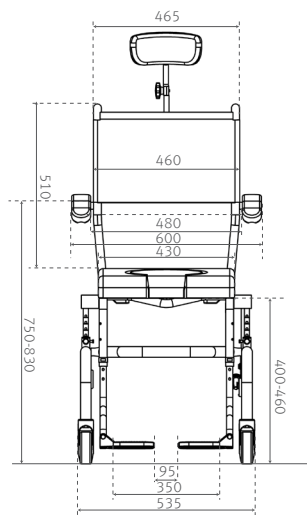
Hera positioned over toilet

Version	Item-number
Hera 140 Bathing & Toileting Chair	041-00255 (chassis)
Accessories	
Hair wash tray	047-00400
Seat with round hole	047-00250
Cover for seat with round hole	047-00260
Seat with open front	047-00255
Cover for seat with open front	047-00261
Neck support	047-00310
Foot rests standard	047-00030
Footrest with ankle support - right leg	047-00610
Footrest with ankle support - left leg	047-00611
Bucket	047-00900
Side supports*	047-00511
Back rest - black mesh	047-00203
Gel cushion	047-00550

* Hera must be equipped with back rest PU (047-00210) in order to use side supports.

TECHNICAL SPECIFICATION

Max. load	140kg
Distance between arm rests	480 mm
Seat depth	420 mm
Seat height internal	520-610 mm
Total width	600 mm
Total height	1025-1105 mm
Weight	22 kg
Angle of tilt	+5 to -30 degrees
Height adjustable	mechanical
Material chassis	stainless steel
Wheel diameter	ø100 mm
Low friction wheels, all 4 with brakes	



Consult the Technical manual for further specifications. All figures and measurements are for guidance only and may differ in actual situations. Ergolet reserves the right to changes without notice.

Product photos may include accessories. Consult your dealer.



date 10.07.2012 - ver. 7

Ergolet
Taarnborgvej 12C
4220 Korsoer
Denmark
tel. +45 70 27 37 20
e-mail: ergolet@ergolet.dk

www.ergolet.com

