



Crystal Shower Trolleys

A complete manual range to choose from

Manual Models

3700, 3800, 3800.20, 3801 & 3701

Crystal 3700 Manual Variable Height Trolley

The **Crystal 3700** is the first in our comprehensive range of shower and procedure trolleys. With a safe working load of 159kg it has an easy rise manual action for high-low adjustment, which ensures that caregivers can work safely and comfortably during the procedure.

Crystal 3800 Manual Tilt Fold Away Trolley

The **Crystal 3800** shower trolley has several key features all designed to enhance its functionality. It is equipped with easy rise high-low platform for optimum working height. The **3800's** mattress platform has head-up/foot-down adjustment, for comfort and quicker water evacuation. The platform can also be flipped vertically to save valuable bathroom space when not in use.

The **3800** has front and rear brake and castor control, allowing the brakes to be applied as pairs. The mattress system is equipped with splash sides and lockable fold-down side rails for added safety. With a safe working load of 159kg the **Crystal 3800** enables hygiene procedures to be carried out with ease.

Crystal 3800.20 Manual Junior Trolley

Specifically designed with juniors in mind, the **Crystal 3800.20** is the manual version of our paediatric high-low shower trolley with an overall mattress length of 160cm. It features a full-length padded mattress and pillow with splash sides and dual safe-lock side rails for added safety.

The **Crystal 3800.20** has a safe working load of 125kg, an angle-adjustable mattress platform to optimise caregiver posture and prevent back strain, as well as dual-lock braking and castor control for easy steering.

Crystal 3801 Manual Extra Long Trolley

At 200cm the **Crystal 3801** is an extra long manual version of our high-low shower trolley. The extended length is designed to accommodate the taller person and provide optimum comfort. The **Crystal 3801** features an angle-adjustable platform to minimise back strain and a dual brake and steering system for maximum safety and control.

With a safe working load of 125kg, the **Crystal 3801** features a full-length padded mattress and pillow with splash sides and dual-lock fold-down side rails for added security.

Crystal 3701 Manual Submergible Trolley

Specifically designed for use in wet rooms and hydrotherapy rehabilitation pools, the **Crystal 3701** Aqua trolley is a stainless steel version of our general-purpose shower trolley. Specifically designed to facilitate transfers into and out of a pool, it has an inbuilt flotation and pivot system, which allows the patient to float into the upright position when immersed.

With a safe working load of 159kg, the chassis has been designed to cope with chemical rich environments such as spas and swimming pool areas and its stainless steel frame is designed to minimise corrosion. The **Crystal 3701** features a full-length padded mattress and pillow with splash sides and dual safe-lock side rails.

Crystal Manual Shower Trolleys (3700.00 illustrated below)

Frame

- ▶ Steel frame, grey colour, anti-corrosion coated
- ▶ 4 wheels with brakes
- ▶ Hydraulic jack with bilateral foot control

Platform

- ▶ Platform in colourless polypropylene (unbreakable)
- ▶ Flip action platform for cleaning and storage
- ▶ Automatic incline variation
- ▶ Adjustor for slope
- ▶ Stainless steel side barriers with automatic safety closure
- ▶ Foot safety rail in stainless steel
- ▶ Head safety rail in stainless steel with adjustable length to 10cm

Mattress

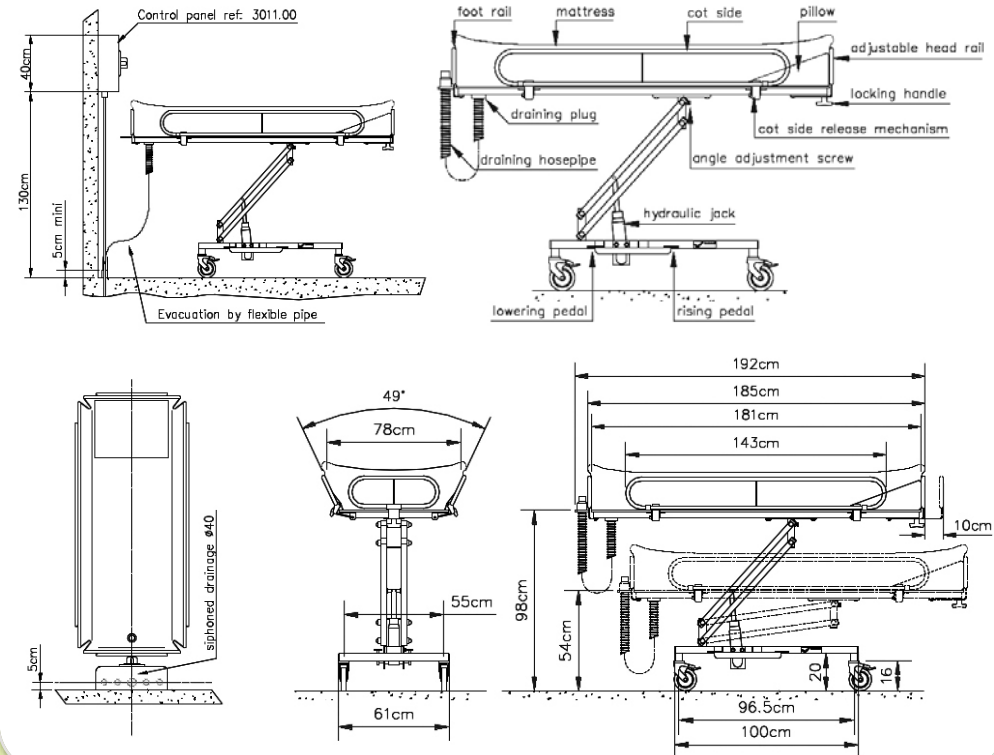
- ▶ Waterproof removable mattress, in soft PVC
- ▶ Central draining at the foot end
- ▶ Waste water flexible pipe Ø 40mm
- ▶ Triangular pillow

Performance

- ▶ Variable height (platform): 56 to 100 cm
- ▶ Load capacity: 160 kg

Weight

- ▶ 60kg
- ▶ 3 sizes available: 160cm, 190cm, 220cm



Foot pedals



Hydraulic jack