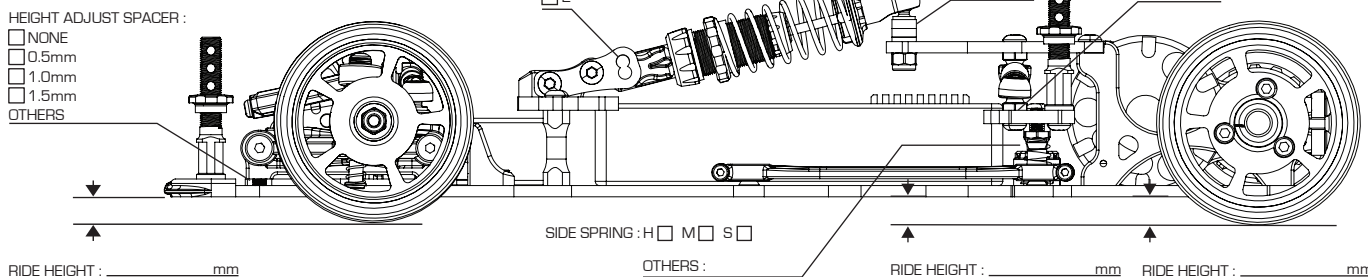
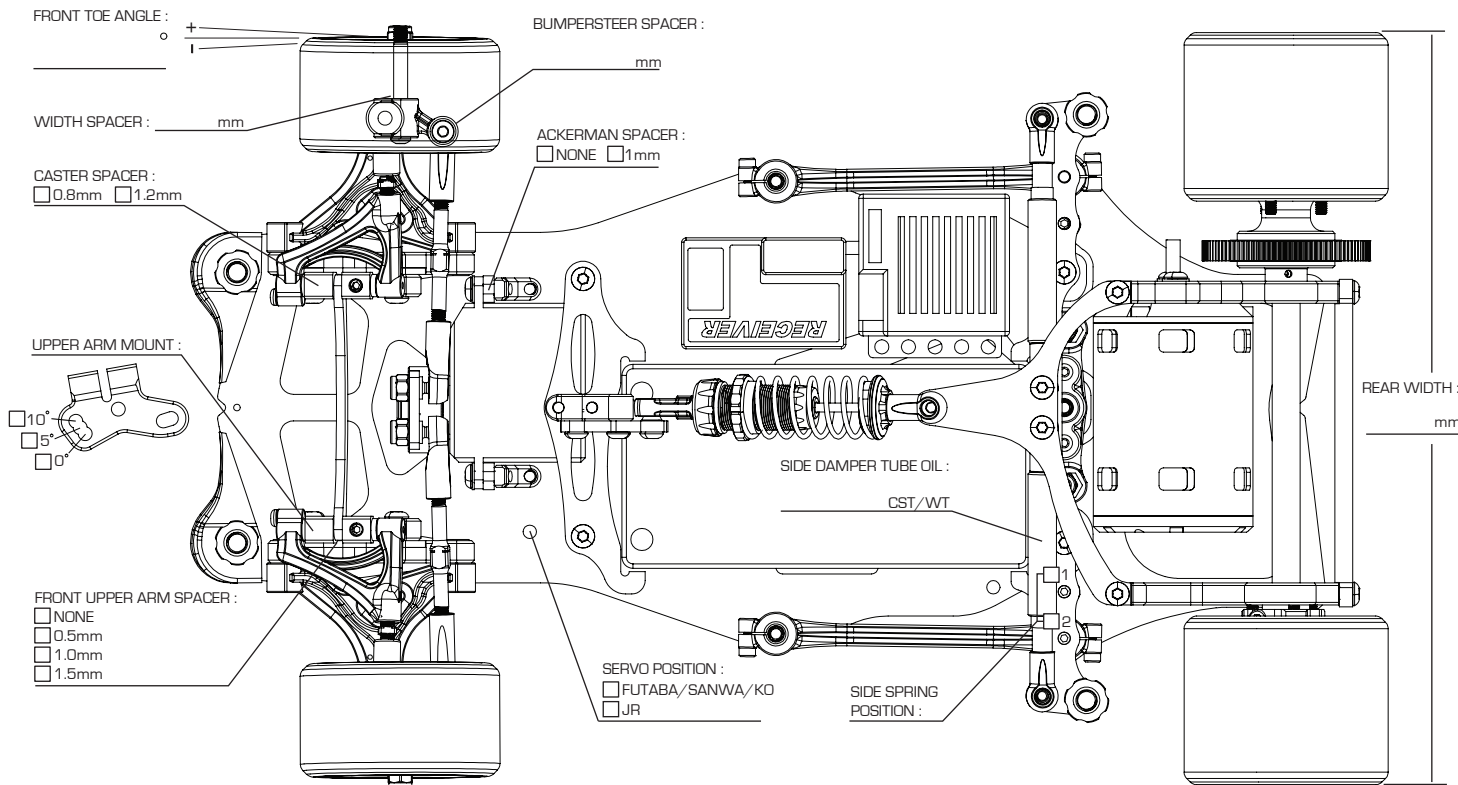


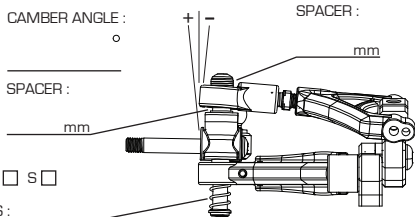
# LIGHTNING 12

1/12 SCALE ELECTRIC COMPETITION CAR KIT

## SETUP SHEET



### FRONT

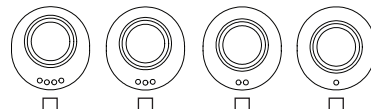


### TBX SHOCK



SHOCK LENGTH: \_\_\_\_\_ mm

### REAR AXLE

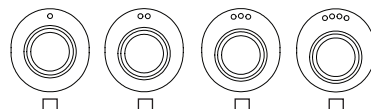


PISTON: 2  3  HOLE(S) / OTHERS \_\_\_\_\_

OIL: \_\_\_\_\_ CST/WT

SPRING: H  M  S  / OTHERS \_\_\_\_\_

REBOUND: \_\_\_\_\_ %



AXLE SHIMS: \_\_\_\_\_ mm

### FRONT TIRES

TIRE: \_\_\_\_\_

DIAMETER: \_\_\_\_\_ mm

WHEEL: \_\_\_\_\_

TIRE TREATMENT: \_\_\_\_\_

TREATMENT TIME: \_\_\_\_\_

SURFACE TREATED: \_\_\_\_\_

NOTES: \_\_\_\_\_

### REAR TIRES

TIRE: \_\_\_\_\_

DIAMETER: \_\_\_\_\_ mm

WHEEL: \_\_\_\_\_

TIRE TREATMENT: \_\_\_\_\_

TREATMENT TIME: \_\_\_\_\_

SURFACE TREATED: \_\_\_\_\_

NOTES: \_\_\_\_\_

MOTOR: \_\_\_\_\_ ROTOR: \_\_\_\_\_ TIMING: \_\_\_\_\_

SPUR: \_\_\_\_\_ PITCH/ T PINION: \_\_\_\_\_ PITCH/ T ROLLOUT: \_\_\_\_\_

ESC: \_\_\_\_\_ SETUP: \_\_\_\_\_ BATTERY: \_\_\_\_\_

STEERING EXPO: \_\_\_\_\_ BRAKE E.P.: \_\_\_\_\_ THROTTLE EXPO: \_\_\_\_\_

BODY: \_\_\_\_\_ WEIGHT: \_\_\_\_\_

REMARKS: \_\_\_\_\_