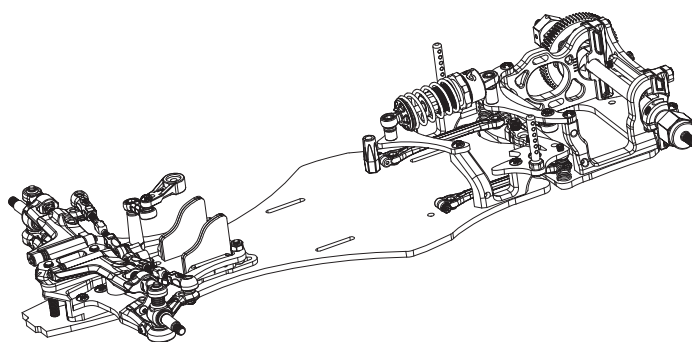


COMPETITION GRADE HIGH PERFORMANCE RADIO CONTROL RACING CAR CHASSIS KIT

FLASH-104

1/10 ELECTRIC COMPETITION FORMULA CAR KIT



INSTRUCTIONS MANUAL

vbc racing



Thank you for purchasing VBC Racing product.

Things that we should remind you.

This VBC Racing kit is a high performance, racing grade car kit intended for experienced racers. The kit compose of VBC formulated composite materials, top quality full carbon fiber chassis and high grade 7075 material which will give you a competitive edge over the others.

Novice racer should seek advice from more experienced racer before assembly.

Always keep this instruction manual handy at all times for quick reference even after completing the assembly.

Before your assembly, sand the chassis edges.

Sand the chassis edges with #600 sand paper and apply CA glue to the edges and counter sink holes.

Need help or support.

If you need help or you would like to leave us a comment, please email to our support team: support@vbc-racing.com or visit our web site www.vbcrc.com



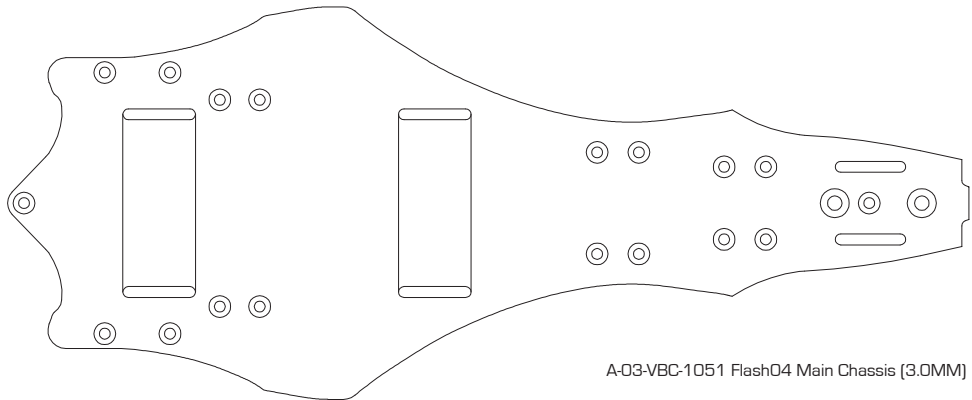
1

Graphite Edges Protection Procedure



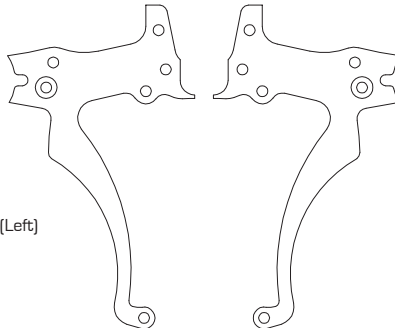
*Not included in this kit

Sand the chassis edges with #600 sand paper(not included) and apply CA glue(not included) to the edges of the chassis.



A-03-VBC-1051 Flash04 Main Chassis (3.0MM)

Sand the below graphite edges with #600 sand paper and apply CA glue to the edges.





A-03-VBC-1057 Flash04 Front Lower arm (Left)

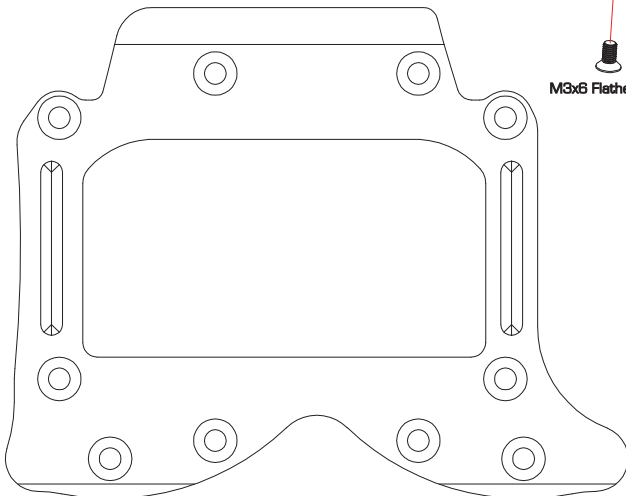
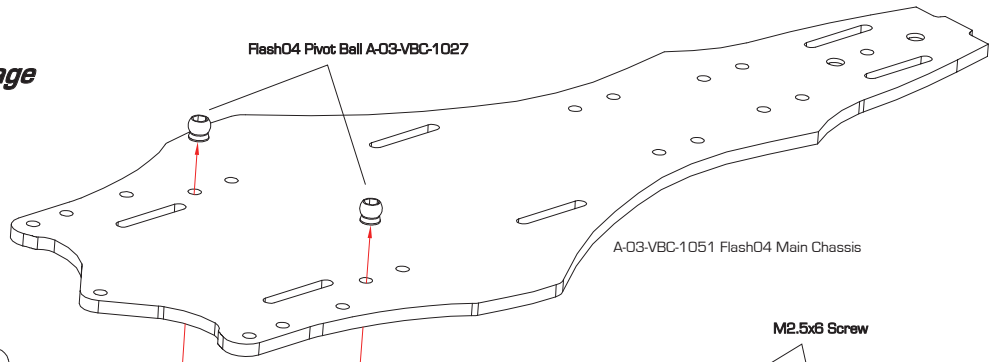
A-03-VBC-1058 Flash04 Front Lower arm (Right)

2



Main Chassis - Bottom Plate Linkage

Install Pivot Balls onto the Main Chassis

-  Flash04 Pivot Ball A-03-VBC-1027 x 5
-  M3x6 Flathead Screw C-02-SC-F0306 x 5



Flash04 Motor Mount Bottom Plate (7075) A-03-VBC-1056 x 1

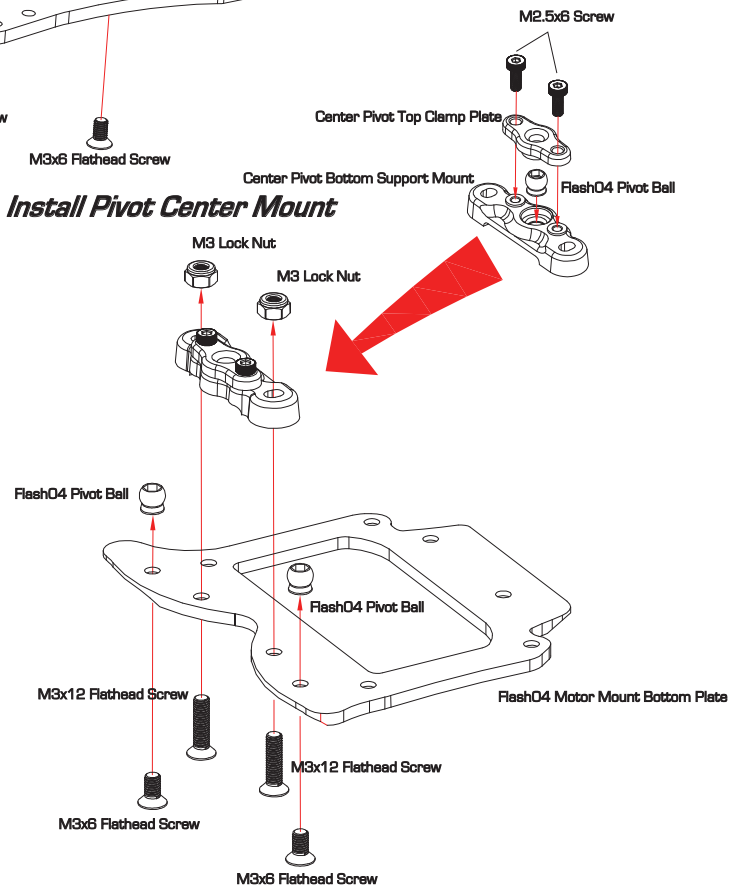
-  M3x12 Flathead Screw C-02-SC-F0312 x 2
-  M2.5x6 Flathead Screw C-02-SC-R2506 x 2

-  M3 Lock Nut C-02-SC-NN03 x 2

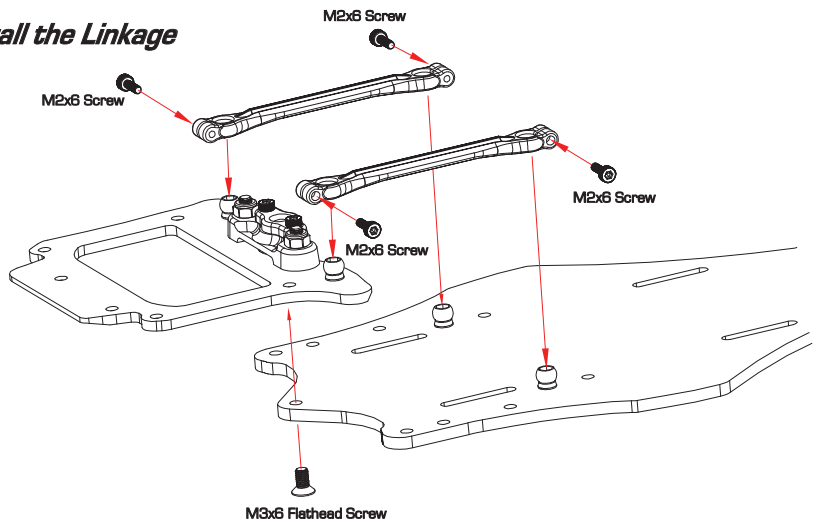


-  M2x6 Screw C-02-SC-R2.0x6 x 4

Install Pivot Center Mount

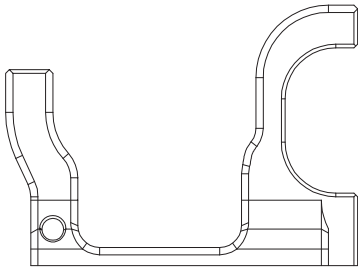


Install the Linkage

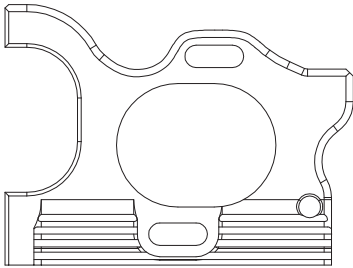


3

Rear Pod Assembly



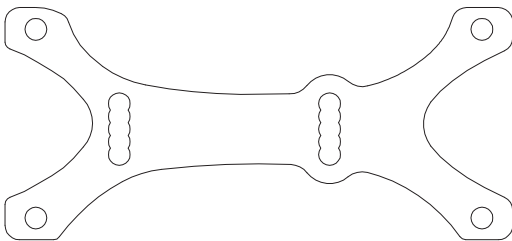
Rear Axle Left Bulkhead A-03-VBC-1001 x 1



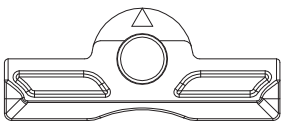
Flash04 Motor Mount A-03-VBC-1002 x 1



M3x6 Flathead Screw C-02-SC-F0306 x 4



Flash04 Rear Wing Plate A-03-VBC-1055 x 1



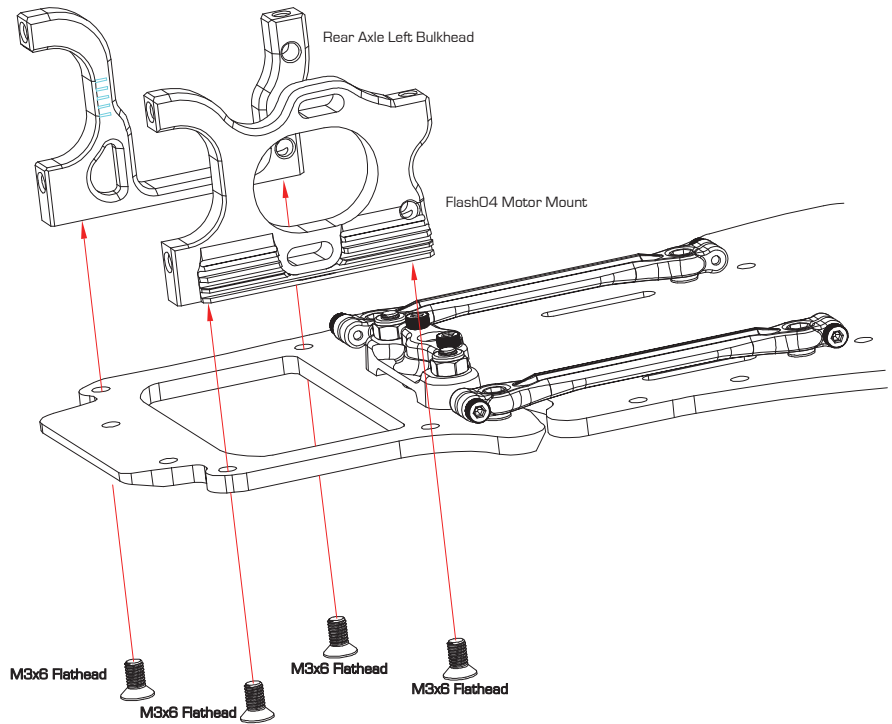
Rear Axle Height Adjustable Mount A-03-VBC-1030 x 2



10x6mm Flanged Ball Bearing C-02-BB-1006-FB x 2

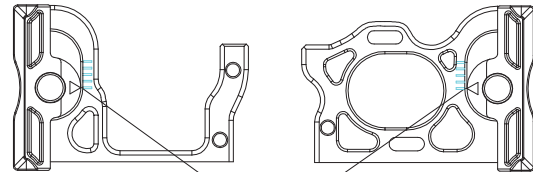


M3x12 Roundhead Screw C-02-SC-R-0312 x 4

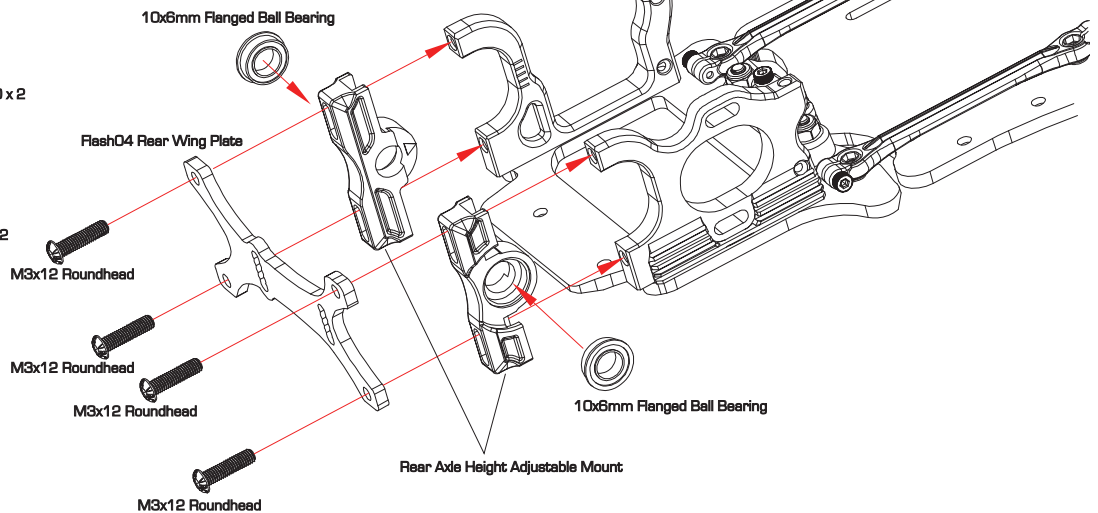


Assembling the Rear Axle Adjust Mounts

Caution

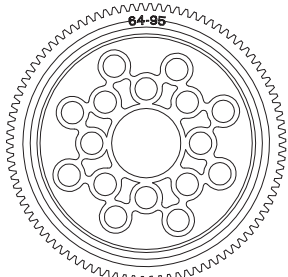


Please note the Arrow on the Rear Axle Height Adjuster Mount MUST be pointed to the same marking between the left bulkhead and the motor mount when adjusting the rear axle height. The car may not run straight if these markings are not in the same position. Reference: F104 type rubber tyres should set at the lowest position.



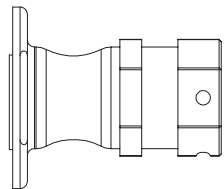
4

Rear Differential Assembly

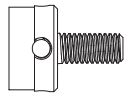


64Pitch 95T Spur Gear A-03-VBC-1046 x 1

Flash04 Ceramic Diff Balls C-02-DB-0801 x 8



Flash04 Right Wheel Hub A-03-VBC-1017 x 1



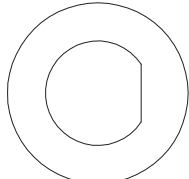
Right Wheel Hub Outer Wheel Nut Shaft A-03-VBC-1018 x 1



10x6mm Ball Bearing C-02-BB-1006-B x 2



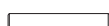
Thrust Bearing Set A-03-VBC-1065 x 1



Flash04 Diff D Ring B-02-VBC-1001 x 2



Beveled Spring Washer A-03-VBC-1066 x 2



M2x14 Shaft Pin A-03-VBC-1049 x 1



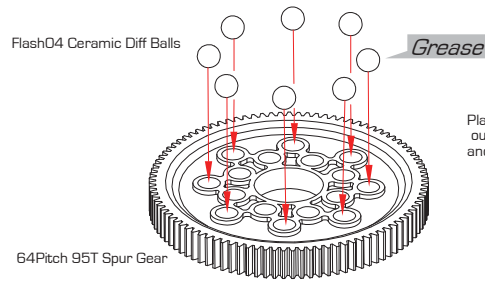
Spur/Axle Fitting Ring A-03-VBC-1044 x 1



M3x3 Set Screw C-02-SC-SS-0303 x 1



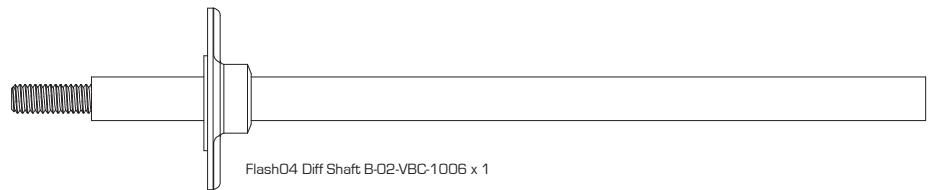
M4 Aluminum Lock Nut A-03-VBC-1024 x 1



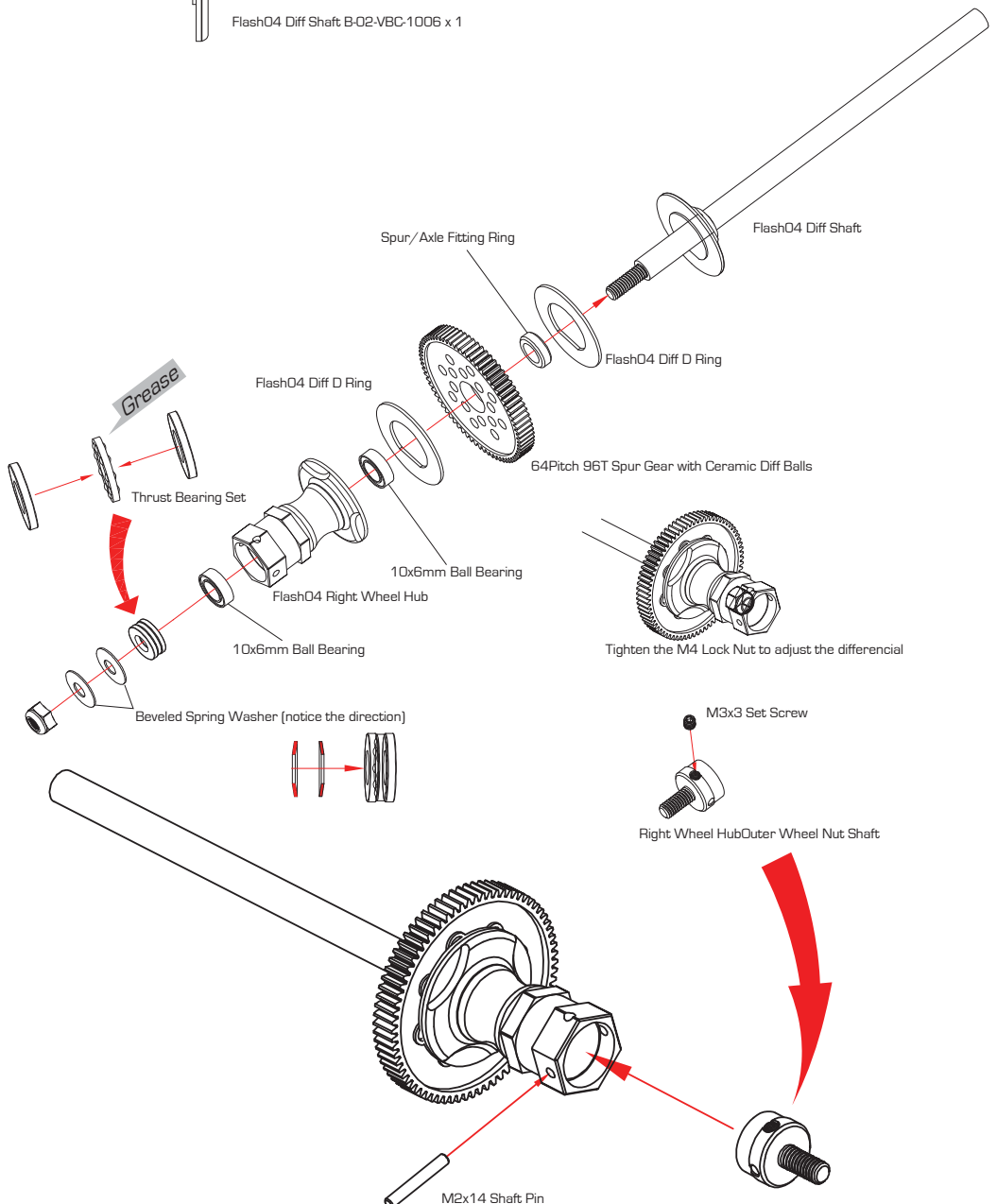
Flash04 Ceramic Diff Balls

Grease

Place 8 Ceramic Balls into the Spur Gear outer holes. Lightly grease the diff balls and make sure the balls are free to move



Flash04 Diff Shaft B-02-VBC-1006 x 1



Tighten the M4 Lock Nut to adjust the differential

5

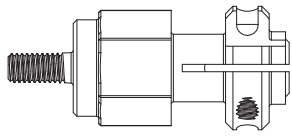
Rear Differential Assembly Continue



M3x6 Roundhead Screw C-02-SC-R0306 x 2



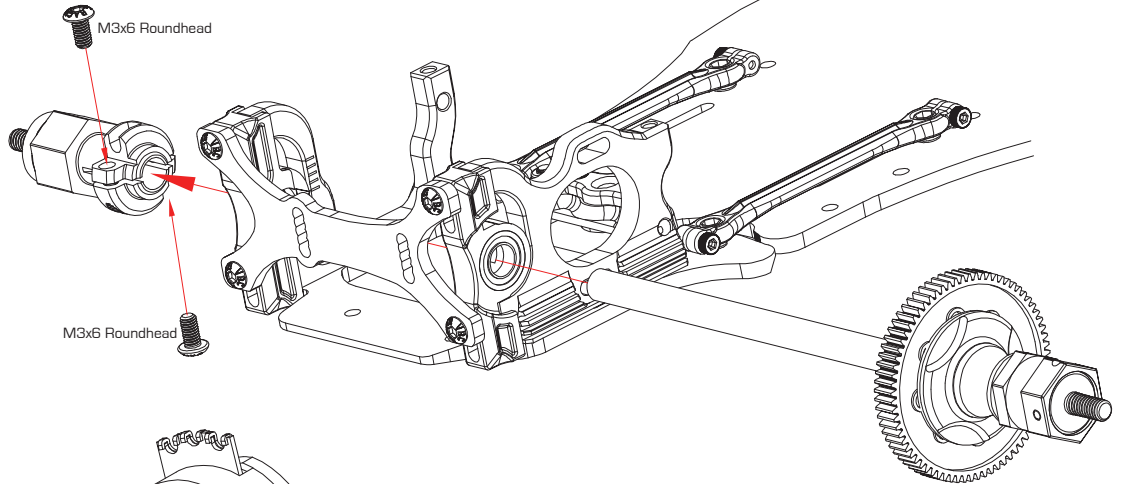
M3x8 Roundhead Screw C-02-SC-R0308 x 2



Left Wheel Hub A-03-VBC-1020 x 1

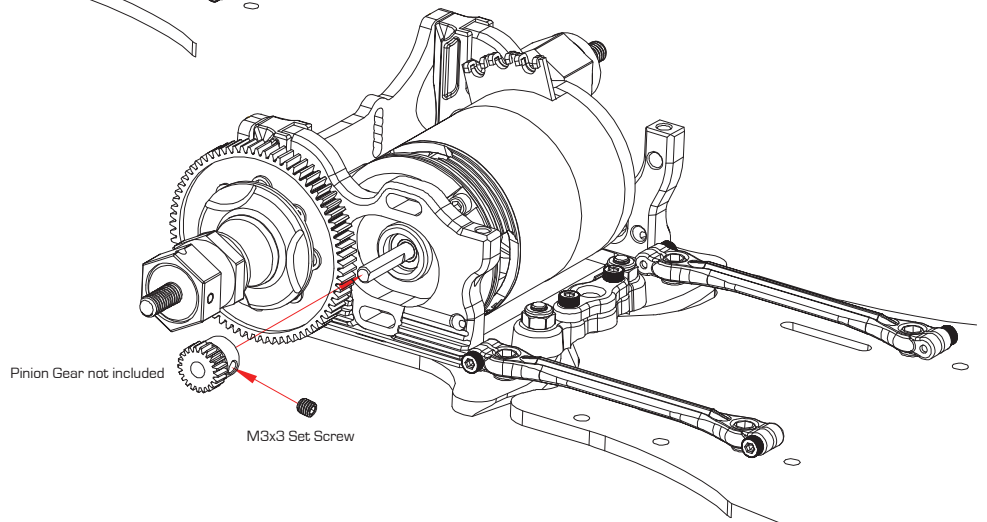
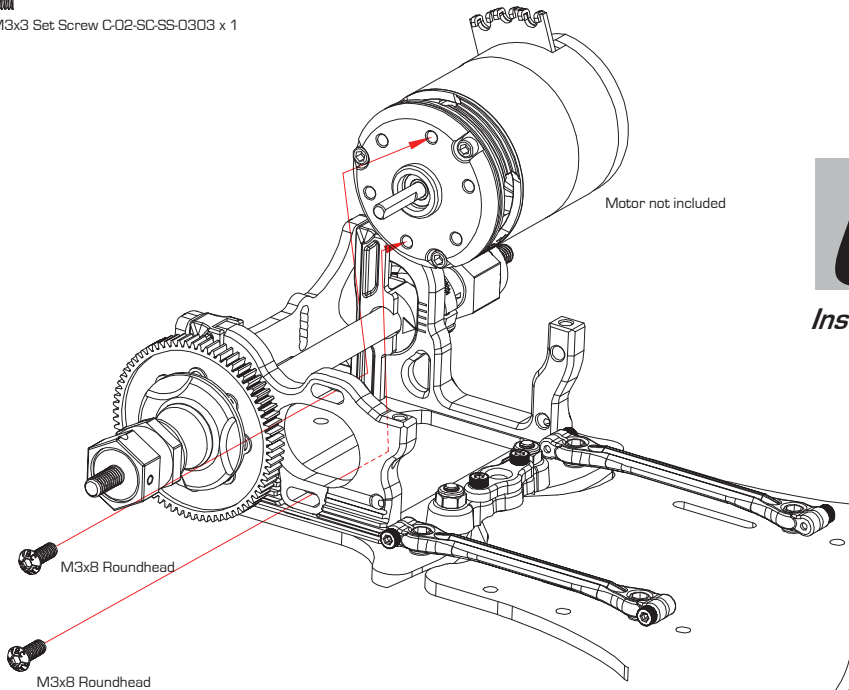


M3x3 Set Screw C-02-SC-SS-0303 x 1



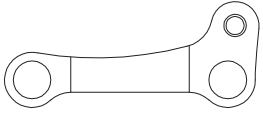
6

Installing Motor and Pinion Gear

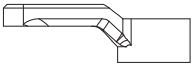


7

Steering System Assembly



Steering Travel Plate A-03-VBC-1010 x 1



Steering Arm A-03-VBC-1008 x 2



Ball Connector B-02-VBC-0045 x 3



M3x32mm Turnbuckle B-02-VBC-0036 x 2



16mm Servo Mount Support A-03-VBC-1067 x 1



5x8 Ball Bearing C-02-BB-0805-B x 4



3x6 Ball Bearing C-02-BB-0603 x 2



Steering Cone Washer B-02-VBC-0089 x 2



M3x6 Roundhead C-02-SC-R0306 x 2



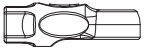
M3x6 Set Screw C-02-SC-SS-0306 x 4



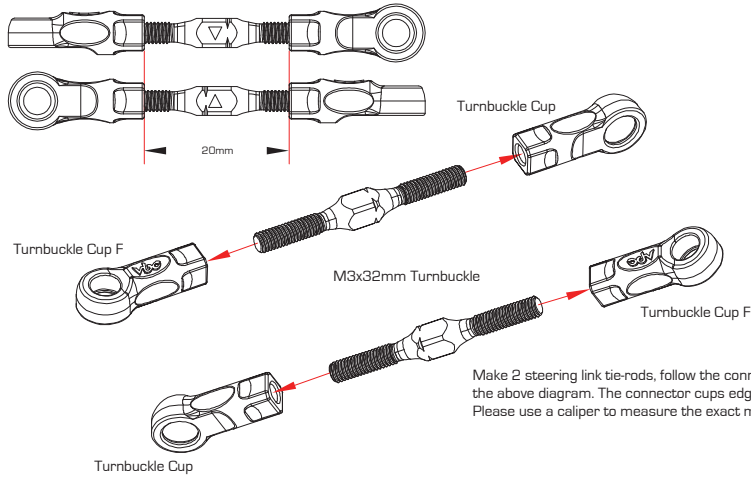
M3x8 Set Screw C-02-SC-SS-0308 x 4



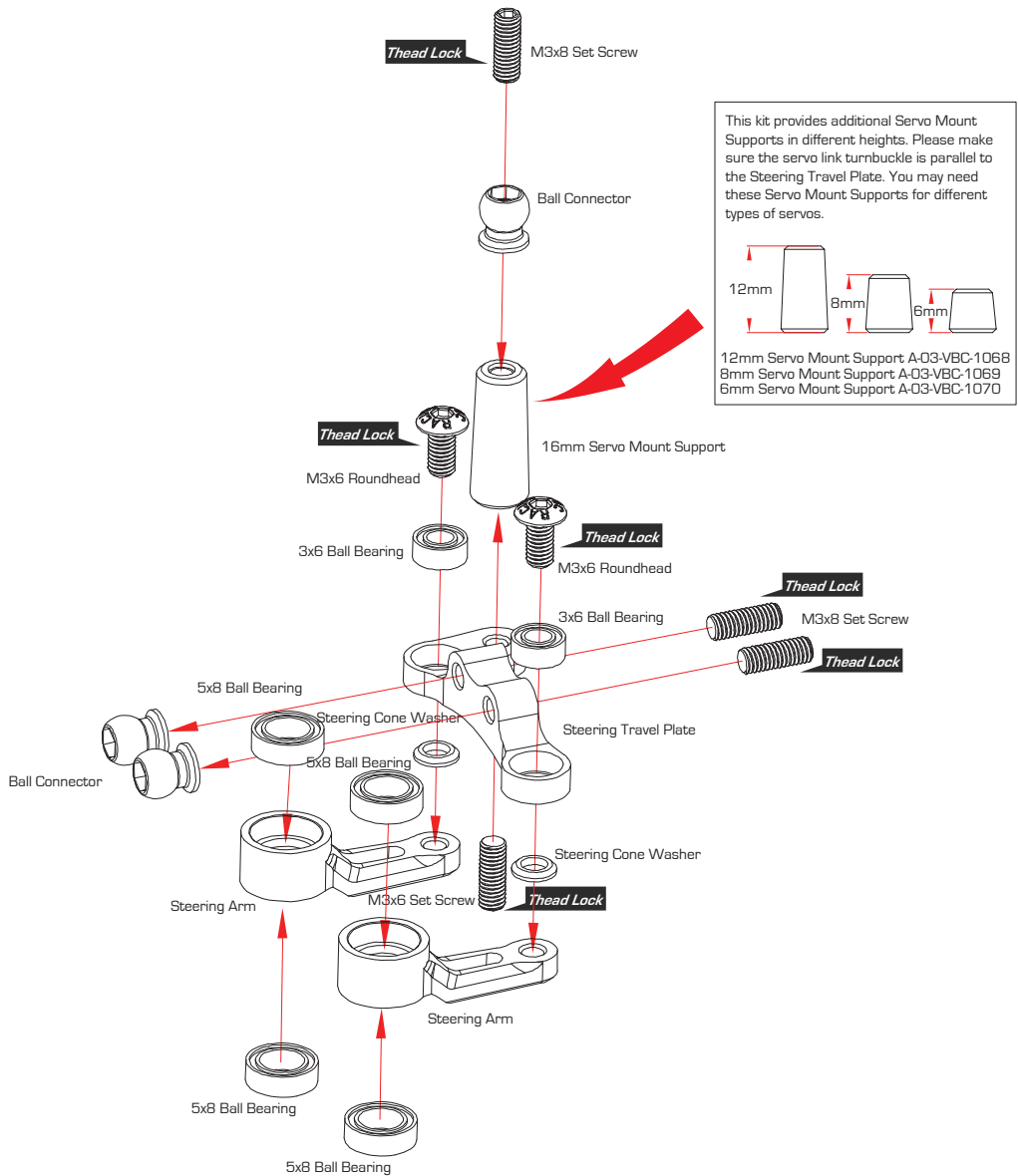
Turnbuckle Cup A-03-VBC-0039 x 2



Turnbuckle Cup S A-03-VBC-0056 x 2



Make 2 steering link tie-rods, follow the connector cups directions as the above diagram. The connector cups edge to edge shall be 20mm. Please use a calliper to measure the exact measurement.



This kit provides additional Servo Mount Supports in different heights. Please make sure the servo link turnbuckle is parallel to the Steering Travel Plate. You may need these Servo Mount Supports for different types of servos.

12mm Servo Mount Support A-03-VBC-1068
 8mm Servo Mount Support A-03-VBC-1069
 6mm Servo Mount Support A-03-VBC-1070

8

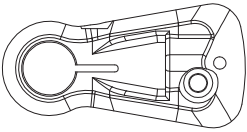
Front Lower Arm Assembly



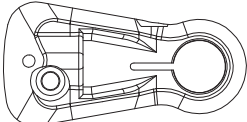
Steering Arm Nearing Pole A-03-VBC-1009 x 2



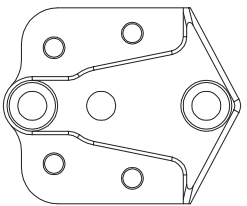
Front Lower Arm Pivot Ball A-03-VBC-1022 x 2



Front Lower Arm Pivot Ball Mount (Left) A-03-VBC-1039 x 1



Front Lower Arm Pivot Ball Mount (Right) A-03-VBC-1040 x 1



Lower Arm support A-03-VBC-1033 x 1



T0.5 7075 Spacer B-02-VBC-0019-05 x 2



M3x8 Flathead Screw C-02-SC-F0308 x 2



M3x8 Roundhead Screw C-02-SC-R0308 x 4



M3x5 Roundhead Screw C-02-SC-R0305 x 2



M3x4 Roundhead Screw C-02-SC-R0304 x 2



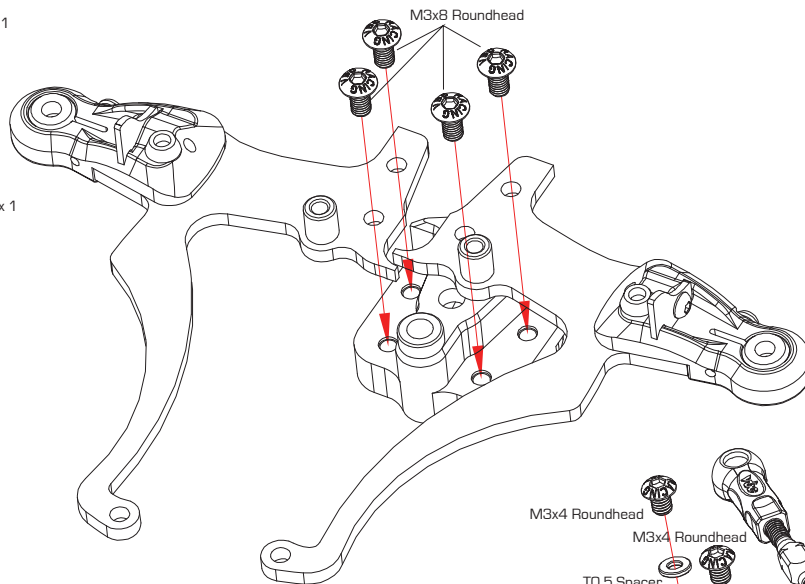
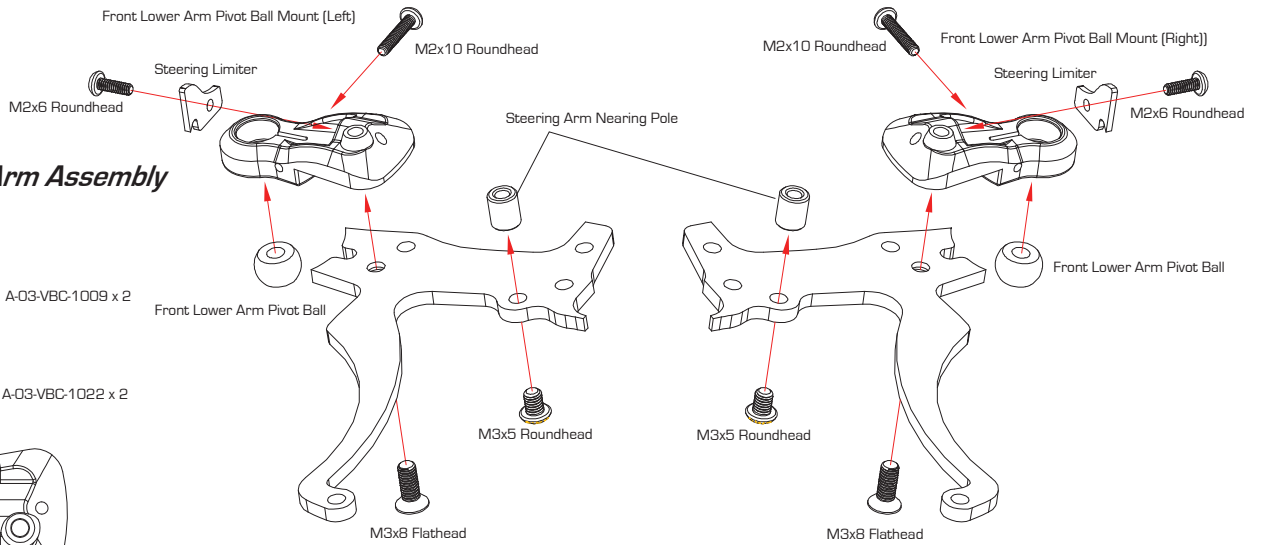
M2x10 Roundhead Screw C-02-SC-R0210 x 2



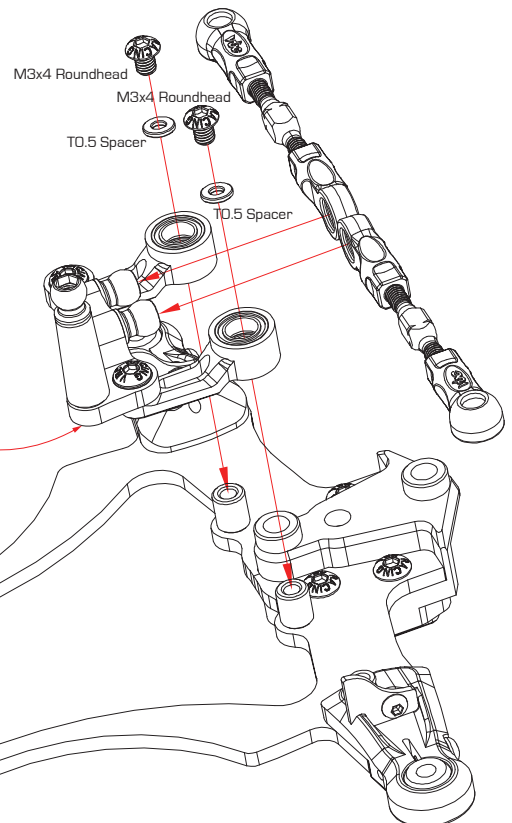
M2x6 Roundhead Screw C-02-SC-R0206 x 2



Flash04 Steering Limiter A-03-VBC-1062 x 2



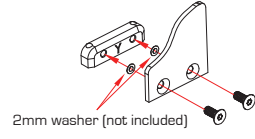
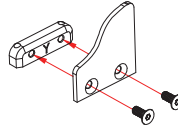
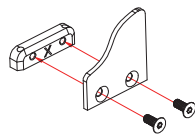
Make sure the bottom setscrew is recessed in the Steering Travel Plate.



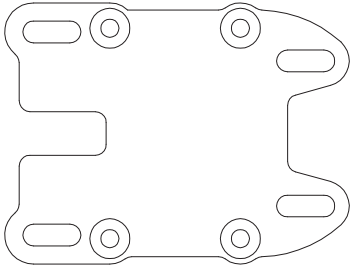
9

Adjustable Servo Mount Assembly

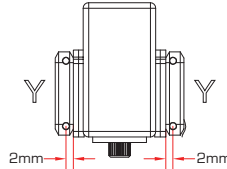
The Servo Clamp Plate width is adjustable by rotating the Servo Support Mount. Please adjust the width based on your mounting servo width. Please make sure the marking of the same letter are both facing outside.



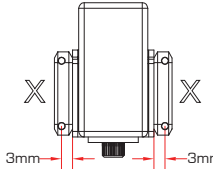
2mm washer (not included)



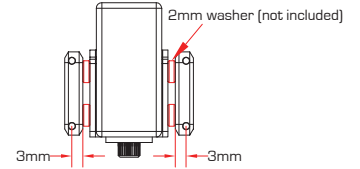
Flash04 Adjustable Servo Plate A-03-VBC-1061 x 1



With both markings 'Y' facing outside. The inner width is 20-21mm

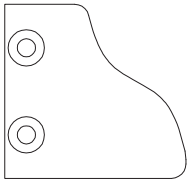


With both markings 'X' facing outside. The inner width is 19mm

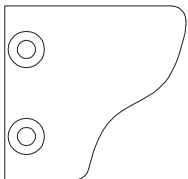


With both markings 'X' facing outside. Insert 2mm washer not included between the Servo Clamp Plate & Servo Support Mount, the inner width will be 15mm.

Horizontal Servo Layout for Dual Crank Steering System



Flash04 Servo Clamp Plate Right A-03-VBC-1059 x 1



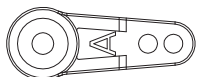
Flash04 Servo Clamp Plate Left A-03-VBC-1060 x 1



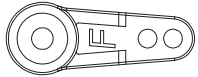
Servo Support Mount A-03-VBC-1011 x 2



Ball Connector B-02-VBC-0045 x 1



Servo Horn 'A' A-03-VBC-1041 x 1



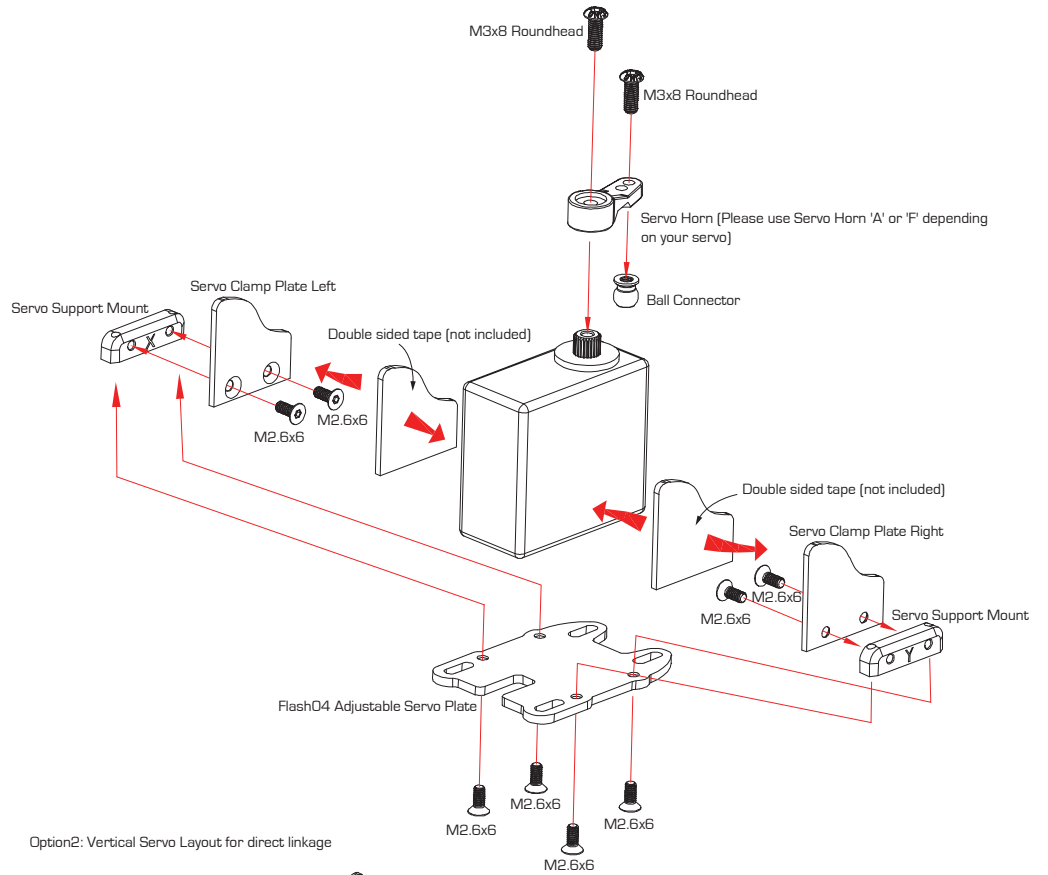
Servo Horn 'F' A-03-VBC-1042 x 1



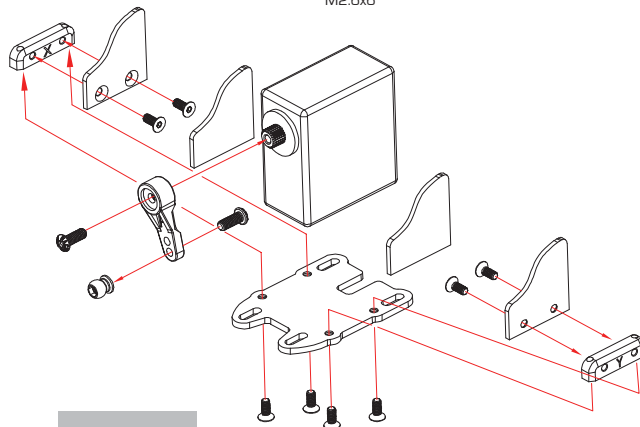
M3x8 Roundhead Screw C-02-SC-R0308 x 2



M2.6x6 Flathead Screw C-02-SC-R2606 x 8



Option2: Vertical Servo Layout for direct linkage

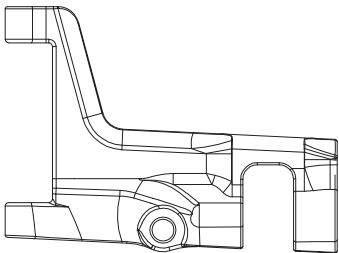


10

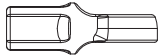
Installing the Servo Mount

 M3x8 Flathead Screw C-02-SC-F0308 x 2

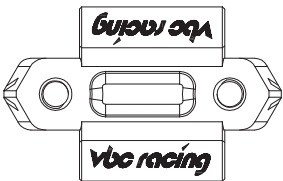
 M3 Lock Nut C-02-SC-NN03 x 1



Flash04 Upper Arm A-03-VBC-1035 x 2



Flash04 Upper Arm Outer Cup A-03-VBC-1031 x 2




Front Upper Arm Mount A-03-VBC-1007 x 1

 King Pin Upper Ball A-03-VBC-1023 x 2

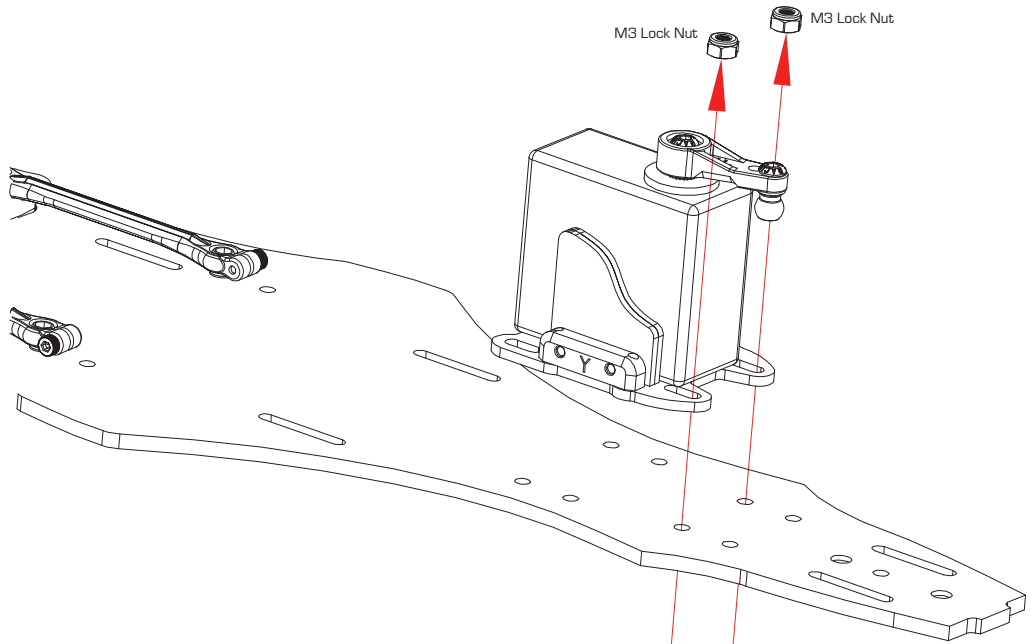
 Flash04 Front Arm Spacer T1 A-03-VBC-1021 x 4

 Front Camber Link Turnbuckle A-03-VBC-1025 x 2

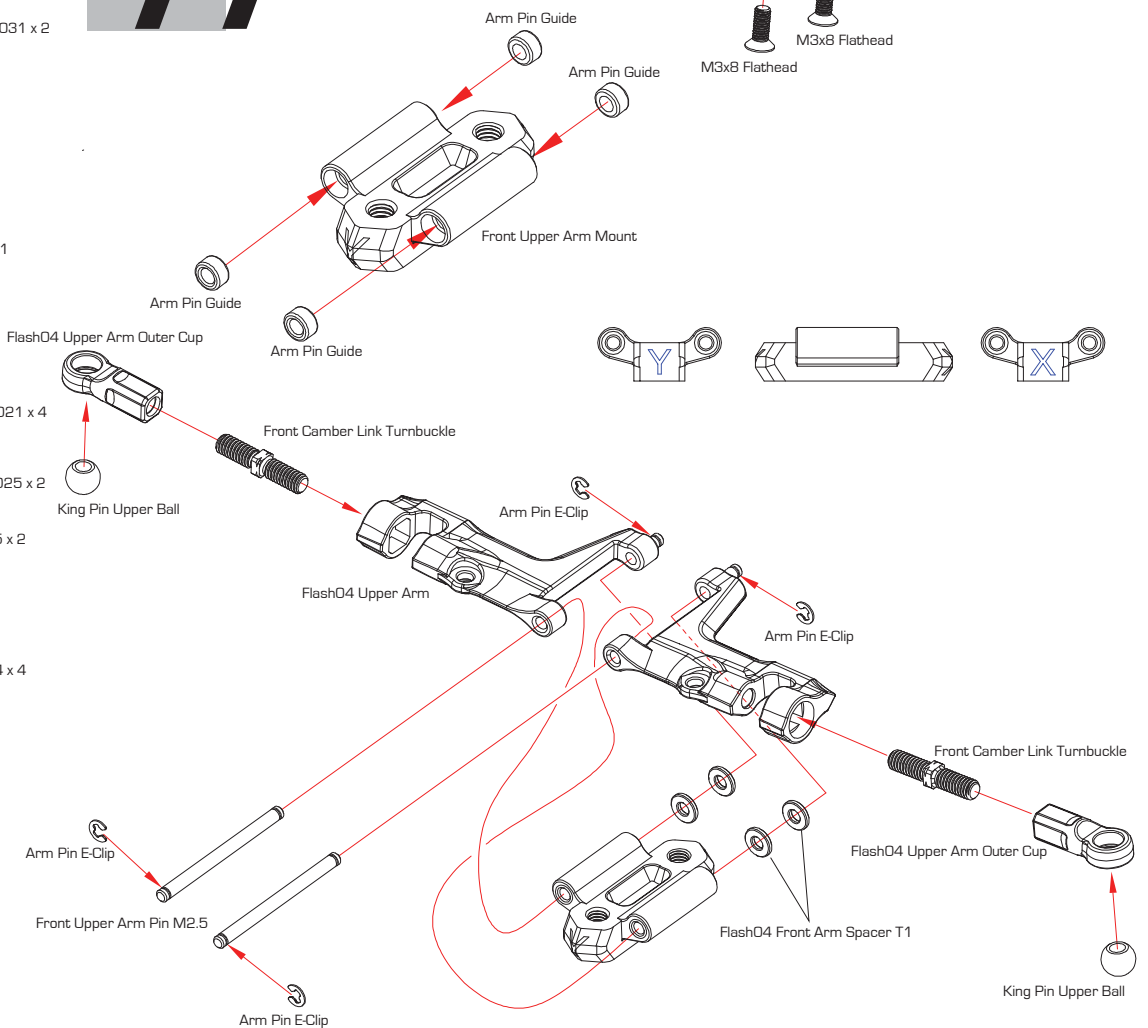
 Front Upper Arm Pin M2.5 B-02-VBC-1005 x 2

 Flash04 Arm Pin E-Clip A-03-VBC-1064 x 4

 Front Upper Arm Pin Guide A-03-VBC-1074 x 4

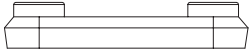


11



12

Install Front End



Front Upper Arm Spacer A-03-VBC-1073 x 1



Front Lower Arm Spacer A-03-VBC-1026 x 2



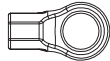
M4 7075 Flathead Screw B-02-VBC-1075 x 2



M3x16 Flathead Screw C-02-SC-F-0316 x 2



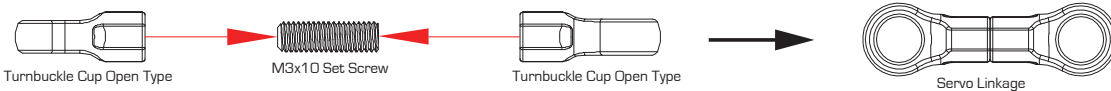
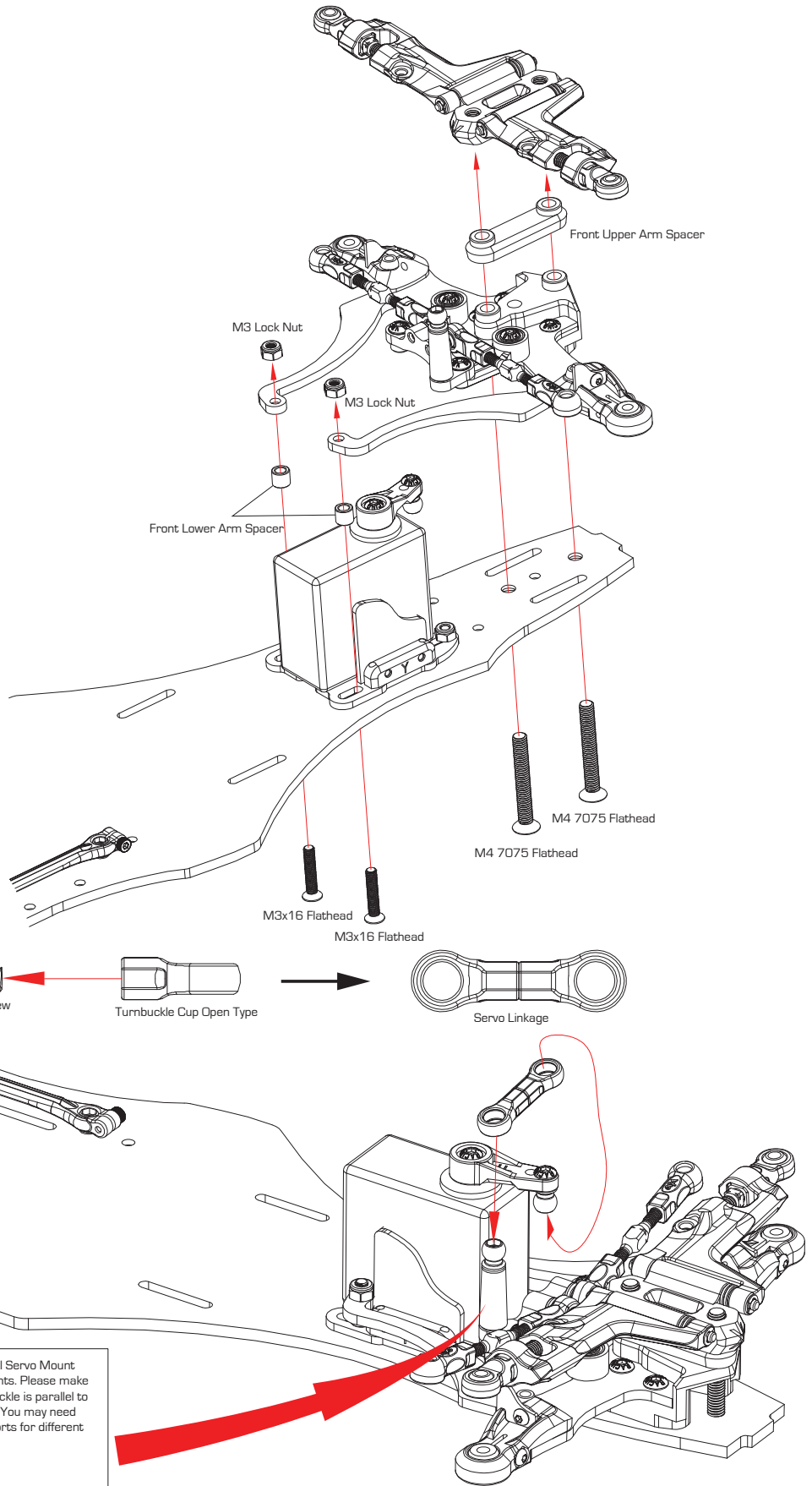
M3 Lock Nut C-02-SC-NN03 x 2



Turnbuckle Cup Open Type L A-03-VBC-0041 x 2



M3x10 Set Screw C-02-SC-SS-0310 x 2

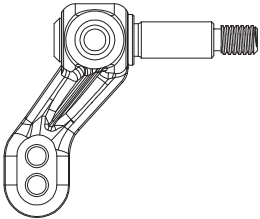


This kit provides additional Servo Mount Supports in different heights. Please make sure the servo link turnbuckle is parallel to the Steering Travel Plate. You may need these Servo Mount Supports for different types of servos.

12mm Servo Mount Support A-03-VBC-1068
 8mm Servo Mount Support A-03-VBC-1069
 6mm Servo Mount Support A-03-VBC-1070

13

Steering Assembly



Flash04 Steering Block A-03-VBC-1038 x 2



Suspension Arm Spacer T2 Composite A-03-VBC-0052 x 4



Suspension Arm Spacer T1 Composite A-03-VBC-0051 x 4



Ball Connector B-02-VBC-0045 x 2



Flash04 King Pin B-02-VBC-1004 x 2



M3 E-Clip B-02-VBC-0044 x 4



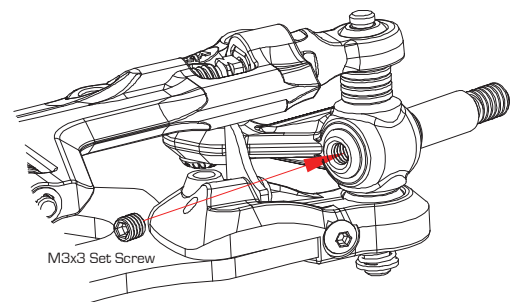
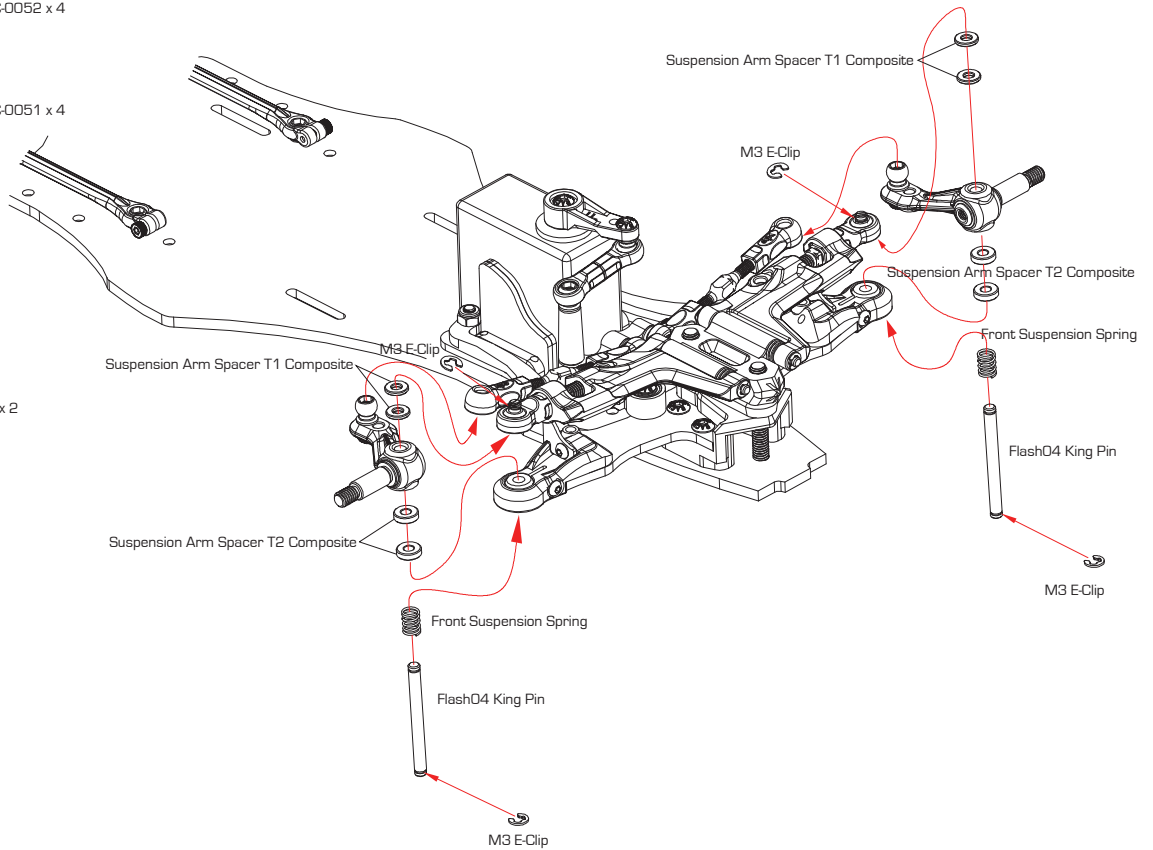
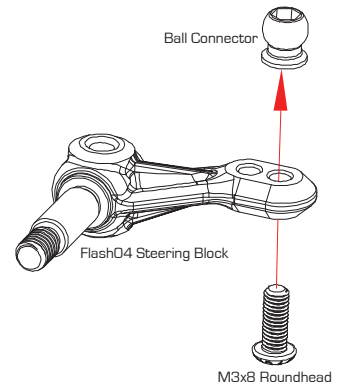
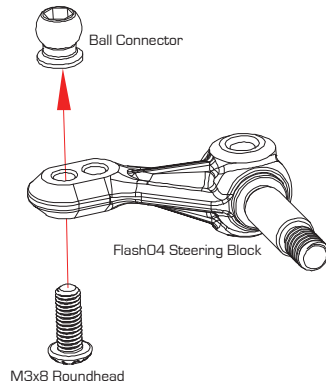
Front Suspension Spring (Black) A-03-VBC-1048 x 2



M3x8 Roundhead Screw C-02-SC-R0308 x 2



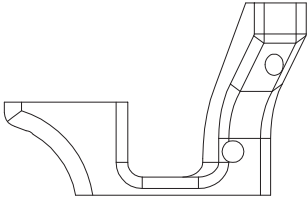
M3x3 Set Screw C-02-SC-SS-0303 x 2



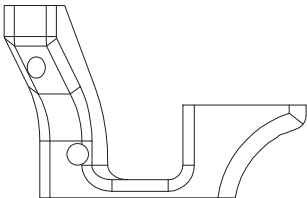
Tighten left and right steering knuckle set screws

14

Upper Deck Assembly



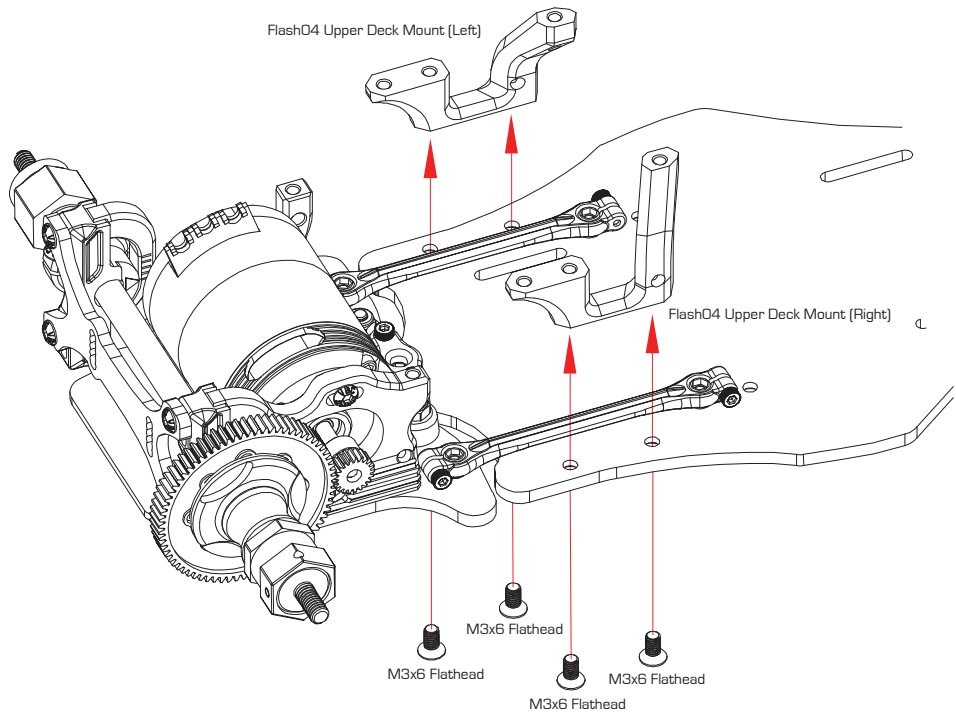
Flash04 Upper Deck Mount (Left) A-03-VBC-1003 x 1



Flash04 Upper Deck Mount (Right) A-03-VBC-1004 x 1

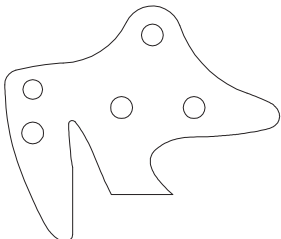


M3x6 Flathead Screw C-02-SC-F0306 x 4



15

Side Damper Mount Assembly



Flash04 Side Damper Outer Mount A-03-VBC-1054 x 2



Flash04 7075 Body Post A-03-VBC-1012 x 2



Side Spring Adjuster A-03-VBC-1028 x 2



Ball Connector B-02-VBC-0045 x 1



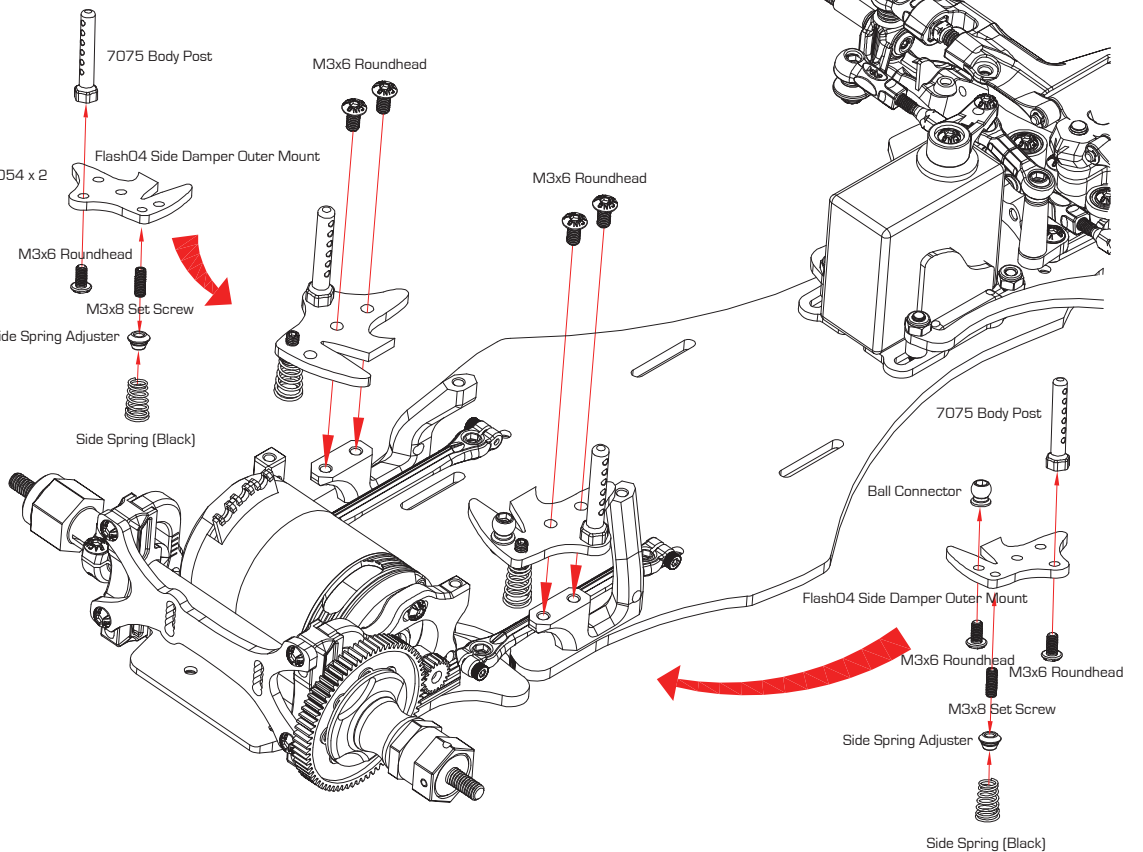
M3x6 Roundhead Screw C-02-SC-R0306 x 7



M3x8 Set Screw C-02-SC-R0308 x 2

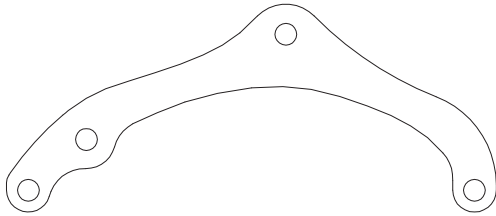


Side Spring (Black) A-03-VBC-1047 x 2

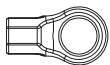


16

Side Damper Assembly



Flash04 Rear Suspension Support A-03-VBC-1053 x 1



Turnbuckle Cup Open Type L A-03-VBC-0041 x 2



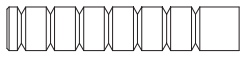
Ball Connector B-02-VBC-0045 x 2



Center Shock Height Pole (Rear) A-03-VBC-1014 x 1



Side Damper Tube A-03-VBC-1005 x 1



Side Damper Piston Rod A-03-VBC-1006 x 1



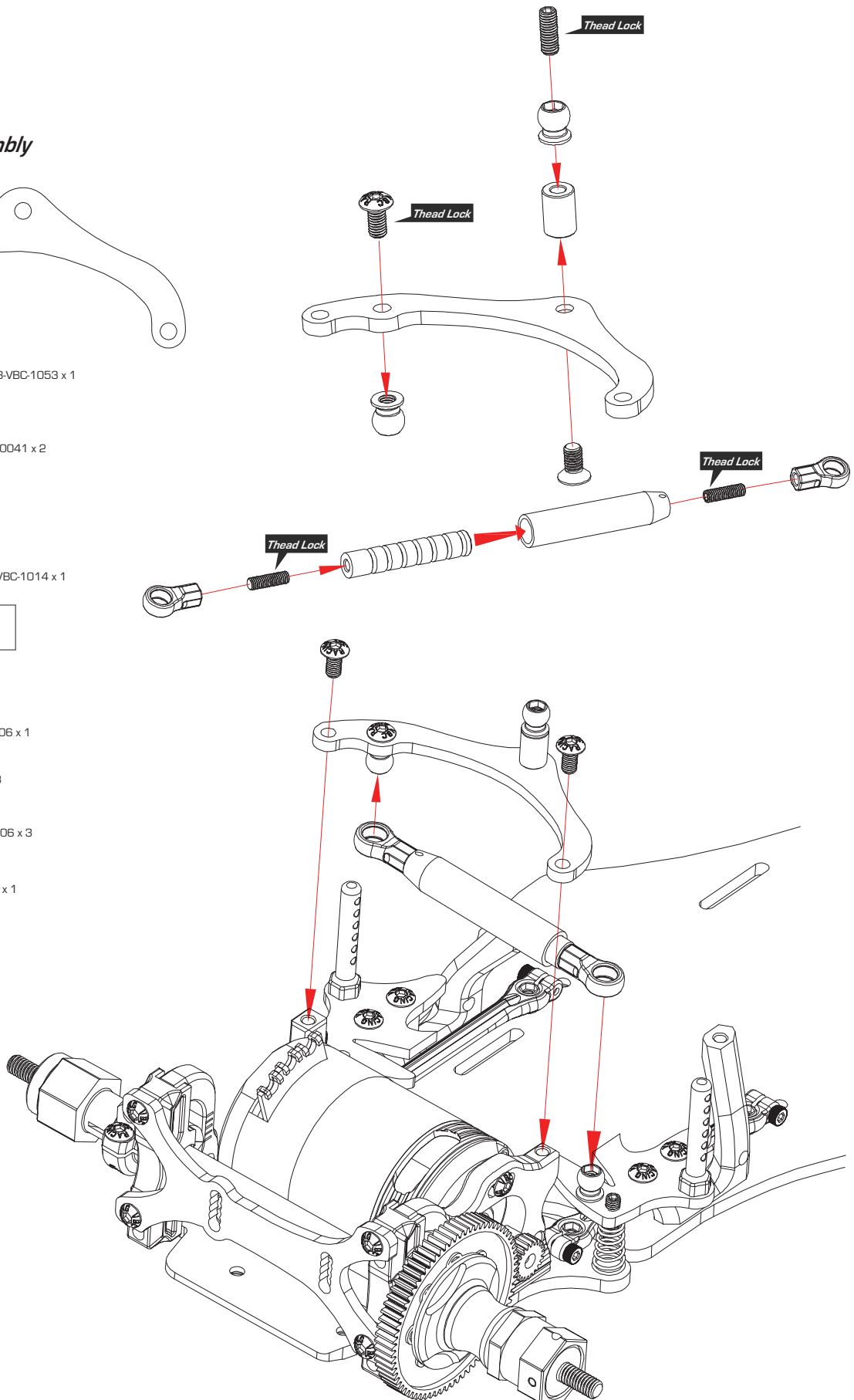
M3x8 Set Screw C-02-SC-SS-0308 x 3



M3x6 Roundhead Screw C-02-SC-R0306 x 3

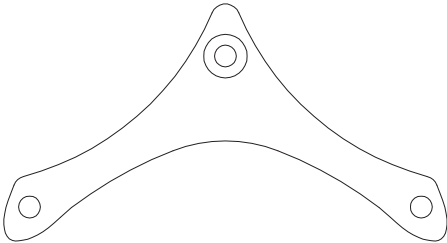


M3x6 Flathead Screw C-02-SC-F0306 x 1



17

Installing Front Suspension Support



Flash04 Upper Deck A-03-VBC-1052 x 1



Center Shock Height Spacer A-03-VBC-1013 x 1



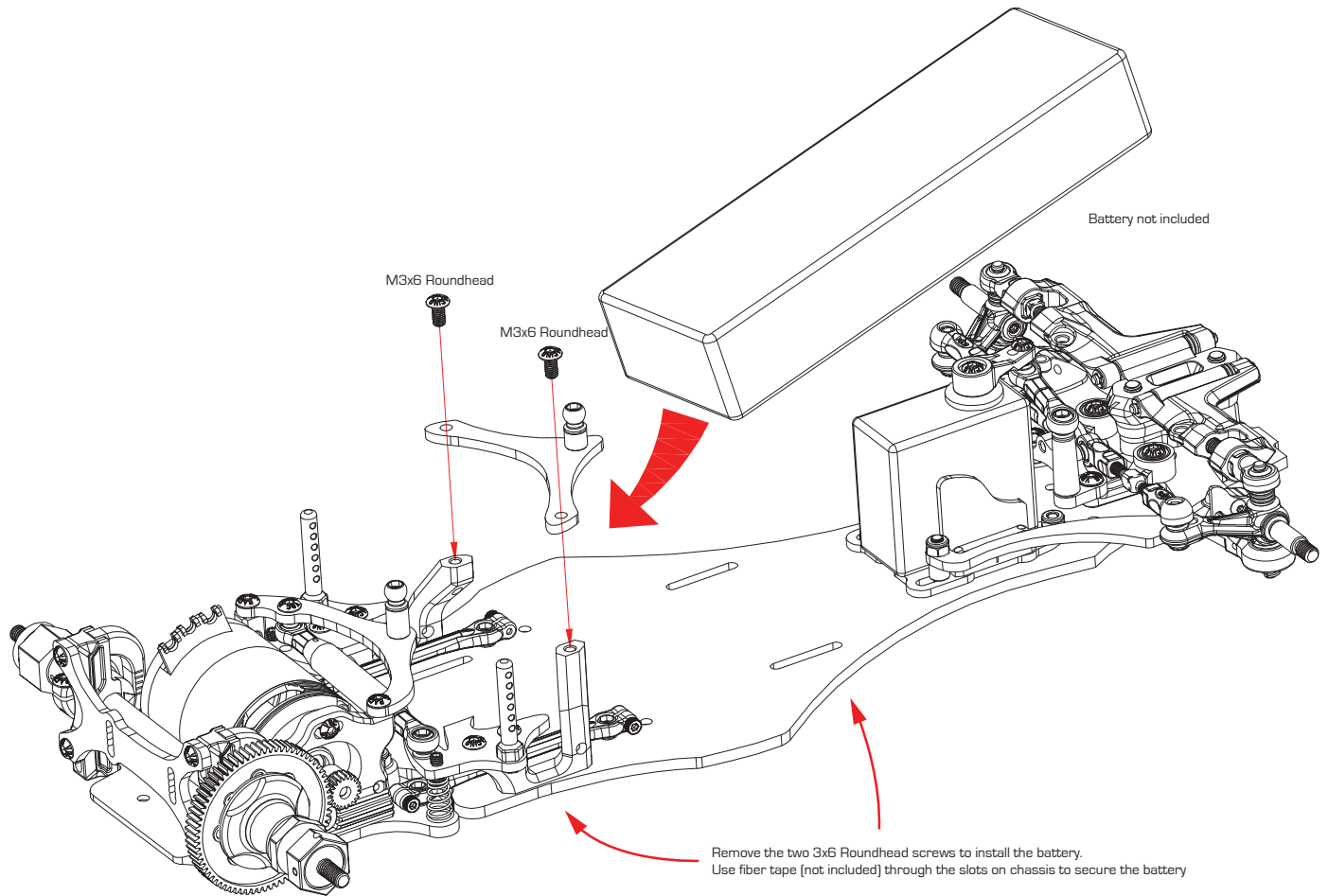
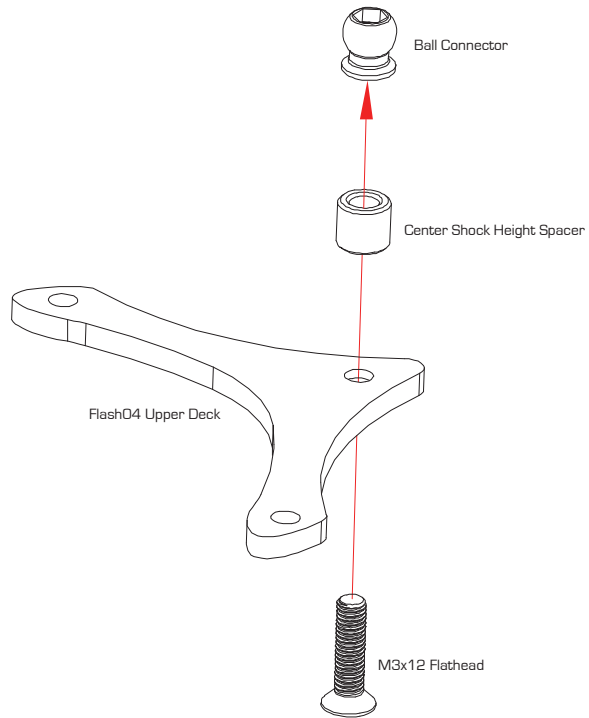
Ball Connector B-02-VBC-0045 x 1



M3x12 Flathead Screw C-02-SC-F0312 x 1

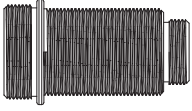


M3x6 Roundhead Screw C-02-SC-R0306 x 2

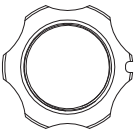


18

Assemble Center Oil Shock



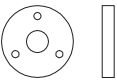
Shock Body B-02-VBC-0039 x 1



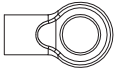
Shock Height Adjuster B-02-VBC-0042 x 1



Shock Bottom Cap B-02-VBC-0041 x 1



Shock Piston (3 holes) A-03-VBC-0045 x 1



Shock Bottom Connector A-03-VBC-0066 x 1



Shaft Cap A-03-VBC-0046 x 1



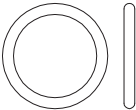
Shaft Guide A-03-VBC-0058 x 1



Shock Shaft B-02-VBC-0043 x 1



Center Shock Spacer A-03-VBC-1072 x 1



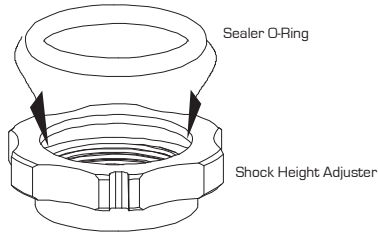
Sealer O-Ring B-03-VBC-0002 x 1



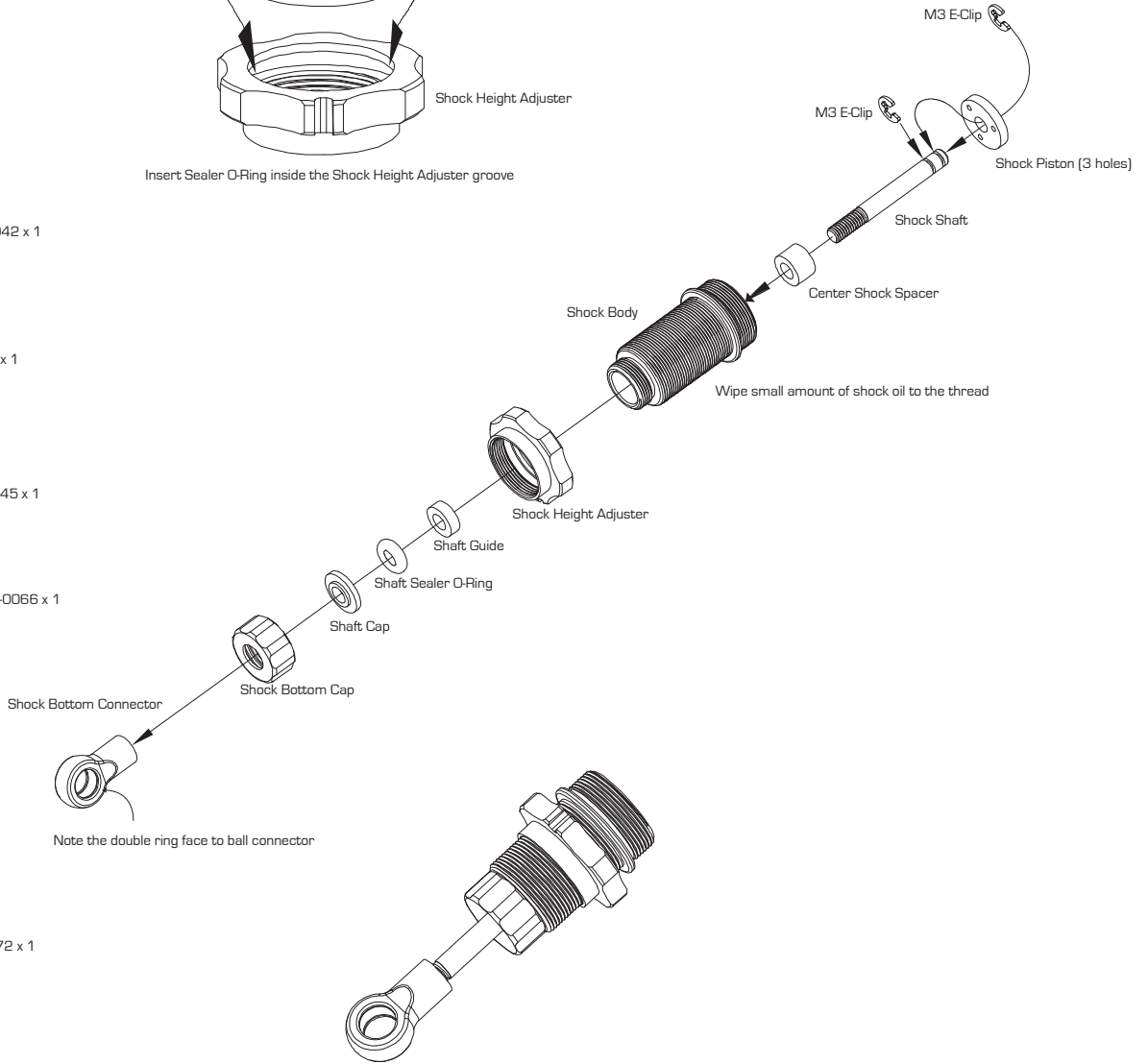
Shaft Sealer O-Ring B-03-VBC-0012 x 1



M3 E-Clip B-02-VBC-0044 x 2



Insert Sealer O-Ring inside the Shock Height Adjuster groove



Make sure the shock shaft can move up and down freely

19

Assemble Center Oil Shock Part 2



Shock Top Connector A-03-VBC-0042 x 1



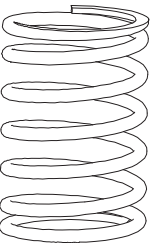
Spring Bottom Support A-03-VBC-0043 x 1



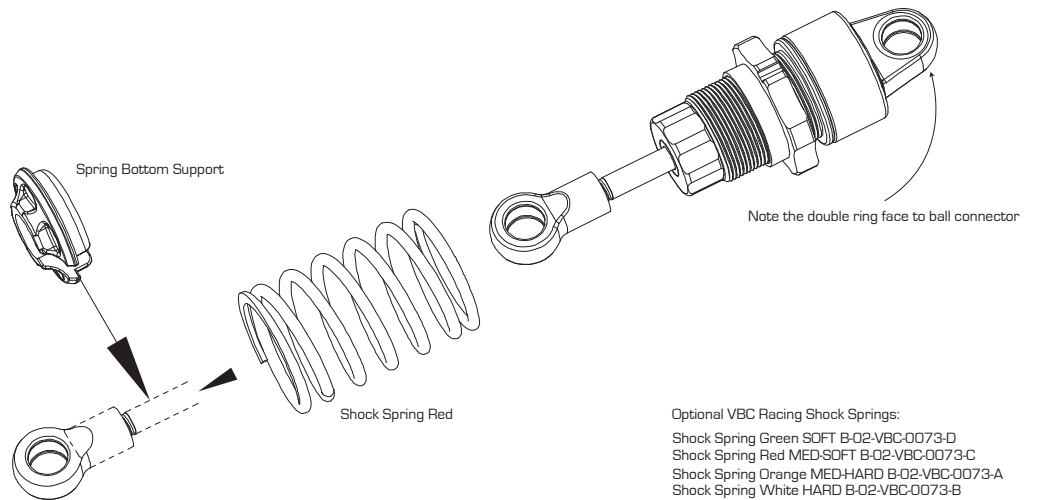
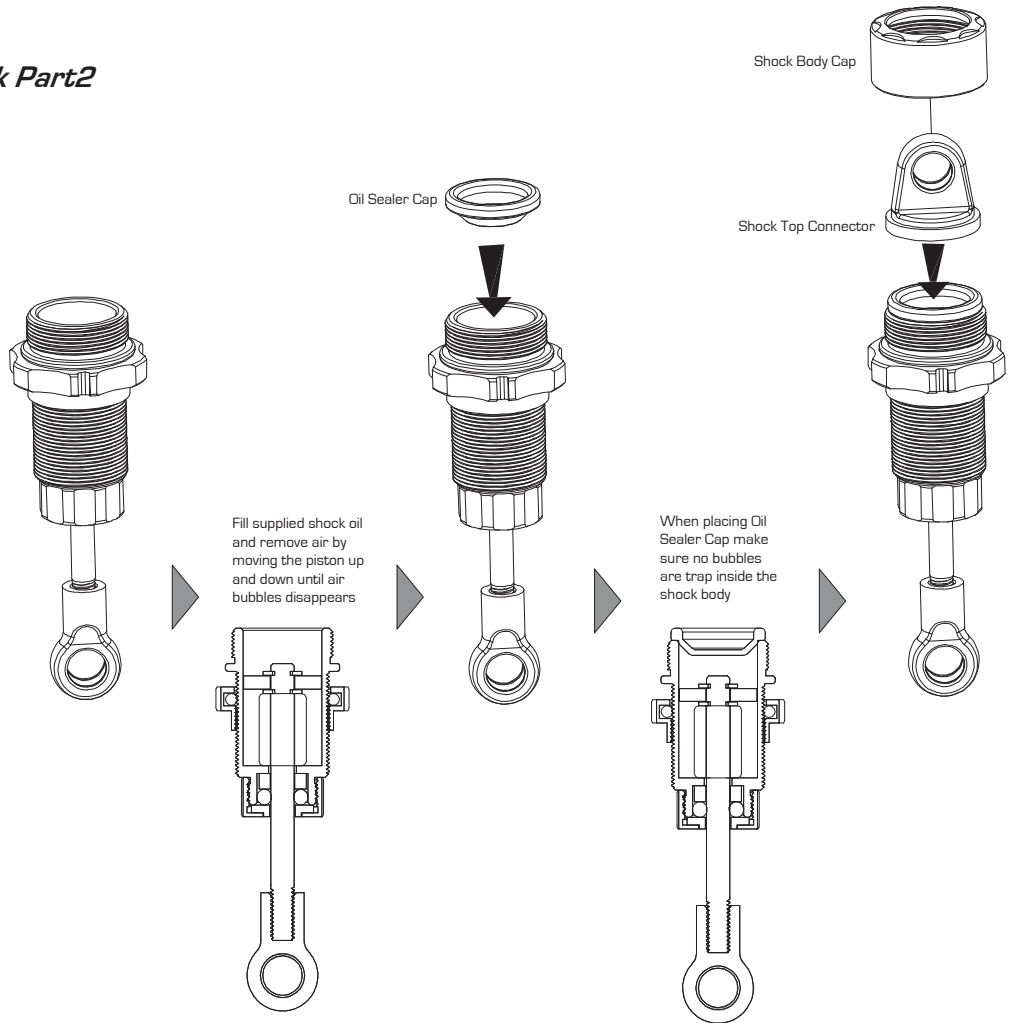
Oil Sealer Cap B-03-VBC-0011 x 1



Shock Body Cap B-02-VBC-0040 x 1



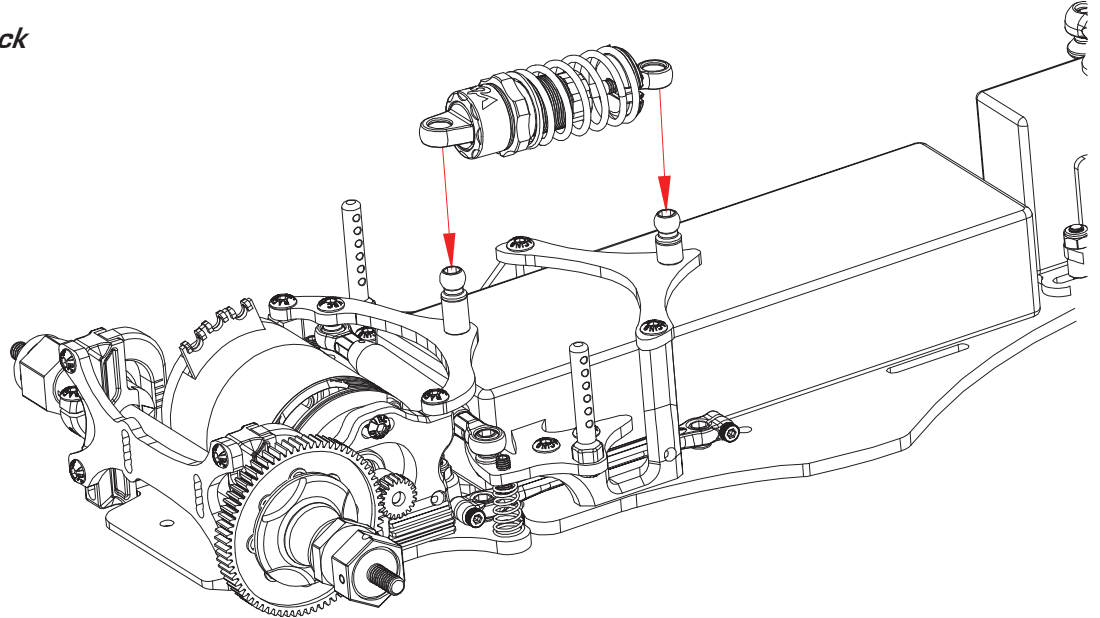
Shock Spring Red MED-SOFT B-02-VBC-0073-C x 1



Color	Green B-02-VBC-0073-D	Red B-02-VBC-0073-C	Orange B-02-VBC-0073-A	White B-02-VBC-0073-B
Rate lb/in	16.20	17.10	18.10	21.90
Rate gf/mm	289	305	323	392
Coils	6.75	6.5	6.25	5.5

20

Install the Center Shock



21

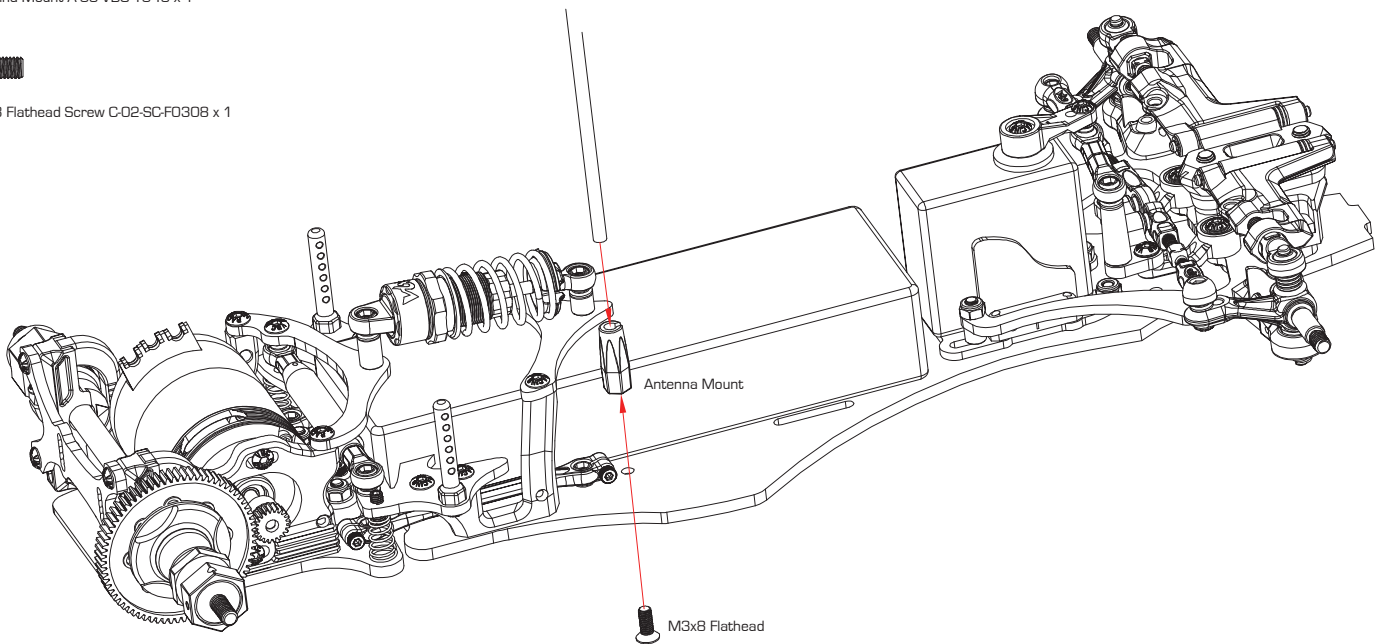
Install the Antenna Mount



Antenna Mount A-03-VBC-1043 x 1



M3x8 Flathead Screw C-02-SC-F0308 x 1



22

Installing Wheels



M4 Aluminum Lock Nut (Flanged) A-03-VBC-1078 x 2



M4 Aluminum Lock Nut A-03-VBC-1024 x 2

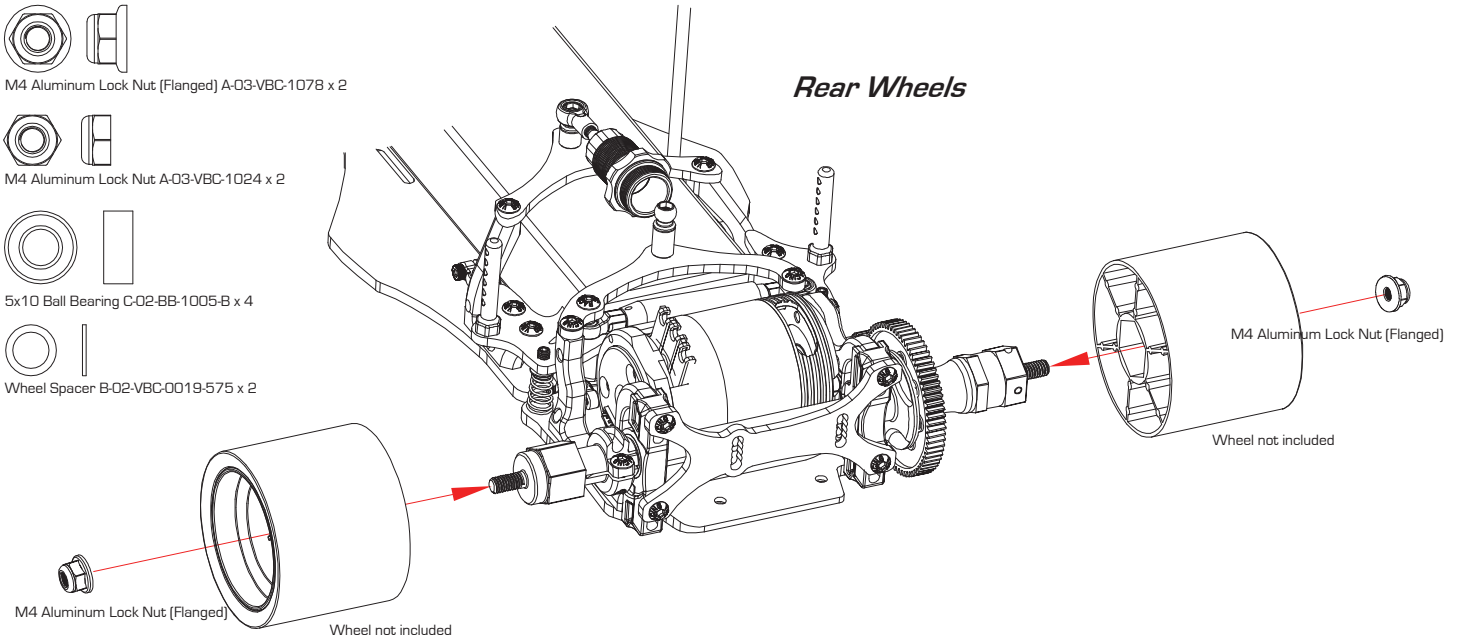


5x10 Ball Bearing C-02-BB-1005-B x 4



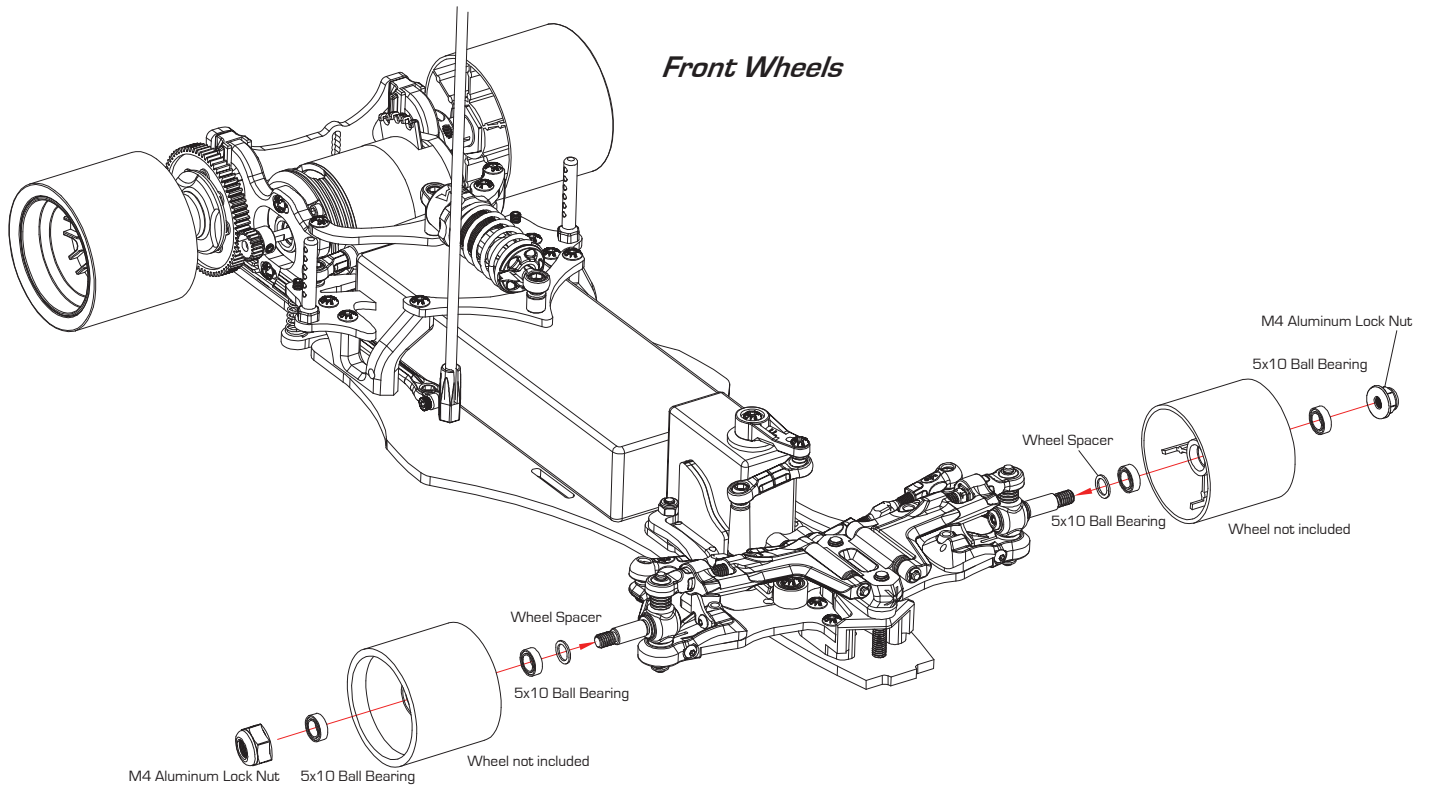
Wheel Spacer B-02-VBC-0019-575 x 2

Rear Wheels



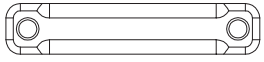
FlashD4 fits all types of F103/F104 wheels and tires including foam and rubber tires.

Front Wheels

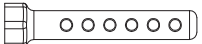


23

Installing Front & Rear Wings



Rear Wing Mount A-03-VBC-1015 x 1



Flash04 7075 Body Post A-03-VBC-1012 x 1



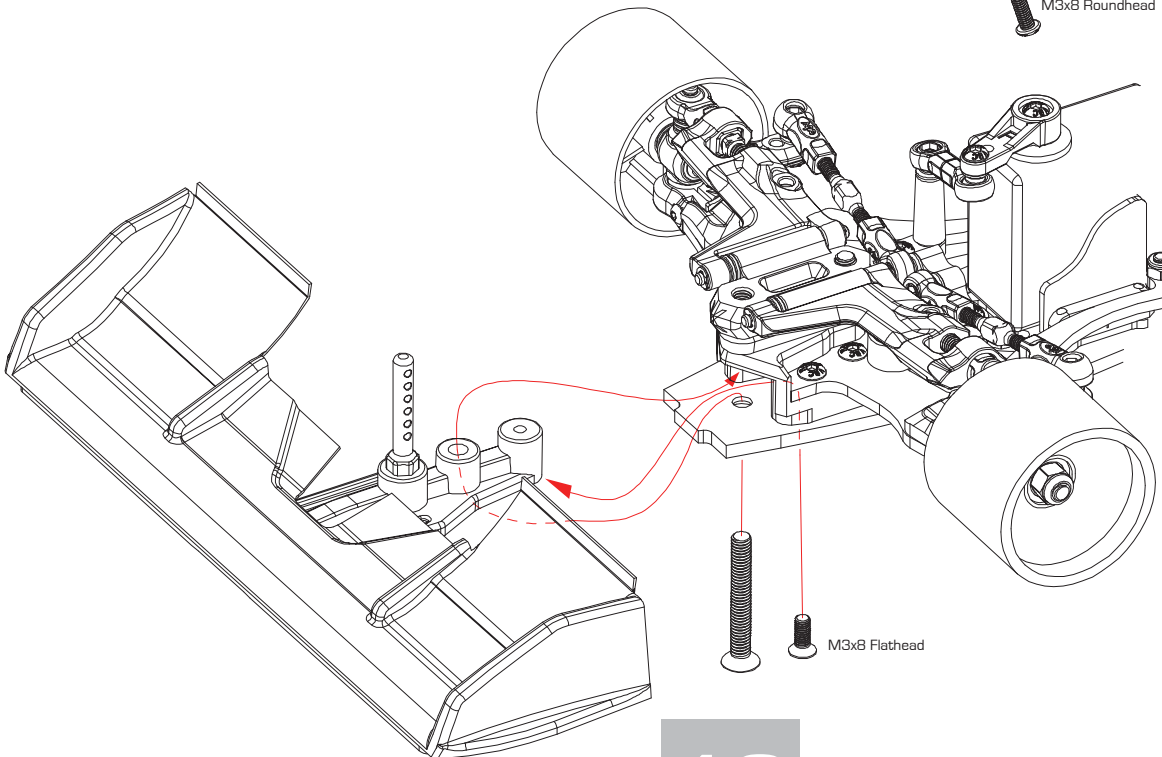
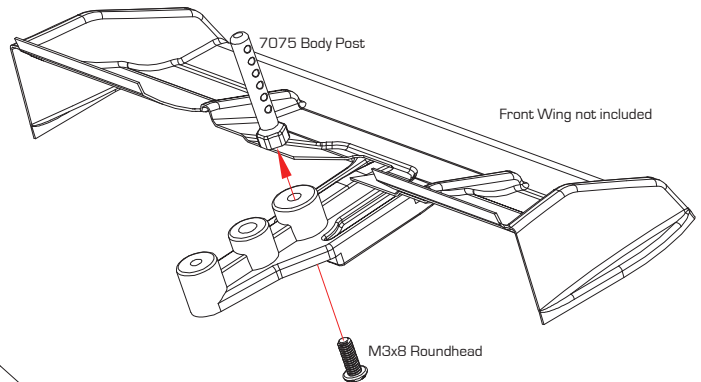
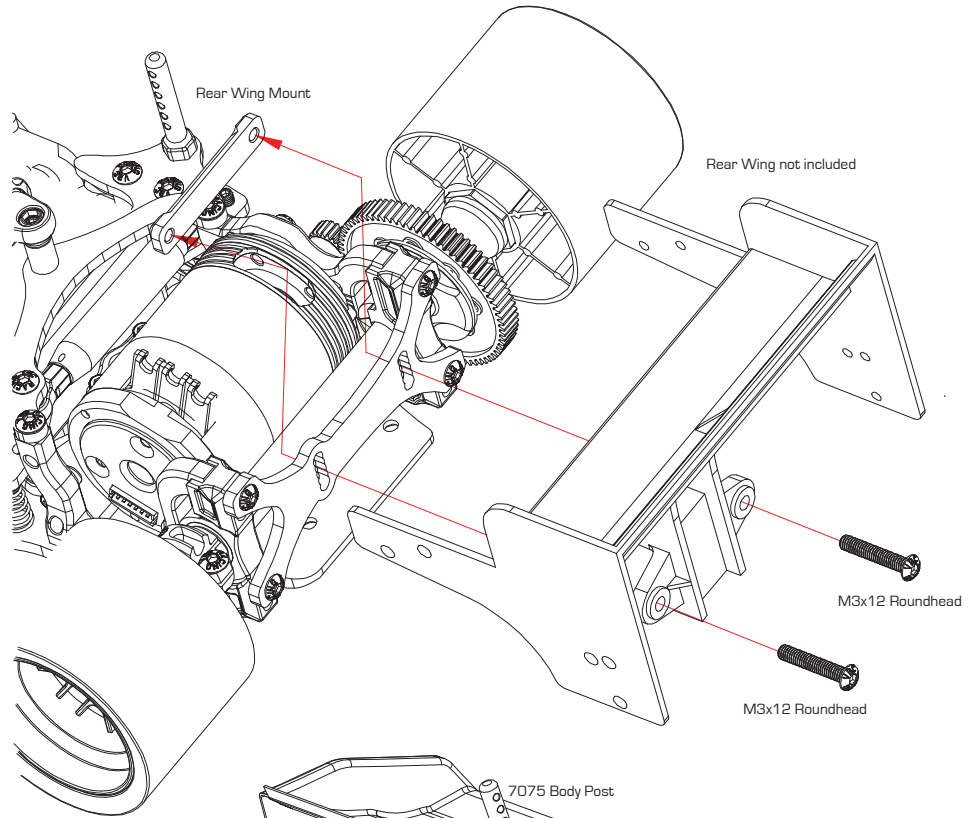
M3x12 Roundhead Screw C-02-SC-R-0312 x 2



M3x8 Roundhead Screw C-02-SC-R0308 x 1



M3x8 Flathead Screw C-02-SC-F0308 x 1

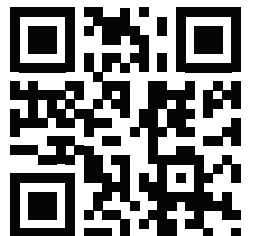




COMPETITION GRADE HIGH PERFORMANCE RADIO CONTROL RACING CAR CHASSIS KIT

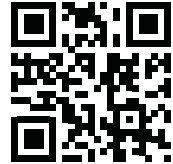
FLASH-04

1/10 ELECTRIC COMPETITION FORMULA CAR KIT



Instruction Book P-1001.0 VBC Racing Flash04 Formula Car Kit D-05-VBC-0075

PARTS LIST



FOR ONLINE ORDERS, PLEASE VISIT OUR WEBSITE WWW.VBCRACING.COM OR VISIT YOUR NEAREST HOBBY STORE. PLEASE VISIT OUR WEBSITE FOR THE LATEST VBC WILDFIRE OPTION PARTS.

Order Number	Package Descriptions	Parts Number	Parts Descriptions
A-03-VBC-1051	Flash04 Main Chassis	A-03-VBC-1051	Main Chassis (3.0MM)
A-03-VBC-1052	Flash04 Upper Deck	A-03-VBC-1052	Upper Deck (2.5MM)
A-03-VBC-1057	Flash04 Front Lower arm (Left)	A-03-VBC-1057	Flash04 Front Lower arm (Left)
A-03-VBC-1058	Flash04 Front Lower arm (Right)	A-03-VBC-1058	Flash04 Front Lower arm (Right)
A-03-VBC-1053	Flash04 Rear Suspension Support	A-03-VBC-1053	Flash04 Rear Suspension Support
A-03-VBC-1054	Flash04 Side Damper Outer Mount	A-03-VBC-1054	Flash04 Side Damper Outer Mount
A-03-VBC-1055	Flash04 Rear Wing Plate	A-03-VBC-1055	Flash04 Rear Wing Plate
A-03-VBC-1056	Flash04 Motor Mount Bottom Plate (7075)	A-03-VBC-1056	Flash04 Motor Mount Bottom Plate (7075)
D-05-VBC-1001	Flash04 Servo Clamp Plate Set	A-03-VBC-1059 A-03-VBC-1060	Flash04 Servo Clamp Plate Right Flash04 Servo Clamp Plate Left
A-03-VBC-1061	Flash04 Adjustable Servo Plate	A-03-VBC-1061	Flash04 Adjustable Servo Plate
A-03-VBC-1062	Flash04 Steering Limiter	A-03-VBC-1062	Flash04 Steering Limiter
A-03-VBC-1030	Rear Axle Height Adjustable Mount	A-03-VBC-1030	Rear Axle Height Adjustable Mount
D-05-VBC-1002	Flash04 Upper Arm Outer Cup Flash04 Upper arm	A-03-VBC-1031 A-03-VBC-1035	Flash04 Upper Arm Outer Cup Flash04 Upper Arm
A-03-VBC-1032	Side Linkage	A-03-VBC-1032	Side Linkage
D-05-VBC-1003	Flash04 Steering Block with Shaft	A-03-VBC-1038 B-02-VBC-1002	Flash04 Steering Block Front Wheel Shaft
D-05-VBC-1004	Servo Mount Support Set	A-03-VBC-1067 A-03-VBC-1068 A-03-VBC-1069 A-03-VBC-1070	16mm Servo Mount Support 12mm Servo Mount Support 8mm Servo Mount Support 6mm Servo Mount Support
A-03-VBC-1071	Thrust Bearing Spacer	A-03-VBC-1071	Thrust Bearing Spacer
A-03-VBC-1033	Lower Arm support	A-03-VBC-1033	Lower arm support
D-05-VBC-1005	Flash04 Pivot Mount Set	A-03-VBC-1036 A-03-VBC-1037	Center Pivot Bottom Support Mount Center Pivot Top Clamp Plate
D-05-VBC-1006	Lower Arm Pivot Ball Mount	A-03-VBC-1039 A-03-VBC-1040	Front Lower Arm Pivot Ball Mount (Left) Front Lower Arm Pivot Ball Mount (Right)
D-05-VBC-1007	Servo Horns & Connector Set	A-03-VBC-1041 A-03-VBC-1042 A-03-VBC-1045 A-03-VBC-0061	Servo Horn 'A' Servo Horn 'F' Turnbuckle Cup F Servo Saver Connector Cup
A-03-VBC-1043	Antenna Mount	A-03-VBC-1043	Antenna Mount
A-03-VBC-0041	Turnbuckle Cup Open Type L	A-03-VBC-0041	Turnbuckle Cup Open Type L
A-03-VBC-0039	Turnbuckle Cup (Grey)	A-03-VBC-0039	Turnbuckle Cup (Grey)
A-03-VBC-1046	64Pitch 96T Spur Gear	A-03-VBC-1046	64Pitch 96T Spur Gear
A-03-VBC-1001	Rear Axle Left Bulkhead	A-03-VBC-1001	Rear Axle Left Bulkhead
A-03-VBC-1002	Flash04 Motor Mount	A-03-VBC-1002	Flash04 Motor Mount
A-03-VBC-1003	Flash04 Upper Deck Mount (Left)	A-03-VBC-1003	Flash04 Upper Deck Mount (Left)
A-03-VBC-1004	Flash04 Upper Deck Mount (Right)	A-03-VBC-1004	Flash04 Upper Deck Mount (Right)
D-05-VBC-1008	Flash-04 Side Damper Set	B-02-VBC-0045 A-03-VBC-1005 A-03-VBC-1006 A-03-VBC-0041 C-02-SC-SS-0308	Ball Connector Side Damper Tube Side Damper Piston Rod Turnbuckle Cup Open Type L M3x8 Set Screw
A-03-VBC-1028	Side Spring Adjuster	A-03-VBC-1028	Side Spring Adjuster
A-03-VBC-1047	Side Spring (Black)	A-03-VBC-1047	Side Spring (Black)
A-03-VBC-1027	Flash04 Pivot Ball	A-03-VBC-1027	Flash04 Pivot ball
A-03-VBC-1025	Front Camber Link Turnbuckle	A-03-VBC-1025	Front Camber Link Turnbuckle
A-03-VBC-1023	King Pin Upper Ball	A-03-VBC-1023	King Pin Upper Ball
D-05-VBC-1009	Front Upper Arm Mount Set	A-03-VBC-1007 A-03-VBC-1074 A-03-VBC-1073	Front Upper Arm Mount Front Upper Arm Pin Guide Front Upper Arm Spacer
B-02-VBC-1005	Front Upper Arm Pin M2.5	B-02-VBC-1005	Front Upper Arm Pin M2.5
A-03-VBC-1021	Flash04 Front Arm Spacer T1	A-03-VBC-1021	Flash04 Front Arm Shims T1
B-02-VBC-0045	Ball Connector	B-02-VBC-0045	Ball Connector
B-02-VBC-1004	Flash04 King Pin	B-02-VBC-1004	Flash04 King pin
A-03-VBC-1022	Front Lower Arm Pivot Ball	A-03-VBC-1022	Front Lower Arm Pivot Ball
A-03-VBC-1048	Front Suspension Spring (Black)	A-03-VBC-1048	Front Suspension Spring (Black)
B-02-VBC-0044	M3 E-Clips	B-02-VBC-0044	M3 E-Clips
A-03-VBC-1064	Flash04 Arm Pin E-Clips	A-03-VBC-1064	Flash04 Arm Pin E-Clips
B-02-VBC-1075	M4 7075 Flathead Screw	B-02-VBC-1075	M4 7075 Flathead Screw
D-05-VBC-1010	Flash-04 Steering Arm Set	A-03-VBC-1008 A-03-VBC-1009 A-03-VBC-1010 B-02-VBC-0045 C-02-BB-0805-B C-02-BB-0803 B-02-VBC-0089 C-02-SC-R0304 C-02-SC-R0306 C-02-SC-SS-0306	Steering Arm Steering Arm Nearing Pole Steering Travel Plate Ball Connector 5x8 Ball Bearing 3x6 Ball Bearing Steering Cone Washer M3x4 Roundhead Screw M3x6 Roundhead Screw M3x6 Set Screw

Order Number	Package Descriptions	Parts Number	Parts Descriptions
B-02-VBC-0036	Steering Turnbuckle	B-02-VBC-0036	Steering Turnbuckle
A-03-VBC-1011	Servo Support Mount	A-03-VBC-1011	Servo Support Mount
A-03-VBC-1026	Front Lower Arm Spacer	A-03-VBC-1026	Front Lower Arm Spacer
A-03-VBC-1012	Flash04 7075 Body Post	A-03-VBC-1012	Flash04 7075 Body Post
D-05-VBC-1011	Flash-04 Ball Diff Set.	A-03-VBC-1024 B-02-VBC-1006 A-03-VBC-1016 B-02-VBC-1001 C-02-DB-0801 A-03-VBC-1017 A-03-VBC-1018 A-03-VBC-1020 A-03-VBC-1077 A-03-VBC-1044 A-03-VBC-1071 A-03-VBC-1065 A-03-VBC-1066 C-02-BB-1006-B A-03-VBC-1049 C-02-SC-R-0306 C-02-SC-SS-0303	M4 Lock Nut Flash04 Diff Shaft Diff Ring Inner Hub Diff D Ring 1/8" Ceramic Diff Ball Right Wheel Hub Right Wheel Hub/Outer Wheel Nut Shaft Left Wheel Hub Thrust Bearing Washer Spur/Axle Fitting Ring Thrust Bearing Spacer Thrust bearing set Bevel spring washer 10x6mm Ball Bearing M2x14 Shaft Pin M3x6mm Round Head Screw M3x3mm Set Screw
A-03-VBC-1024	M4 Lock Nut	A-03-VBC-1024	M4 Lock Nut
D-05-VBC-1012	Flash-04 Carbon Diff Shaft	B-02-VBC-1006 A-03-VBC-1016	Diff Assembly Diff Ring Inner Hub
B-02-VBC-1001	Flash04 Diff D Ring	B-02-VBC-1001	Flash04 Diff D Ring
C-02-DB-0801	Flash04 Ceramic Diff Balls	C-02-DB-0801	Flash04 Ceramic Diff Balls
D-05-VBC-1013	Flash04 Right Wheel Hub Flash04 Right Wheel Nut	A-03-VBC-1017 A-03-VBC-1018	Flash04 Right Wheel Hub Flash04 Right Wheel Nut
A-03-VBC-1020	Left Wheel hub	A-03-VBC-1020	Left Wheel hub
A-03-VBC-1065	Thrust Bearing Set	A-03-VBC-1065	Thrust Bearing Set
A-03-VBC-1066	Beveled Spring Washer	A-03-VBC-1066	Beveled Spring Washer
A-03-VBC-1049	M2x14 Shaft Pin	A-03-VBC-1049	M2x14 Shaft Pin
C-02-BB-1006-FB	10x6mm Flanged Ball Bearing	C-02-BB-1006-FB	10x6mm Flanged Ball Bearing
C-02-BB-1006-B	10x6mm Ball Bearing	C-02-BB-1006-B	10x6mm Ball Bearing
A-02-VBC-1076	Flash-04 Decal	A-02-VBC-1076	Flash-04 Decal
A-03-VBC-1015	Rear Wing Mount	A-03-VBC-1015	Rear Wing Mount
D-05-VBC-1014	Flash04 Center Shock Set	B-02-VBC-0039 B-02-VBC-0042 B-02-VBC-0041 A-03-VBC-0057 A-03-VBC-0044 A-03-VBC-0045 A-03-VBC-0066 A-03-VBC-0046 A-03-VBC-0058 B-02-VBC-0043 B-03-VBC-0002 B-03-VBC-0012 B-02-VBC-0044 A-03-VBC-0042 A-03-VBC-0043 B-03-VBC-0011 B-02-VBC-0040 A-03-VBC-0073-C A-03-VBC-1072 A-03-VBC-1013 A-03-VBC-1014	Shock Body Shock Height Adjuster Shock Bottom Cap Shock Piston (1 hole) Shock Piston (2 holes) Shock Piston (3 holes) Shock Bottom Connector Shaft Cap Shaft Guide Shock Shaft Sealer O-Ring (Shock) Shaft Sealer O-Ring M3 E-Clip Shock Top Connector Spring Bottom Support Oil Sealer Cap Shock Body Cap Shock Spring (Orange-Medium Soft) Center Shock Spacer Center Shock Height Spacer Center Shock Height Pole (Rear)
D-05-VBC-0021	WildFire Shocks Parts Set	A-03-VBC-0066 A-03-VBC-0042 A-03-VBC-0043 A-03-VBC-0057 A-03-VBC-0044 A-03-VBC-0045 A-03-VBC-0046 A-03-VBC-0058	Shock Bottom Connector Shock Top Connector Spring Bottom Support Shock Piston (1 hole) Shock Piston (2 holes) Shock Piston (3 holes) Shaft Cap Shaft Guide
C-02-SC-F0306	M3x6 Flathead Screw	C-02-SC-F0306	M3x6 Flathead Screw
C-02-SC-F0312	M3x12 Flathead Screw	C-02-SC-F0312	M3x12 Flathead Screw
C-02-SC-R2506	M2.5x6 Flathead Screw	C-02-SC-R2506	M2.5x6 Flathead Screw
C-02-SC-R2.0x6	M2x6 Screw	C-02-SC-R2.0x6	M2x6 Screw
C-02-SC-R-0312	M3x12 Roundhead Screw	C-02-SC-R-0312	M3x12 Roundhead Screw
C-02-SC-R0306	M3x6 Roundhead Screw	C-02-SC-R0306	M3x6 Roundhead Screw
C-02-SC-R0308	M3x8 Roundhead Screw	C-02-SC-R0308	M3x8 Roundhead Screw
C-02-SC-F0308	M3x8 Flathead Screw	C-02-SC-F0308	M3x8 Flathead Screw
C-02-SC-R0210	M2x10 Roundhead Screw	C-02-SC-R0210	M2x10 Roundhead Screw
C-02-SC-R0206	M2x6 Roundhead Screw	C-02-SC-R0206	M2x6 Roundhead Screw
C-02-SC-R0305	M3x5 Roundhead Screw	C-02-SC-R0305	M3x5 Roundhead Screw
B-02-VBC-0019-05	T0.5 7075 Spacer	B-02-VBC-0019-05	T0.5 7075 Spacer
C-02-SC-R2606	M2.6x6 Flathead Screw	C-02-SC-R2606	M2.6x6 Flathead Screw
C-02-SC-F-0316	M3x16 Flathead Screw	C-02-SC-F-0316	M3x16 Flathead Screw
B-02-VBC-0019-57	Wheel Spacer	B-02-VBC-0019-57	Wheel Spacer