

FLASHWAY

1/10 ELECTRIC COMPETITION FORMULA CAR KIT

Setting Sheet

Ver 1.01



Driver : SURIKARN

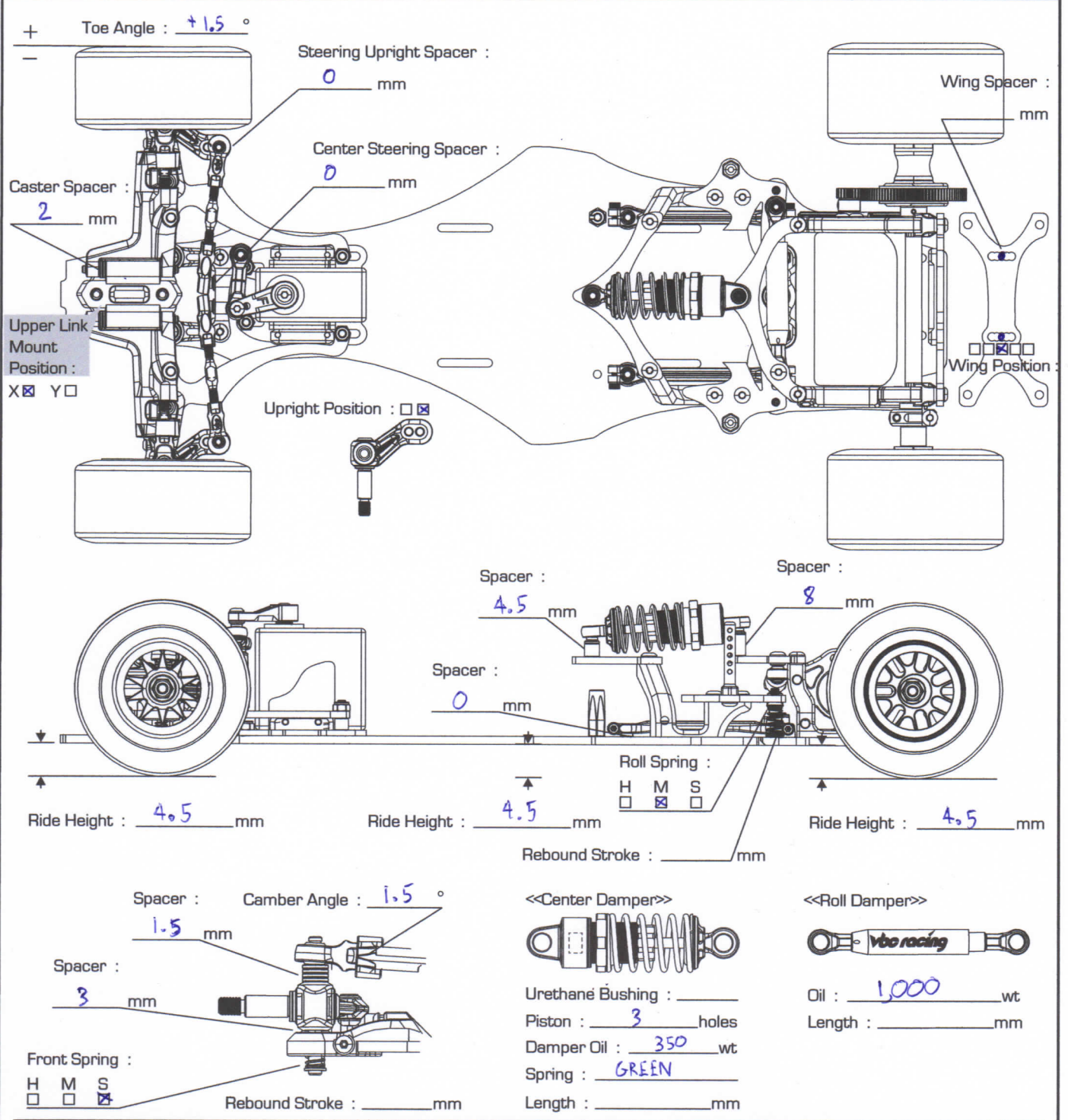
Track : _____

Date : 15 APRIL 2013

Condition : _____

Event : _____

Temp. : _____



Motor : HW 17.5
 Spur Gear : 97 T
 Pinon Gear : 36 T
 Gear Ratio : _____ T
 ESC : HW JUSTOCK
 Setup : _____
 Battery : _____
 Weight : _____

Body : F104 PRO
 Front Wing : F104 PRO
 Rear Wing : F104 PRO
 Tire : RIDE R1
 Insert : STOCK
 Wheel : STOCK
 Treatment : NOSRAM CARPET
 Diameter : FR _____ mm, RR _____ mm

Treatment Surface Area :

