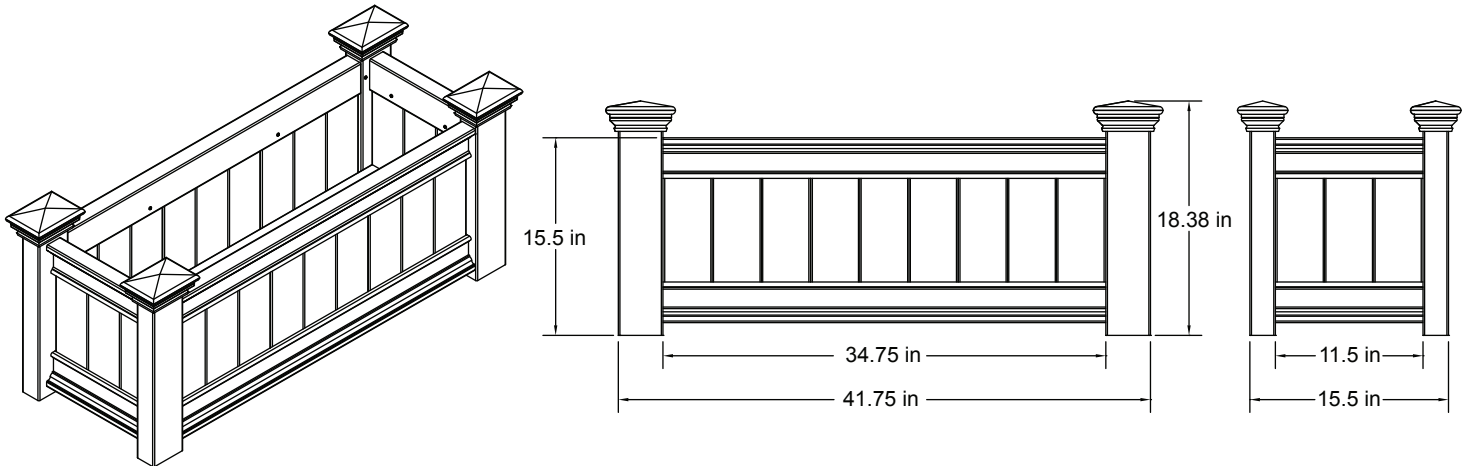


ASSEMBLY INSTRUCTIONS

Eden
Outdoor Collection™

www.edenarbors.com

The Windsor Long Planter Box

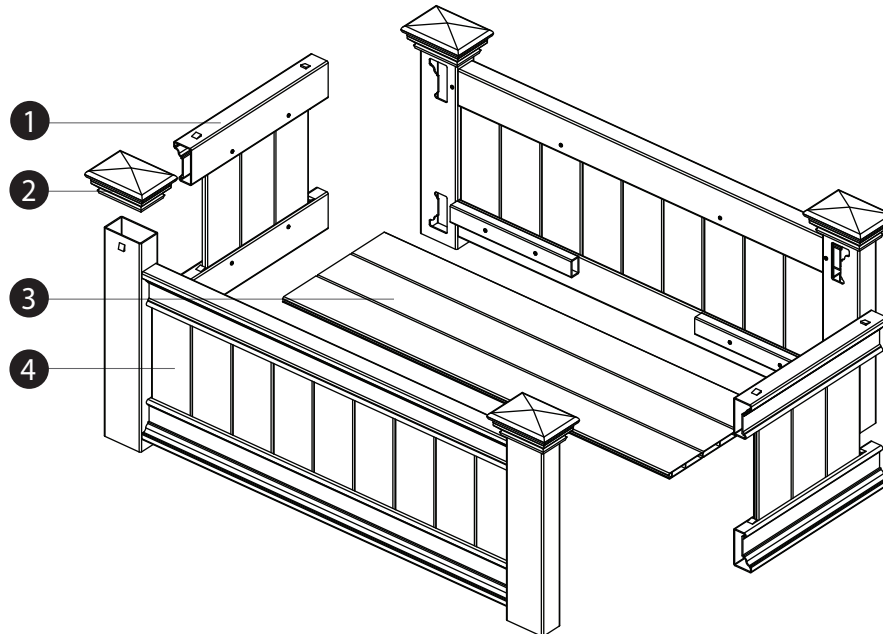


Please read through before starting assembly.

Check Box for These Contents

In the event of missing or defective parts please call our customer service dept. at **1 800 282 9346, ext #20** (Mon. to Fri. 8:00 AM to 4:00 PM EST).

1. Pre-Assembled Side Wall Panels (2)
2. Post Caps (4)
3. Floor Panel (1)
4. Pre-Assembled Front & Back Wall Panels with Posts Connected (2)



General Information

- **Read Instructions through carefully before beginning assembly.**
- When assembling components, place on a non-abrasive surface (i.e. shipping box) to avoid scratching.
- We recommend an area approx 4'x 8' for unobstructed assembling.
- You should not need to use excessive force when assembling components.

STEP ONE

Connect the Front & Back Wall to the Side Wall Panels

1

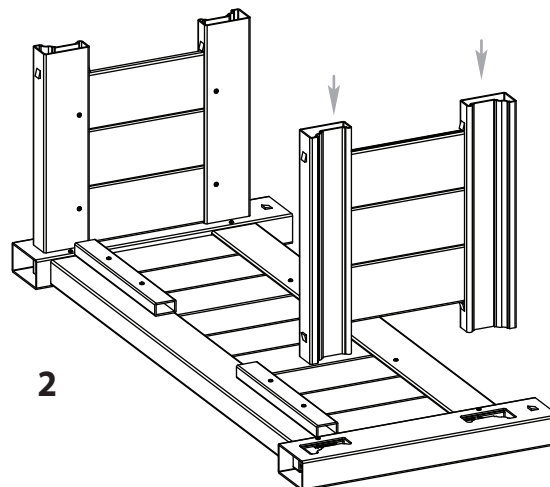
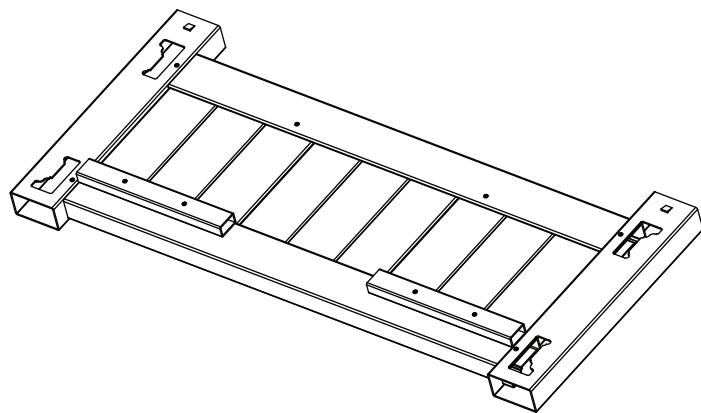
Lay out front wall panel on the work surface.

2

Insert the side walls into the routed holes on the front wall panel posts. Push side walls until the locking tabs snap into place.

3

Fit the opposite back wall panel over the side walls.



2

STEP TWO

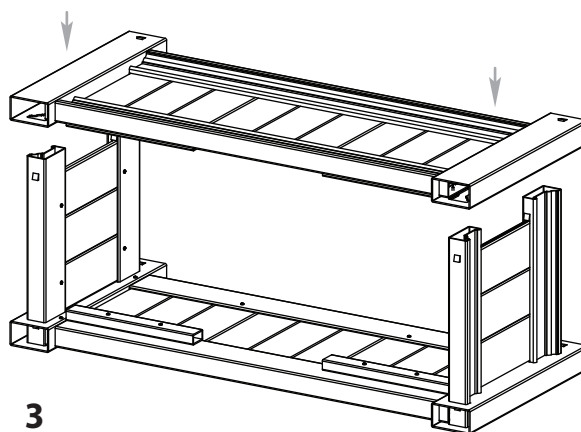
Insert Floor Panels & Post Caps

4

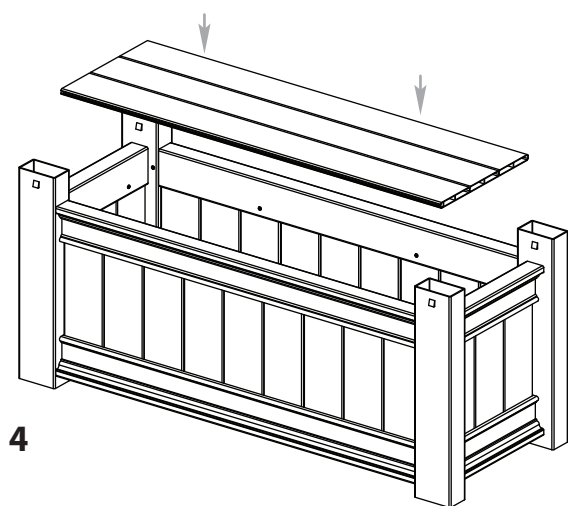
Pressure fit the floor panels into place.

5

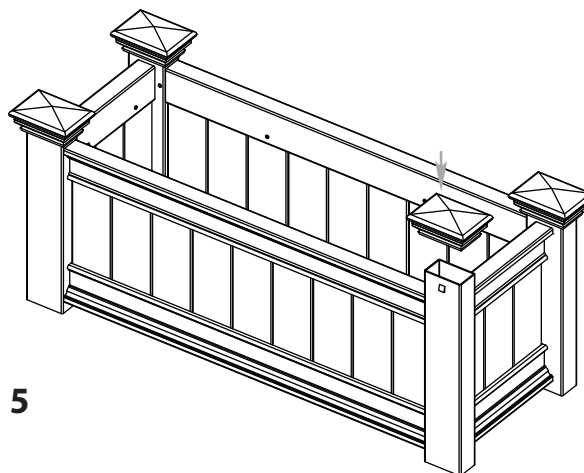
Install the four post caps. Push caps until the locking tabs snap into place.



3



4



5

Eden
Outdoor Collection™