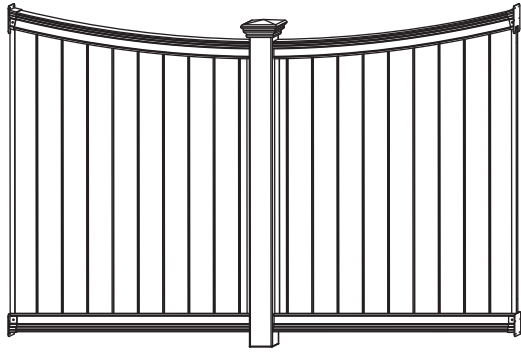


OPTIONAL

Privacy Fence Panel Materials List

(Sold Separately)



Eden™

Enduring Garden Architecture
www.edenarbors.com

Number of Shipping Boxes

The Privacy Fence Panel is shipped in two boxes.

Check Boxes for These Contents

In the event of missing or defective parts please call our customer service dept. at **1 800 282 9346, ext #20** (Mon. to Fri. 8:00 AM to 4:00 PM EST).

1. Post Cap (1)
2. Post (1)
3. U-Channel Long (2)
4. U-Channel Short (2)
5. Post Brackets for Arched Top Rail (2)
6. Post Brackets for Bottom Rail (2)
7. 4"x4" Internal Wood Post Guide (2)
8. Various Height Privacy Fence Board Panel (10)
9. Bottom Rails (2)
10. Arched Top Rails (2)

Hardware (in plastic bag)

- A. Vinyl Weld Glue (1)
- B. 5/8" Self Auguring Stainless Steel Screws for Bottom Rail Brackets (12)
- C. 5/8" Self Auguring Stainless Steel Screws for Top Rail Brackets (12)
- D. 5/8" Self Auguring Stainless Steel Screws for U-Channel (14)
- E. 1 1/2" Self Auguring Stainless Steel Screws for Middle Post (4)

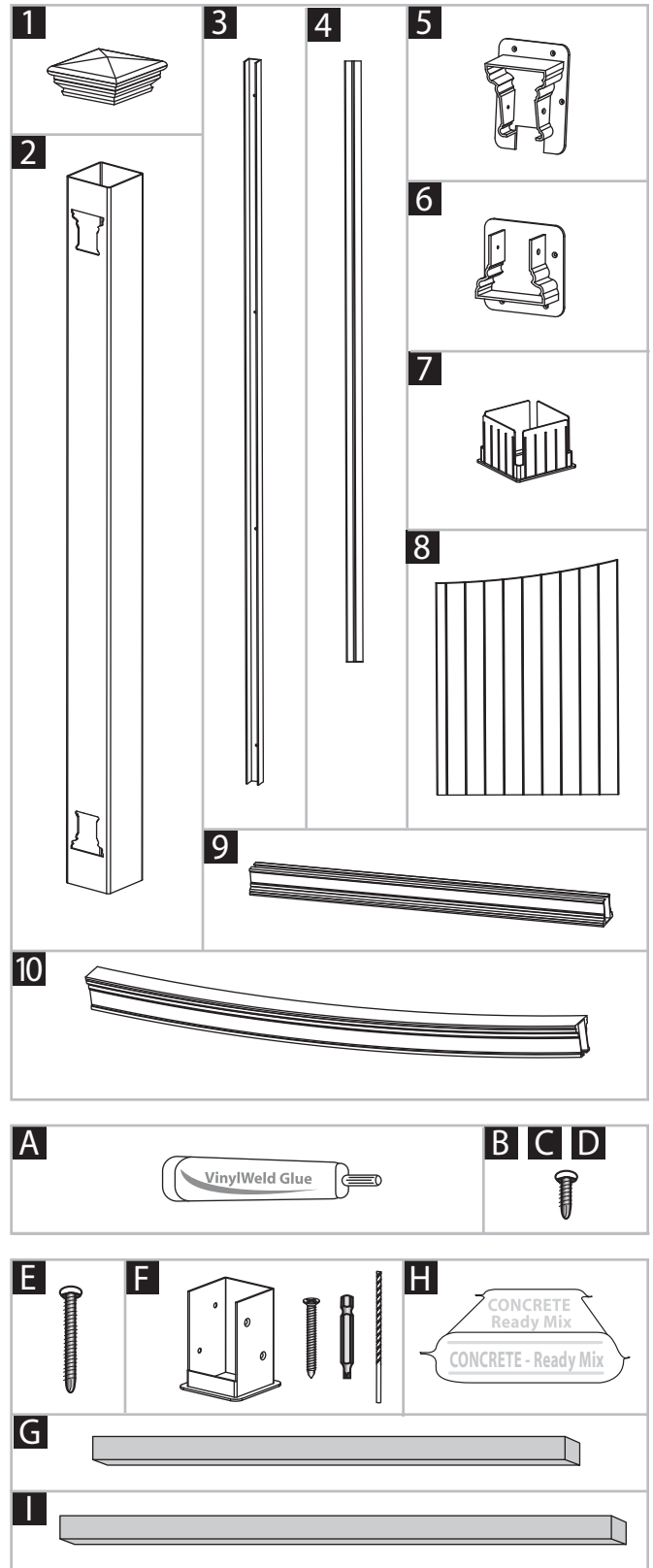
Extra Materials You will Need (Purchase Separately)

If Mounting Pergola on Concrete or Wood Deck

- F. Bolt Down Posts Bracket Including Mounting Hardware (Kit of 1)
- G. 4x4x67 1/2" Pressure-Treated Wood Posts (1) (purchase at local building center)

If Mounting Pergola in Ground

- H. Concrete Ready Mix (4) (purchase at local building center)
- I. 4x4x8 Pressure-Treated Wood Post (1) (purchase at local building center)



Not to Scale

Privacy Fence Panel Assembly & Installation

STEP ONE

Install the Middle Post

1

Measure and mark out the location of the wood 4x4 post using string or chalk line. Center of 4x4 wood post should be located between two pergola columns.

Please Note:

Follow the same applicable post instruction method as illustrated on pages 7 or 8 of this instruction guide.

2

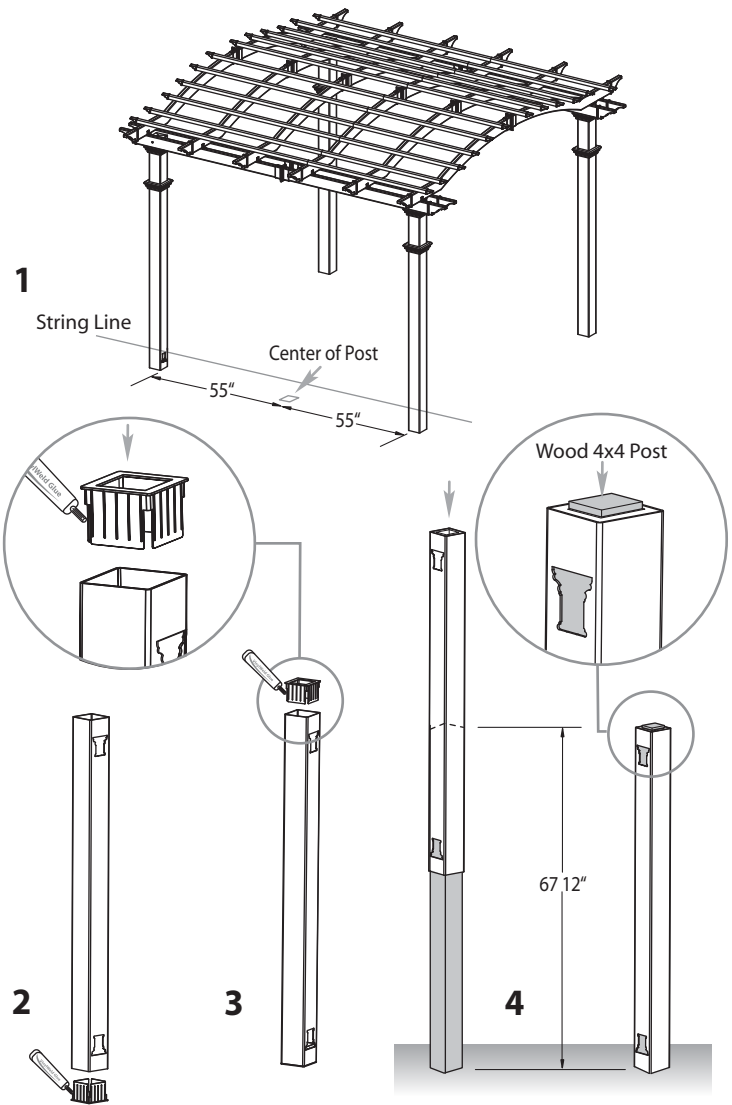
Using the vinyl weld glue insert the One Way 4"x4" Internal Wood Post Guide in the bottom of the post. This step is only applicable if your wood 4x4 post are embedded into the ground. If your pergola is going to be installed on wood or concrete surface, please dispose of this piece.

3

Using the vinyl weld glue insert the One-Way 4"x4" Internal Wood Post Guide at the top of the post.

4

Guide the vinyl post over the wood post. The wood post should stop about 67 1/2" above the ground or concrete patio. This should allow the wood post to extend thru the One-Way 4x4 Internal Wood Post Guide at the top.



STEP TWO

Install Fence

1

Install post bracket on one end of the bottom rail using screws provided.

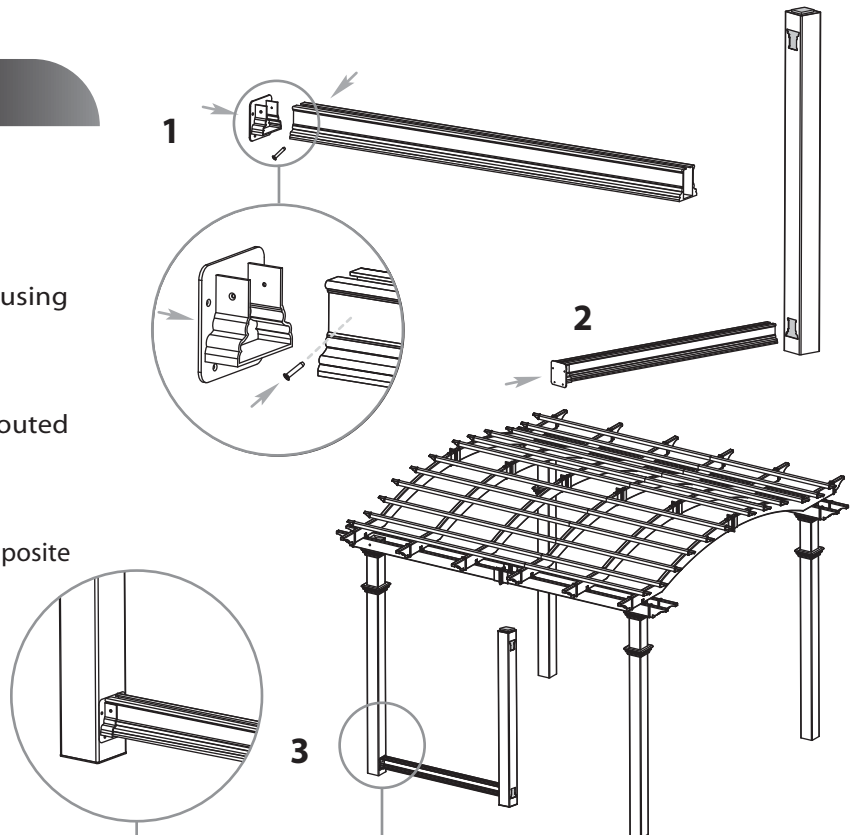
2

Slide the opposite end of the bottom rail into the routed hole on the post.

3

Using a level mark the position of the bracket on the opposite post and screw bracket into place.

(continued on following page...)



Install Fence (continued)

4

Install long and short u-channel accordingly in the middle of the vinyl posts using screws provided.

5

Install the tongue and groove privacy board working from the tallest board to the shortest. The first board should sit flush inside the u-channel.

6

Install the post bracket on one end of the arched rail. After inserting into the top routed hole on the post, begin to “walk” the rail down into place over the tongue and groove privacy board.

7

Fasten the arch post bracket to the post using screws provided.

8

Repeat for installation of the other fence panel.

9

Secure the vinyl post to the internal wood post as per illustrated on page 9 of this manual step #8. Level and adjust as necessary before screwing into place.

10

Install the post cap using vinyl weld.

