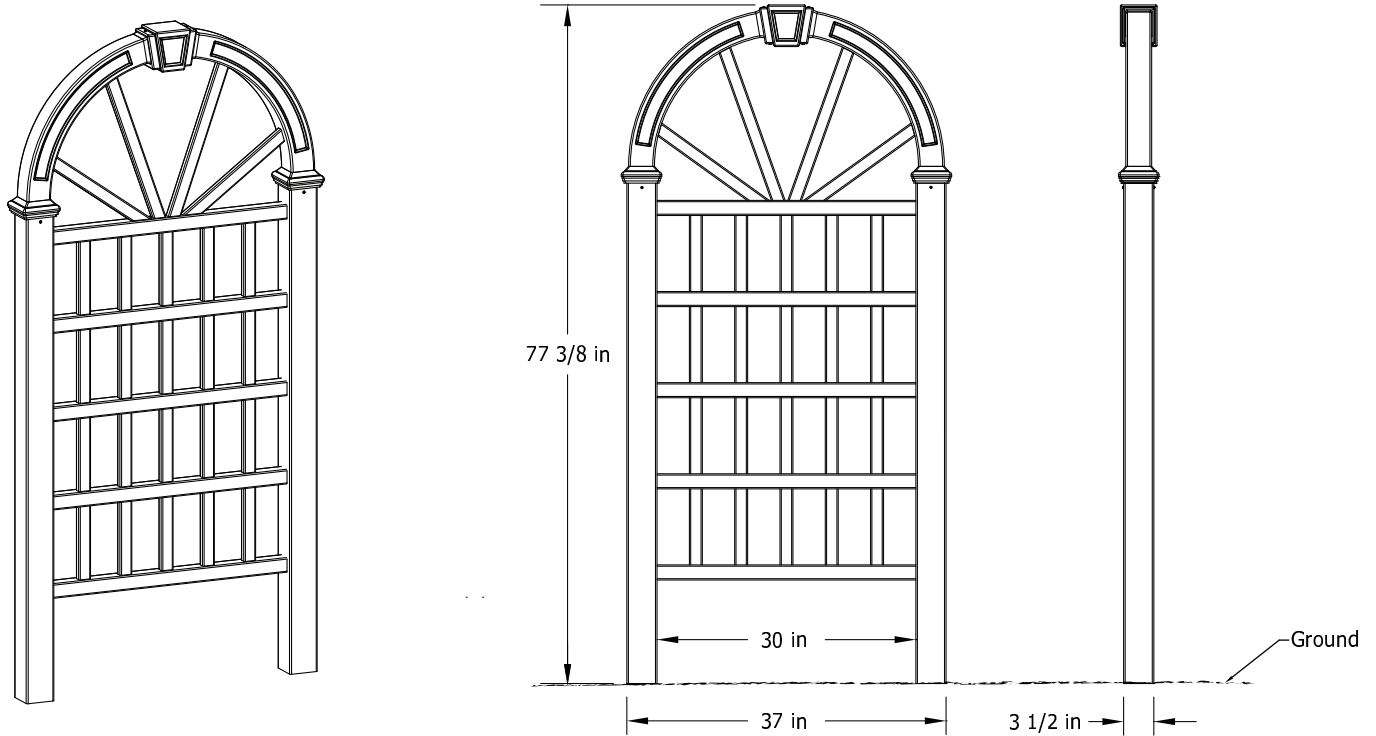


Hanover Trellis



Please read through before starting assembly.

IMPORTANT: CHECK THE INSIDE OF YOUR POSTS FOR ALL MATERIALS.

Check Box for These Contents

In the event of missing or defective parts please call our customer service department at **1 800 282 9346, ext #20** (Mon. to Fri. 8:00 AM to 4:00 PM EST).

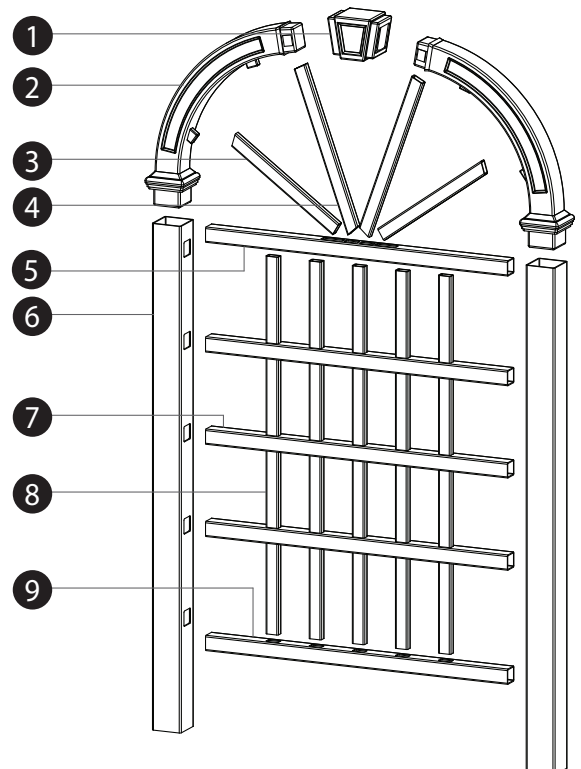
1. Keystone (1)
2. Arches (2)
3. Spindles - Short (2)
4. Spindles - Long (2)
5. Top Rail (1)
6. Posts (2)
7. Middle Rails (3)
8. Vertical Spindles (5)
9. Bottom Rail (1)
10. 1 1/2" Self-Auguring Stainless Steel Screw (8)

Tools You Will Need

- Cordless Drill
- Tape Measure
- Level
- Shovel

General Information

- **Read Instructions through carefully before beginning assembly.**
- When assembling components, place on a non-abrasive surface (i.e. shipping box) to avoid scratching.
- We recommend an area approx 5'x 8' for unobstructed assembling.
- You should not need to use excessive force when assembling component.



10

Not to Scale

STEP ONE

Assemble the Top Arch

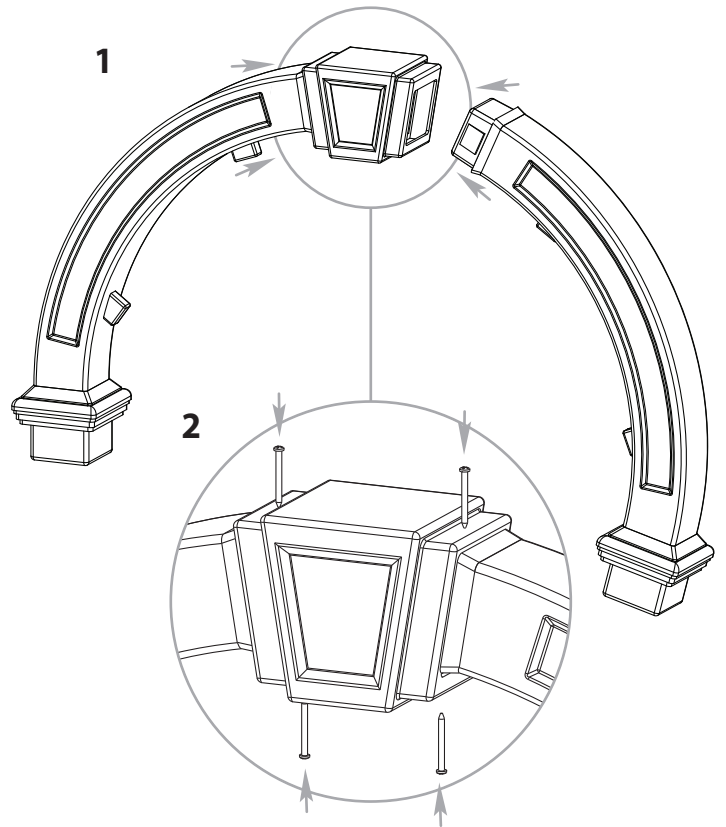
1

Take the arches and snap them onto either side of the keystone.

2

Using four screws, fasten the arches to the keystone on both sides as illustrated.

Note: All screws are self-tapping and require no pre-drilling. Set aside the assembled arch.



STEP TWO

Assemble the Trellis

1

Lay out the bottom rail. Insert the vertical spindles into the precut holes until they "bottom out".

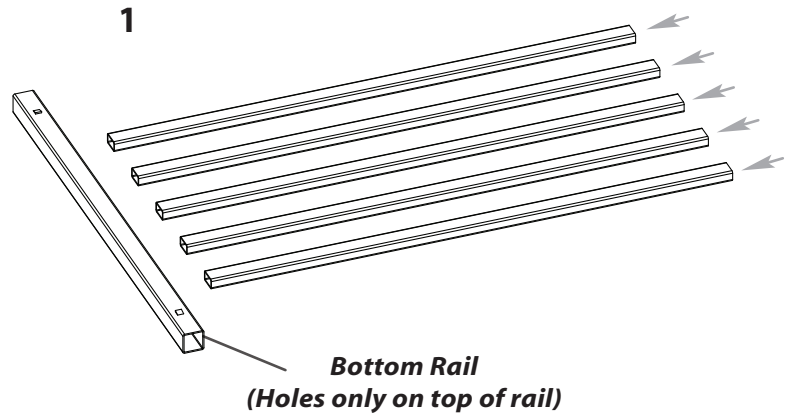
2

Slide the three middle rails onto the vertical spindles. Space the rails approximately 9" apart.

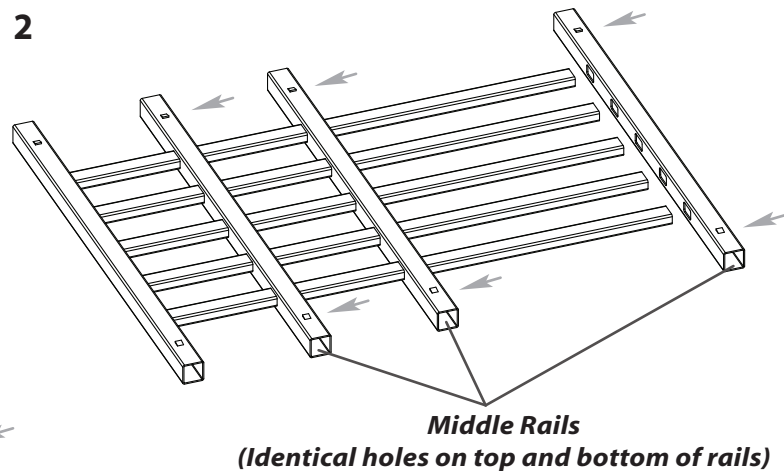
3

Finish the "ladder" by placing the top rail onto the vertical spindles.

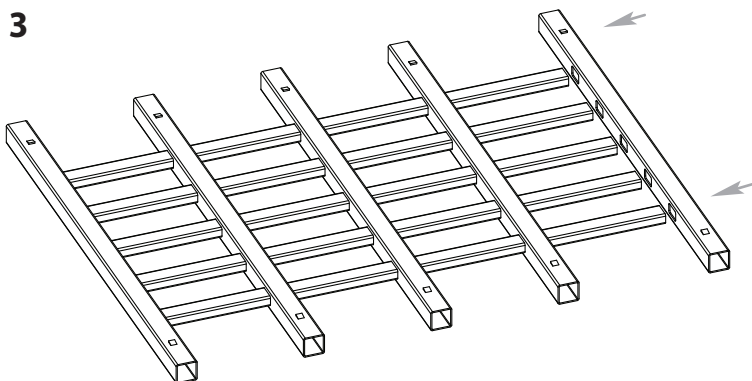
The top rail has holes on both sides, but the spindles will not go through it.



2



3



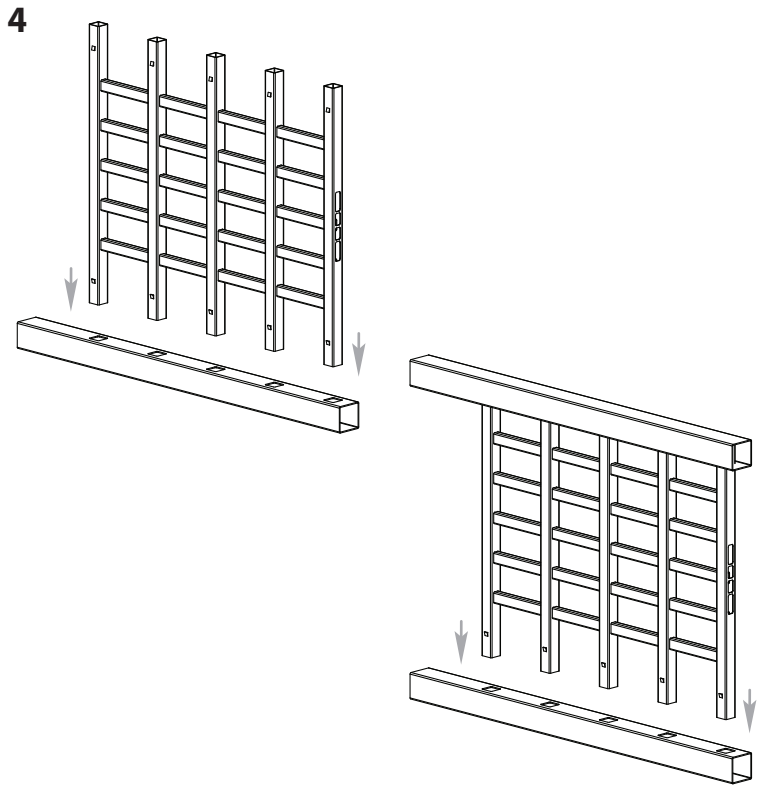
STEP TWO

Assemble the Trellis

4

Lay out one post as shown. Align the rails with the pre-routed holes in the post and push in past the locking tabs. Flip over and do the same for the other post.

Note: Make sure the long end of each post is facing the same direction. Once pushed in, the rails will lock into place. The top rail faces the short end as shown.



5

Stand the completed panel up and position the arch over the posts. Slip one of the short spindles into the closest hole in the top rail as shown. Push the opposite end onto the nearest arch socket.

6

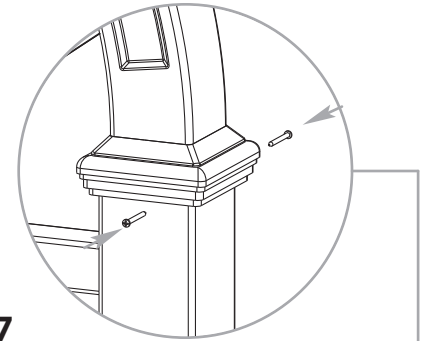
Slip one of the long spindles into the next hole in the top rail as shown. Again, push the opposite end onto the next arch socket.

Repeat steps 5 and 6 for the other two spindles.

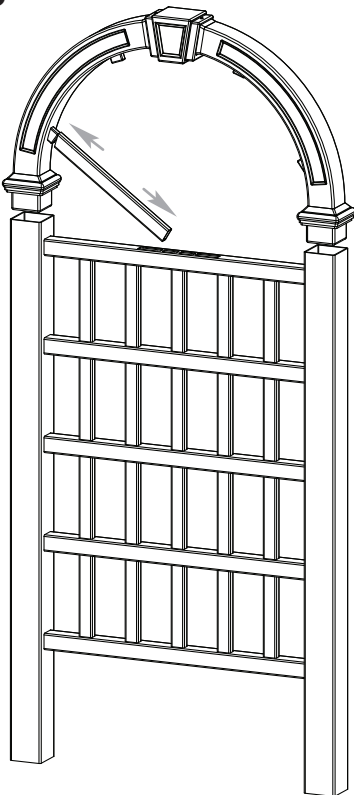
Note: Pay close attention to the angled ends of each spoke to ensure a proper fit.

7

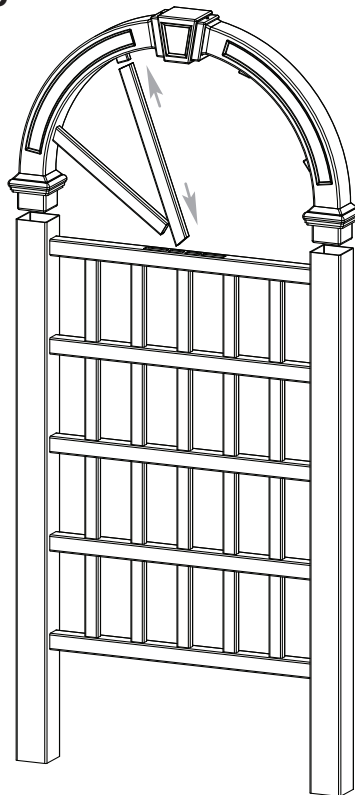
Hold one end of the arch down into the post and secure in place with two screws on two sides of the post. Position the screws directly under the arch cap to ensure proper attachment to the arch. Repeat for the opposite side.



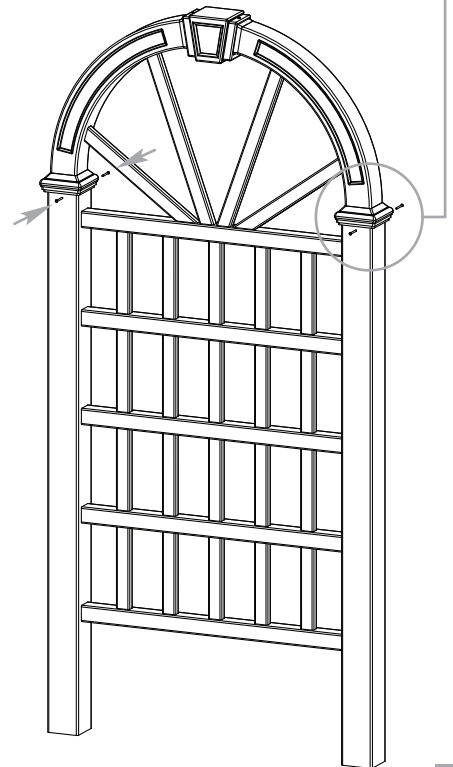
5



6



7



STEP THREE

Install Trellis into Ground

A

Move the trellis to its final location. When you are satisfied with the location, mark the positions of the posts, then move the trellis aside and carefully lay it on its side. Excavate the two posts holes approximately 12" deep x 5" diameter.

B

Insert pressure treated wood into the trellis post. Set the trellis into position, and use a level to check the posts. Once you are satisfied with the orientation, backfill the holes.

C

Optional: for a sturdier installation, pour concrete into the excavated holes to hold the posts in place.

